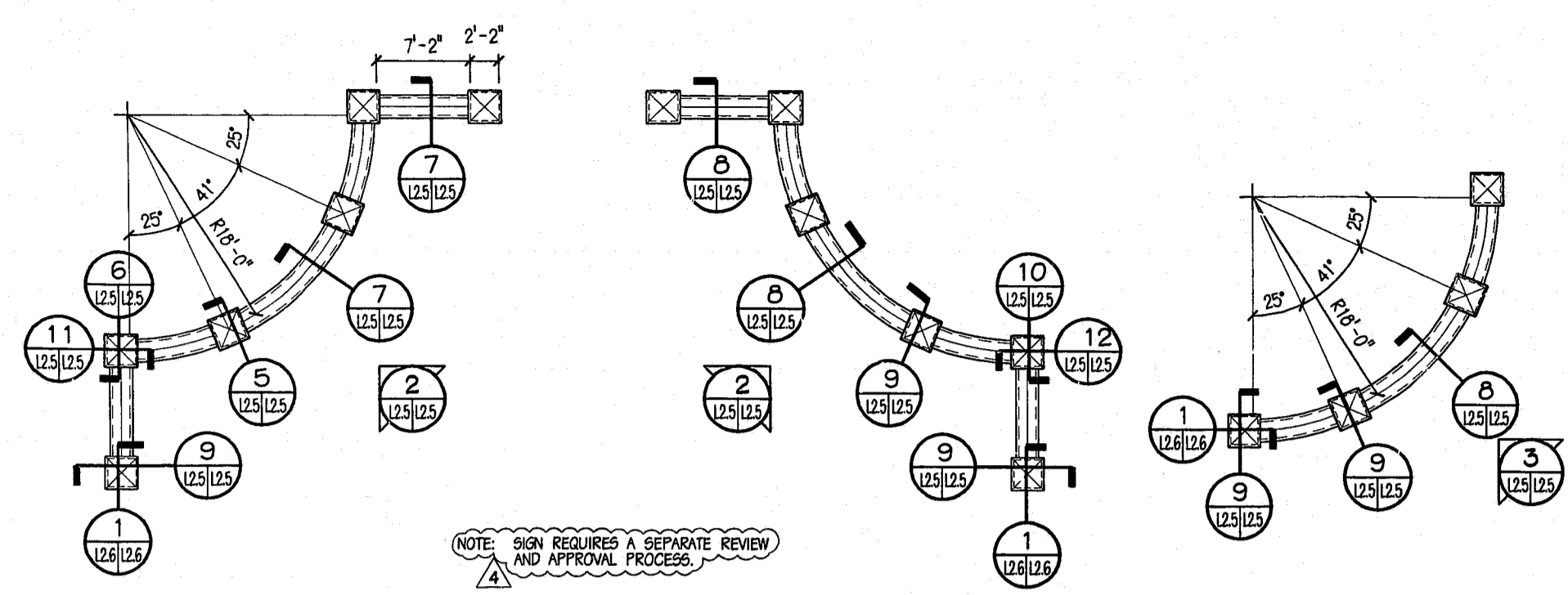
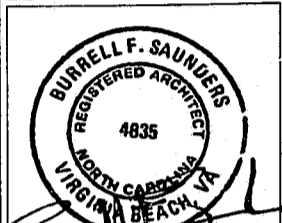


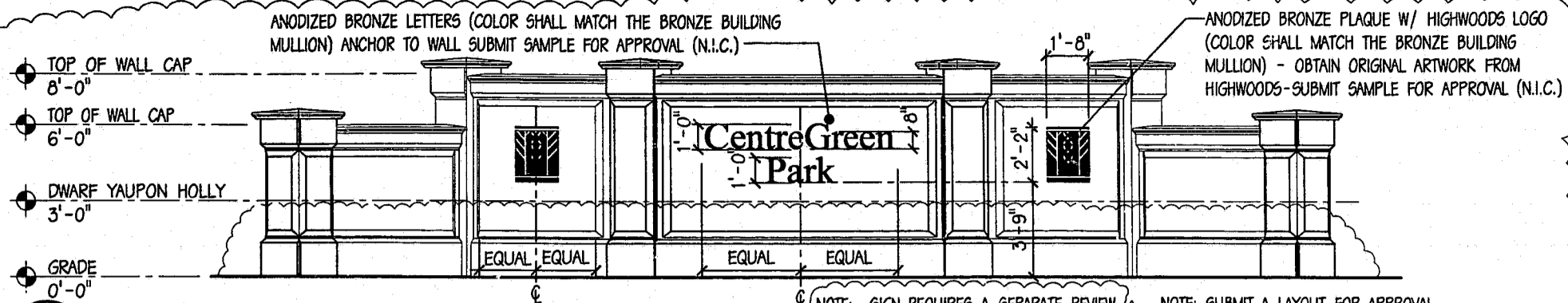
1	4/07/00
2	6/1/00
4	02/15/01 T.O.C. COMMENTS



ENTRY SIGN

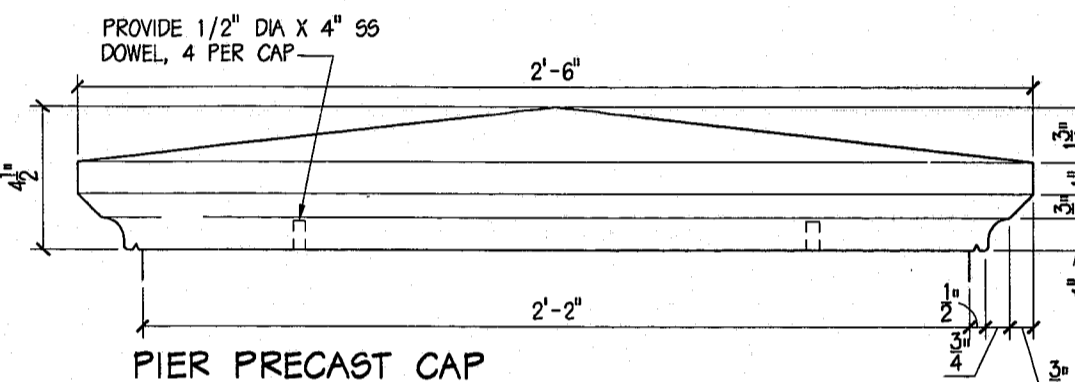
PARK SIGN

1 ENLARGED SIGN PLANS
SCALE: 1/8" = 1'-0"

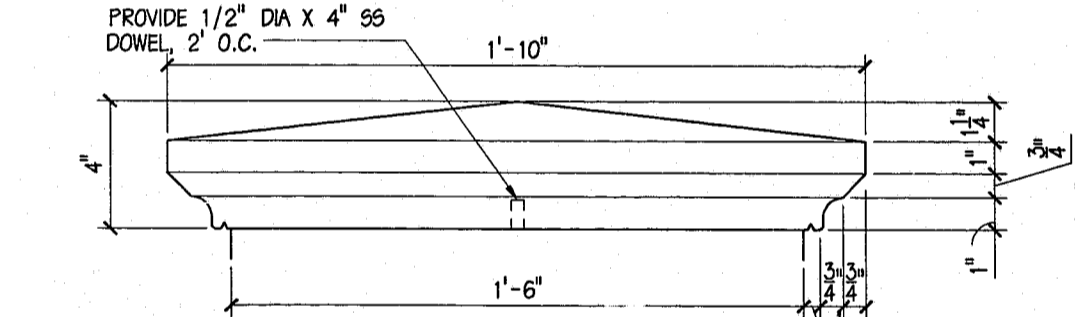


2 ENTRY SIGN ELEVATION (2 TOTAL)
SCALE: 1/4" = 1'-0"

3 CENTRAL PARK SIGN ELEVATION (1 TOTAL)
SCALE: 1/4" = 1'-0"

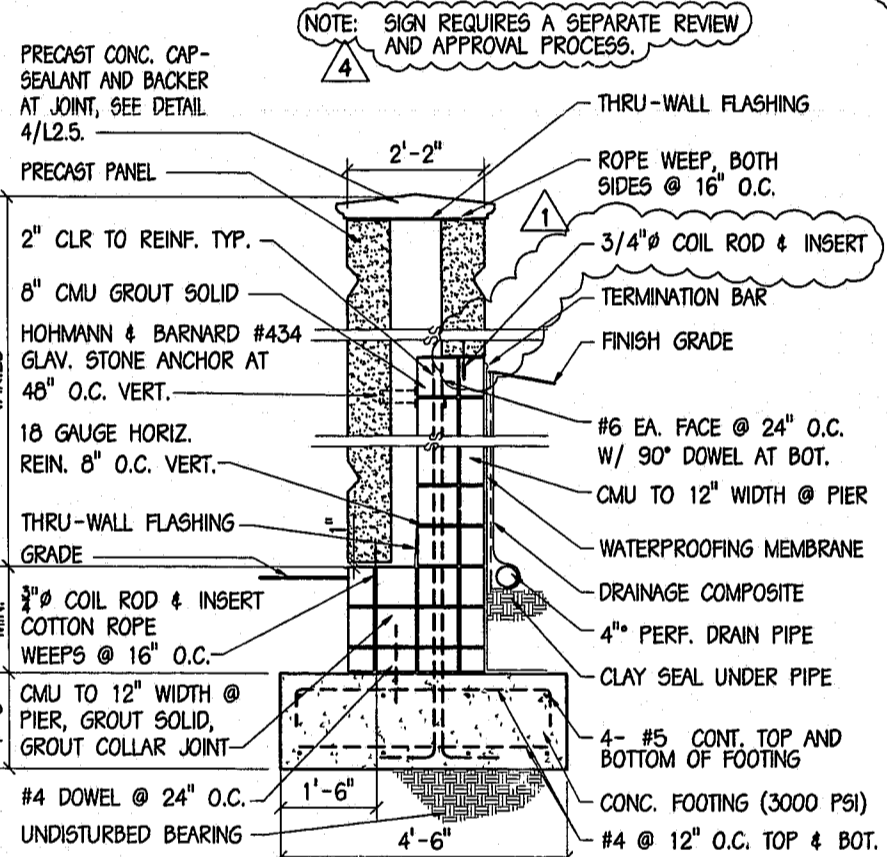


PIER PRECAST CAP

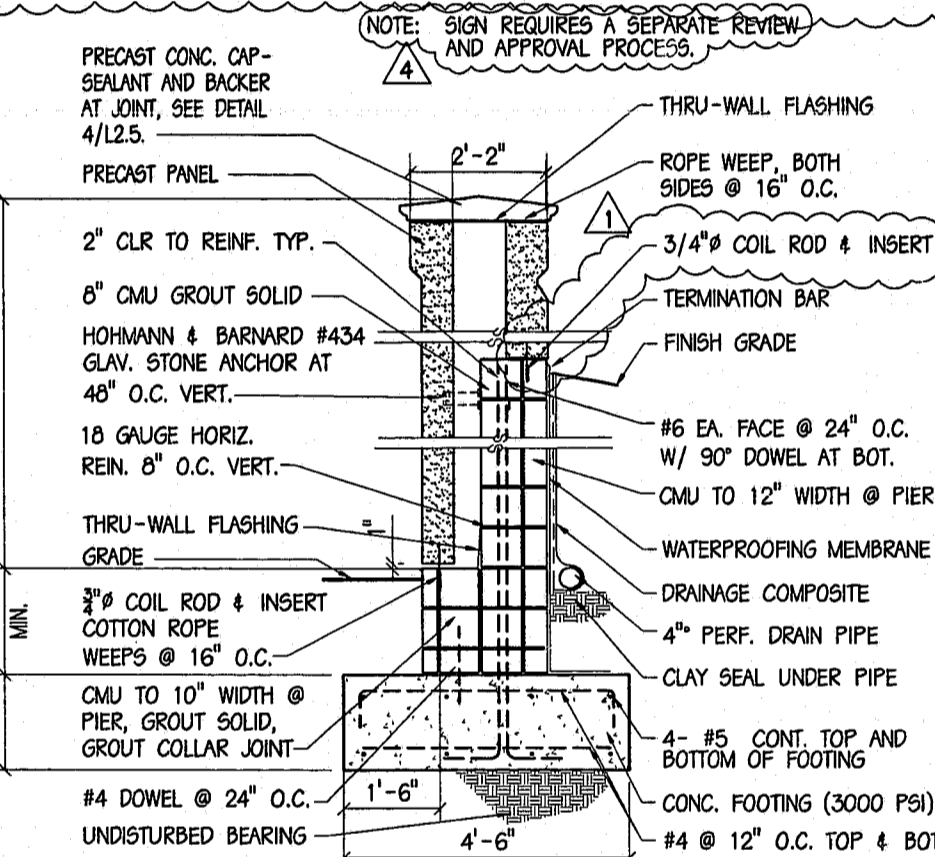


WALL PRECAST CAP

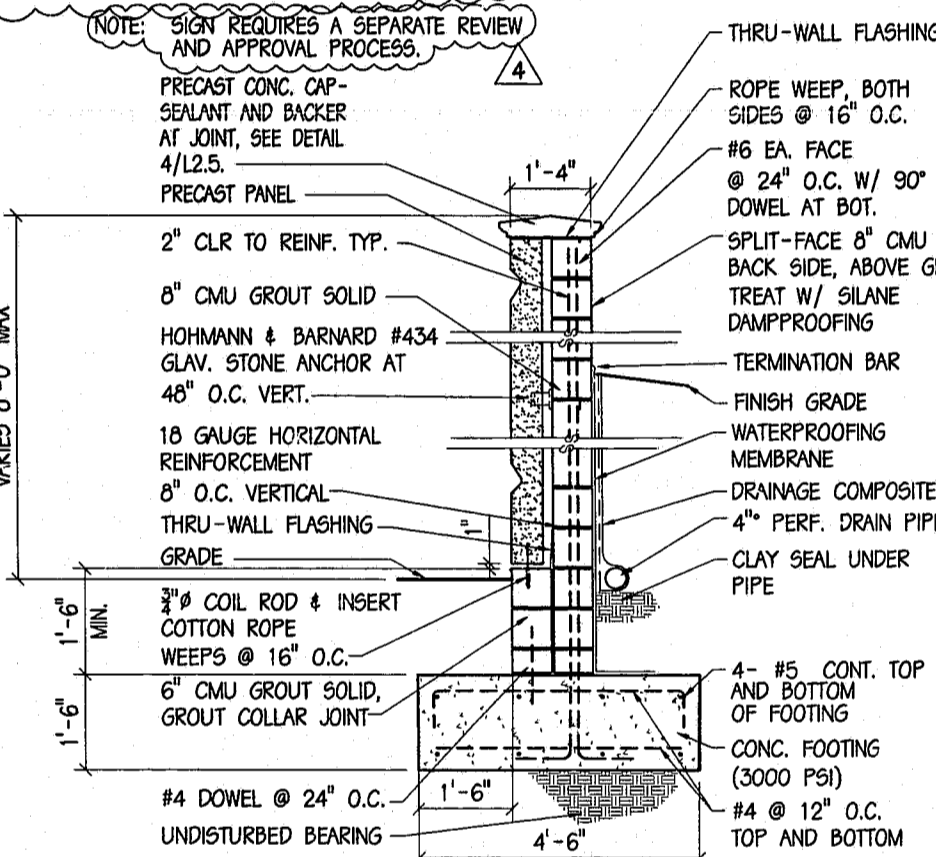
4 PRECAST CAP DETAILS
SCALE: 3" = 1'-0"



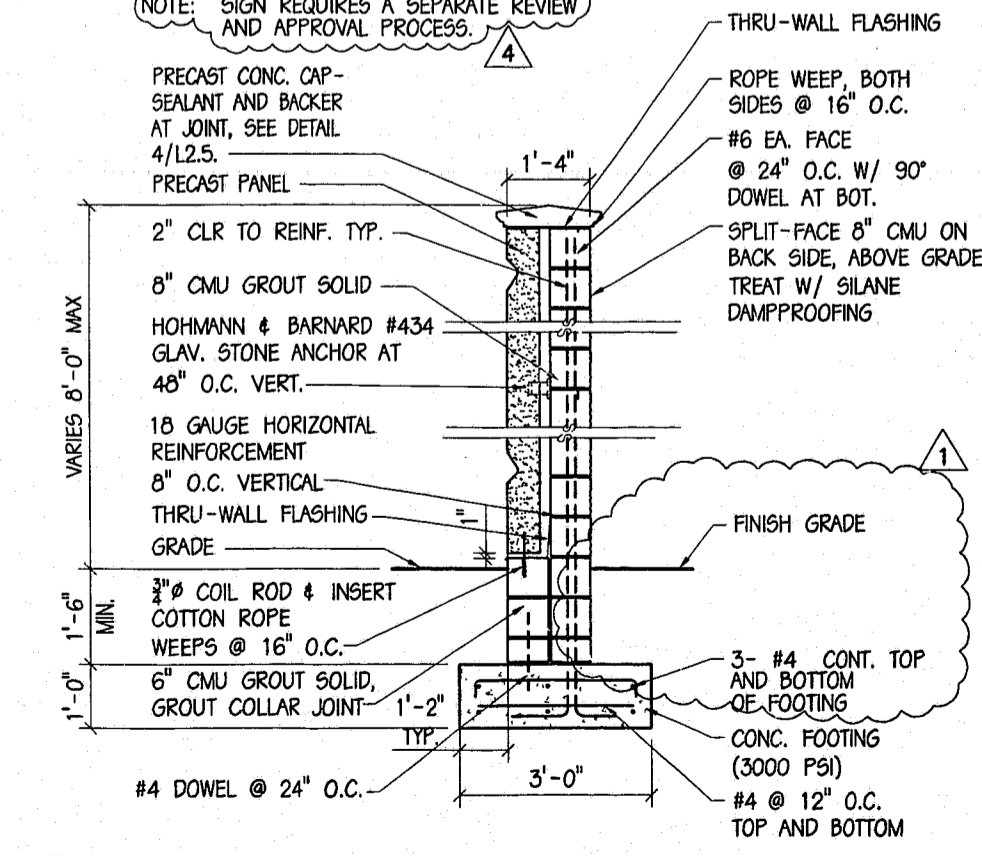
5 SECTION @ RETAINING SIGN PIER
SCALE: 1/2" = 1'-0"



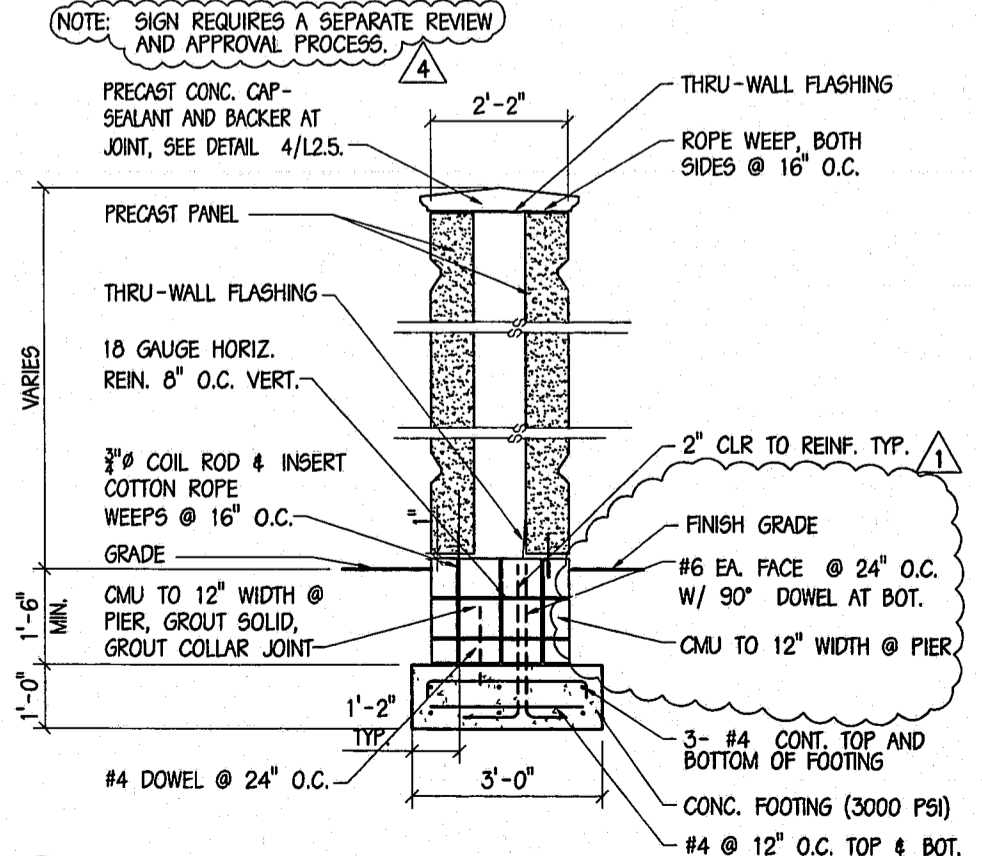
6 SECTION @ RETAINING SIGN PIER
SCALE: 1/2" = 1'-0"



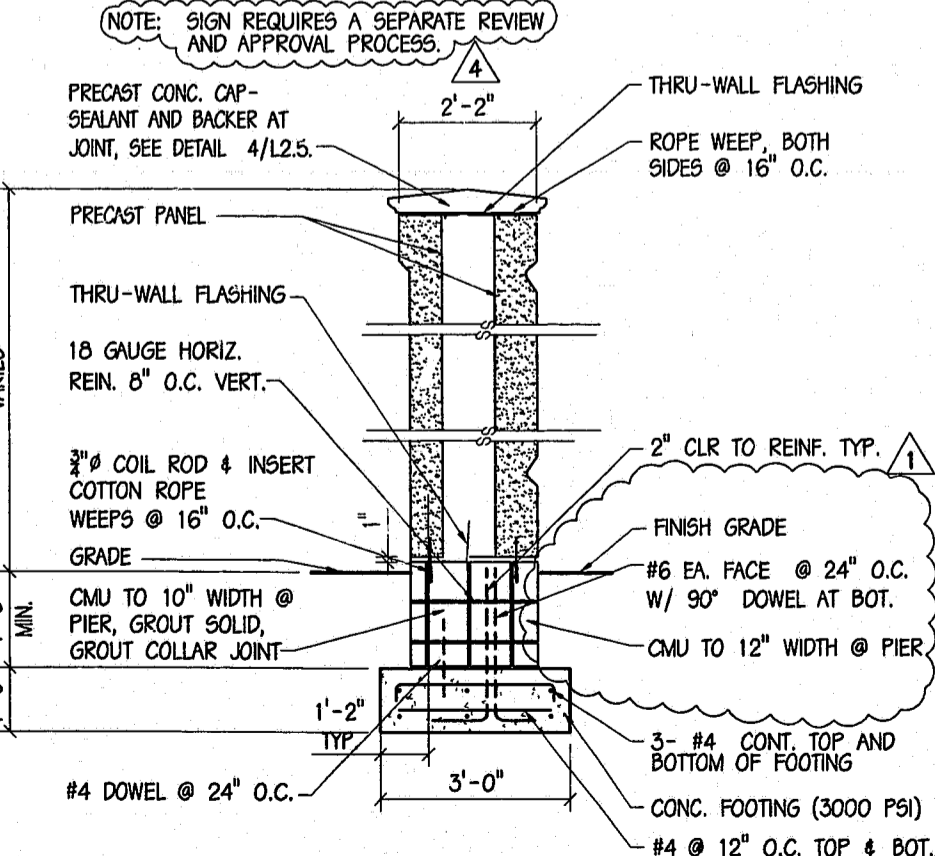
7 SECTION @ RETAINING SIGN WALL
SCALE: 1/2" = 1'-0"



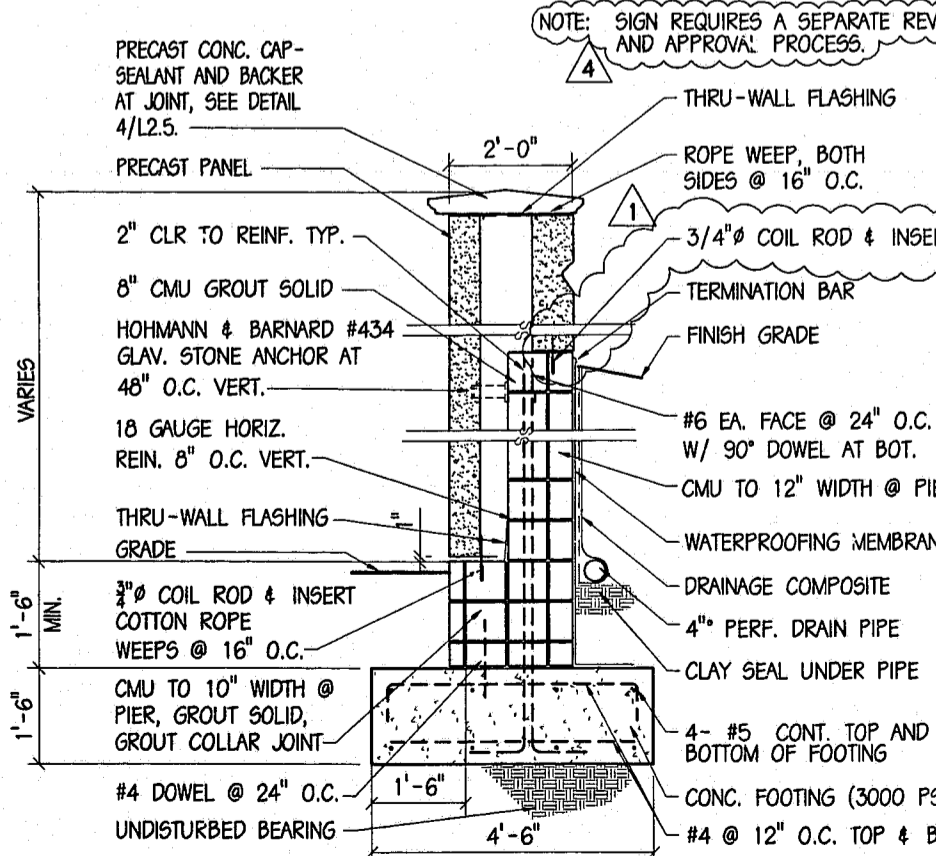
8 SECTION @ SIGN WALL
SCALE: 1/2" = 1'-0"



9 SECTION @ SIGN PIER
SCALE: 1/2" = 1'-0"



10 SECTION @ SIGN PIER
SCALE: 1/2" = 1'-0"



11 SECTION @ RETAINING SIGN PIER
SCALE: 1/2" = 1'-0"

CENTRAL PARK AT CENTREGREEN
CARY, NORTH CAROLINA
900 CENTREGREEN WAY

SIGN PLANS & SECTIONS

PROJECT NO. 99-137

L2.5

HARDSCAPE PLAN
SHEET OF