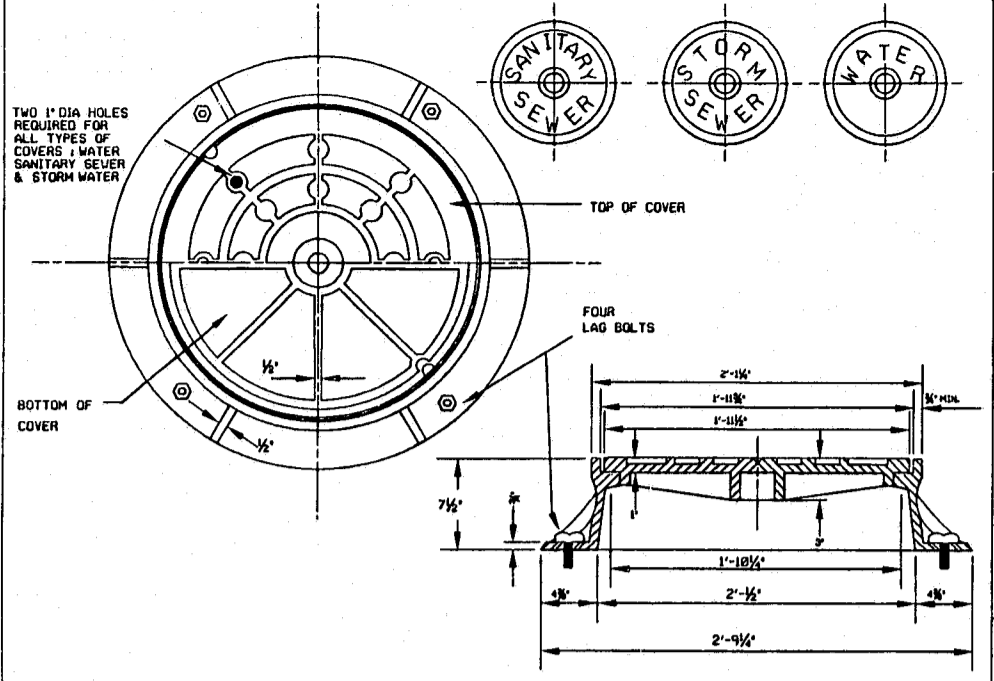
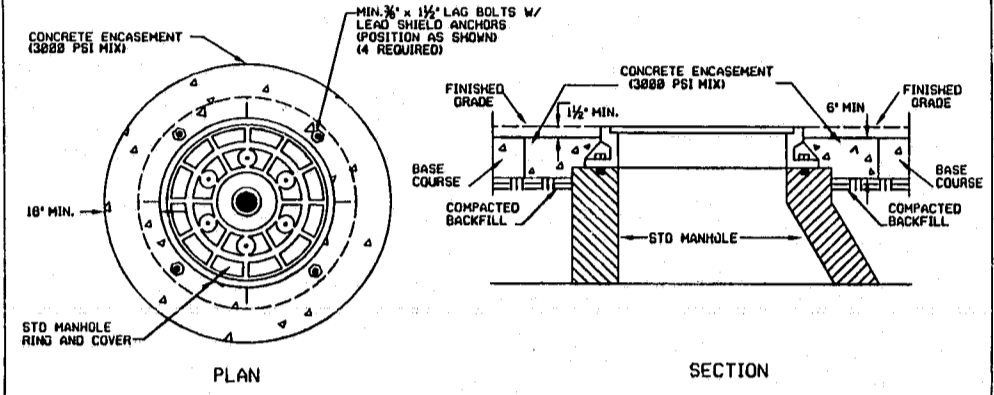


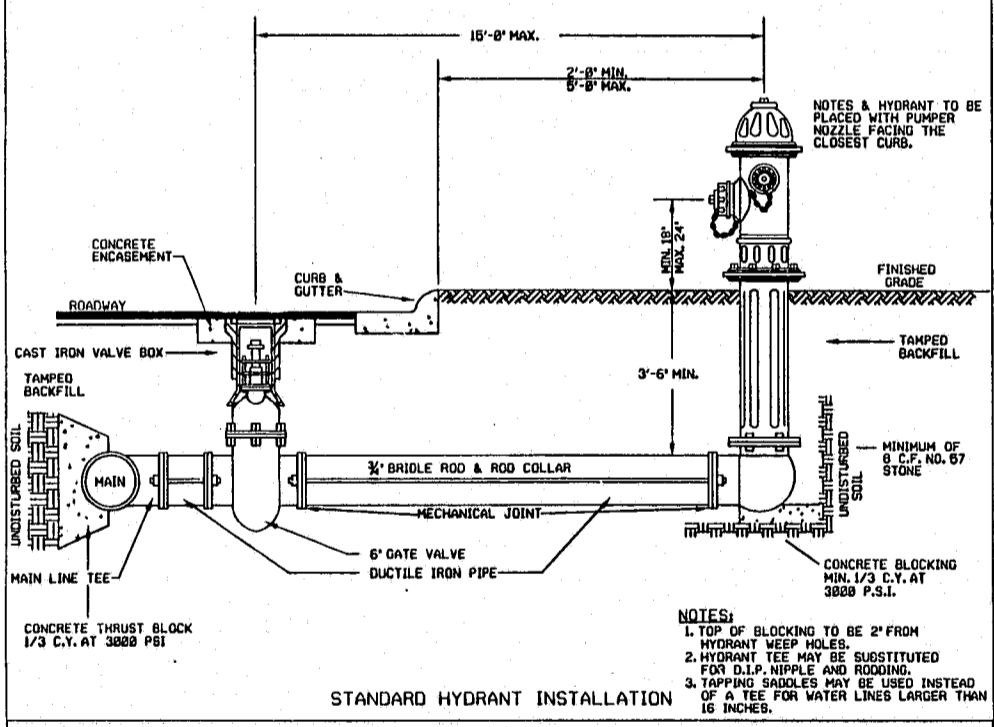
© JERRY TURNER & ASSOCIATES, INC. THIS DOCUMENT IS THE PROPERTY OF JERRY TURNER & ASSOCIATES, INC. ALL RIGHTS ARE RESERVED AND ANY REPRODUCTION, REPRODUCTION OR OTHER USE OF THIS DOCUMENT WITHOUT THE PRIOR PERMISSION OF JERRY TURNER & ASSOCIATES IS EXPRESSLY PROHIBITED.



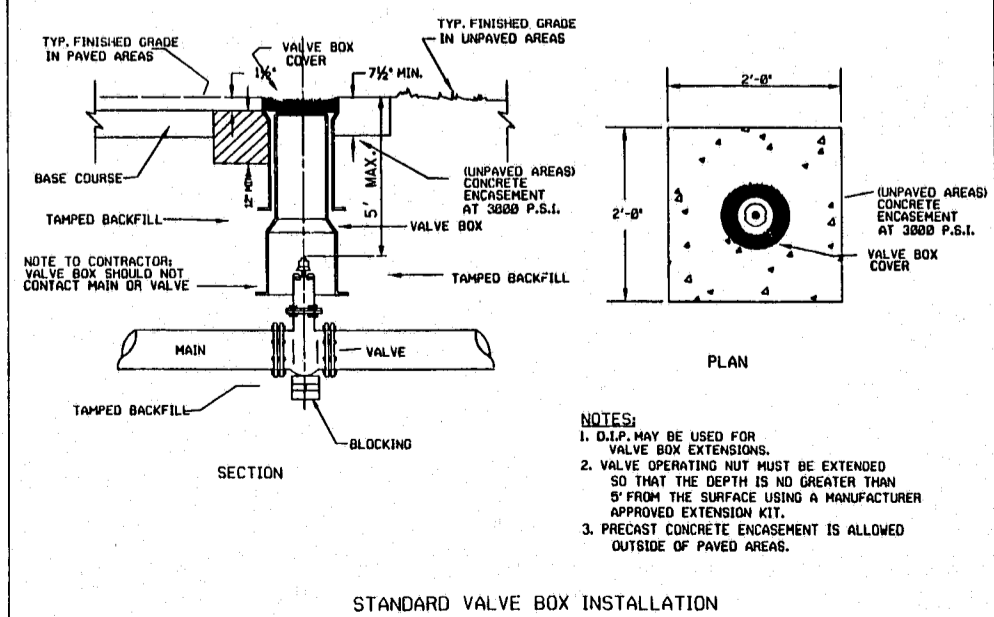
STANDARD MANHOLE RING AND COVER



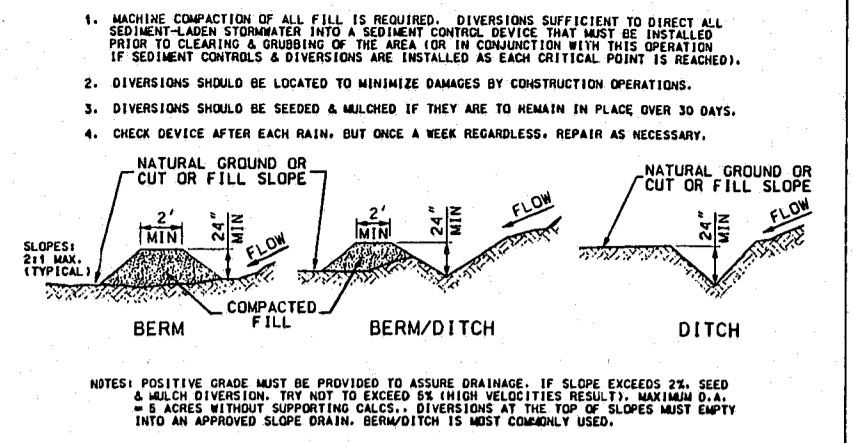
STANDARD MANHOLE RING AND COVER ENCASEMENT



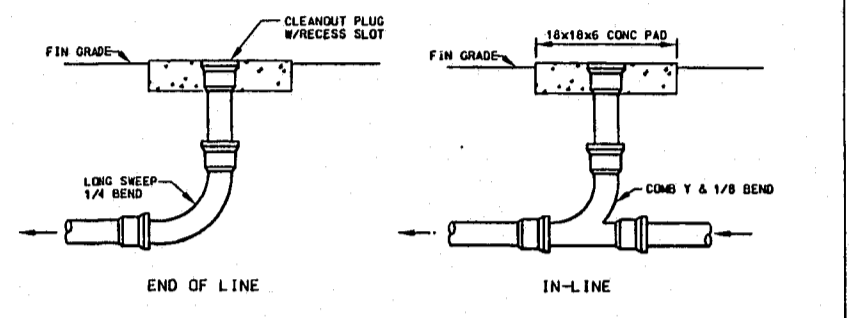
STANDARD HYDRANT INSTALLATION



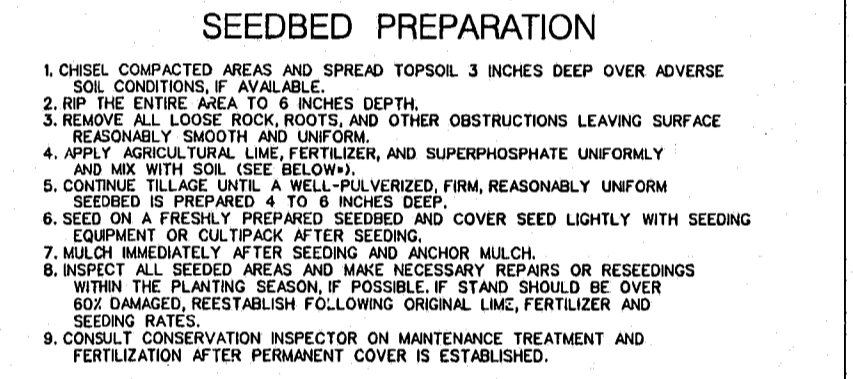
STANDARD VALVE BOX INSTALLATION



TEMPORARY DIVERSION BERM / DITCH



EXTERIOR CLEANOUT

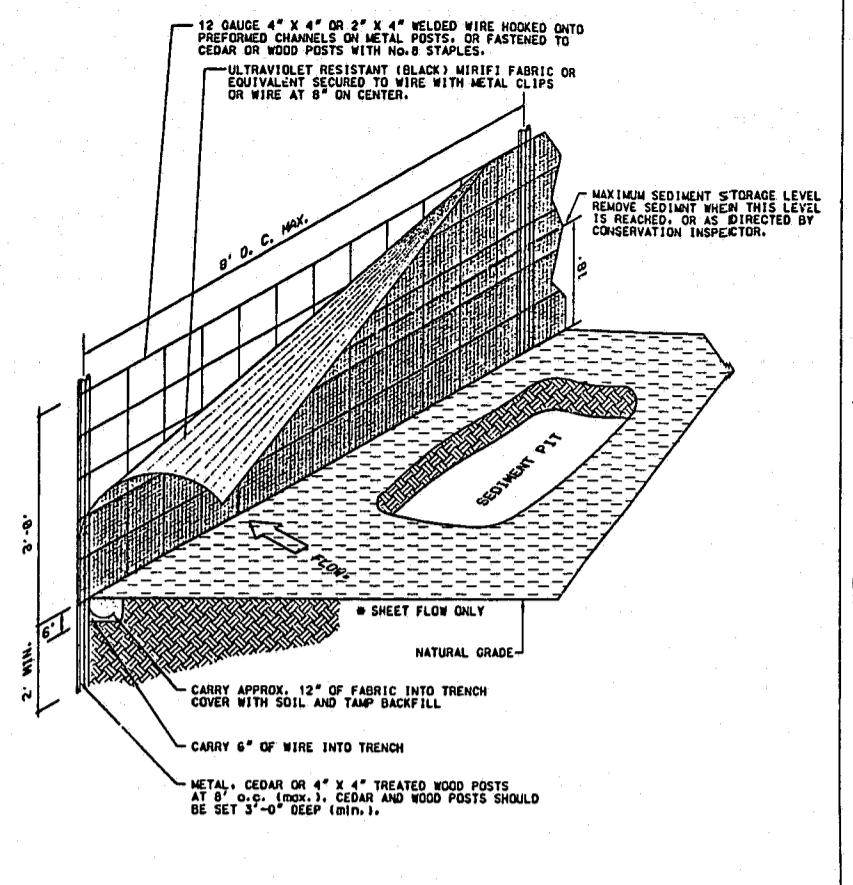


SEEDING SCHEDULE

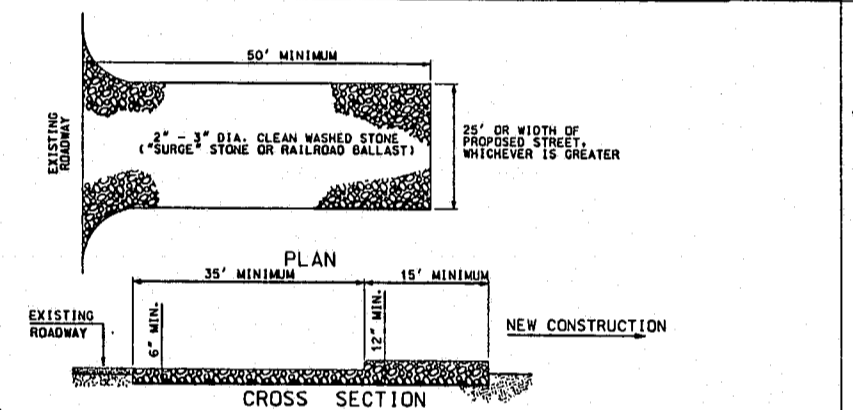
DATE	TYPE	PLANTING RATE
AUG. 15 - NOV. 1	TALL FESCUE	300 LBS./ACRE
NOV. 1 - MAR. 1	TALL FESCUE	300 LBS./ACRE
MAR. 1 - APR. 15	TALL FESCUE & ABRUZZI RYE	25 LBS./ACRE
APR. 15 - JUN. 30	TALL FESCUE	300 LBS./ACRE
JUN. 1 - SEP. 1	HULLED COMMON BERMU DAGGRASS	25 LBS./ACRE
JUL. 1 - AUG. 15	TALL FESCUE AND BROWN MILLET	125 LBS./ACRE
	BROWN MILLET	35 LBS./ACRE
	BROWN MILLET	35 LBS./ACRE
SEP. 1 - MAR. 1	SERICEA LESPEDEZA (HULLED-UNSCARIFIED) TO LBS./ACRE	120 LBS./ACRE
NOV. 1 - MAR. 1	ADD ABRUZZI RYE	25 LBS./ACRE

CONSULT CONSERVATION ENGINEER OR SOIL CONSERVATION SERVICE FOR ADDITIONAL INFORMATION CONCERNING OTHER ALTERNATIVES FOR VEGETATION OF DENIED AREAS. THE ABOVE VEGETATION RATES ARE THOSE WHICH DO WELL UNDER LOCAL CONDITIONS; OTHER SEEDING RATE COMBINATIONS ARE POSSIBLE.

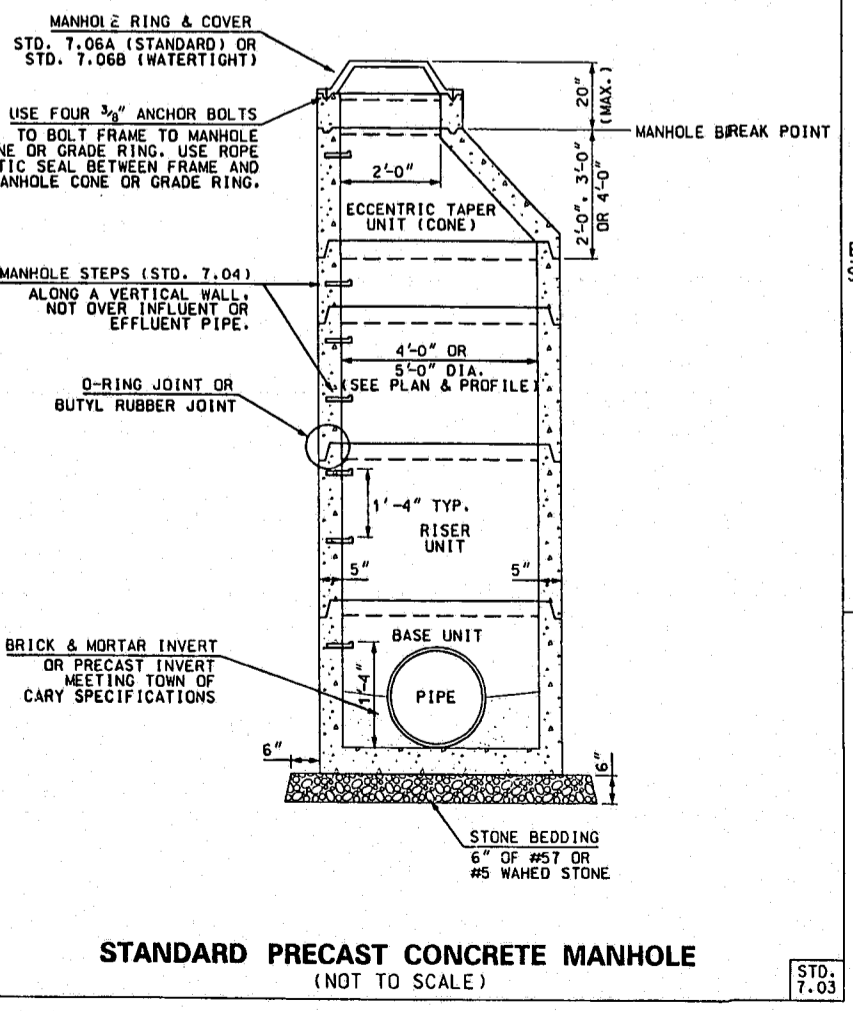
***TEMPORARY - RESEED ACCORDING TO OPTIMUM SEASON FOR DESIRED PERMANENT VEGETATION. DO NOT ALLOW TEMPORARY COVER TO GROW OVER 12" IN HEIGHT BEFORE MOWING, OTHERWISE FESCUE MAY BE SHADED OUT.



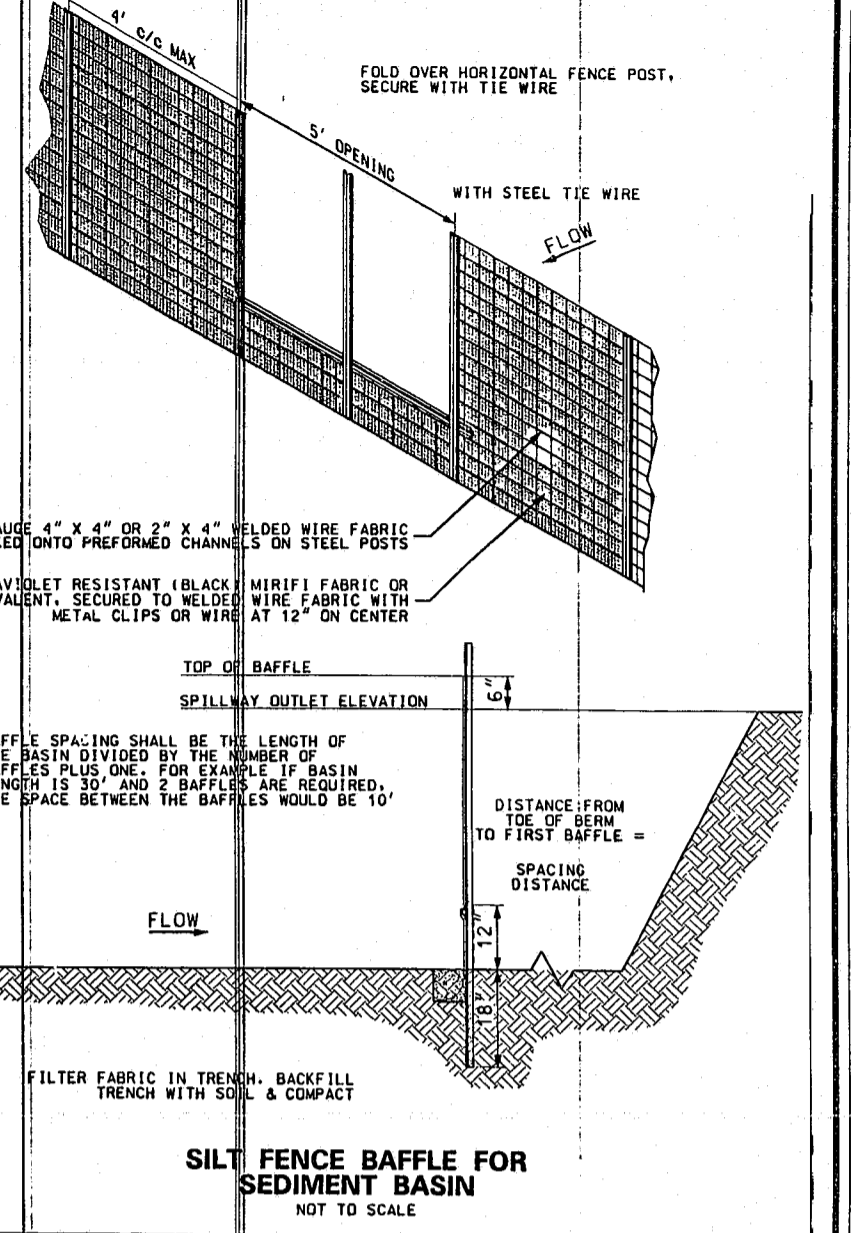
SILT FENCE NOT TO SCALE



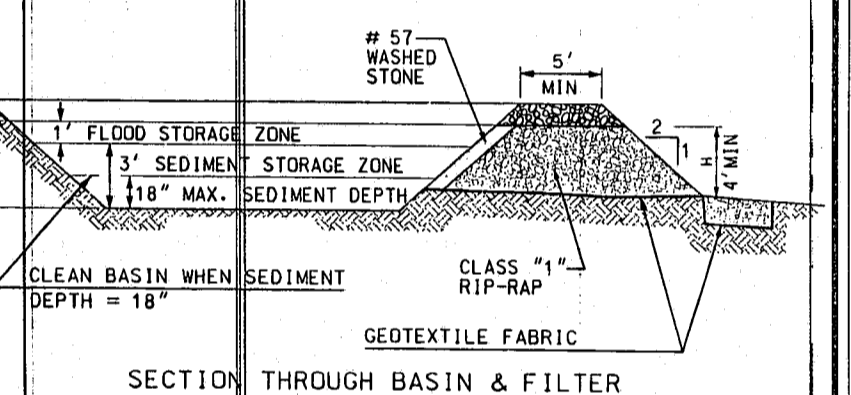
CONSTRUCTION ENTRANCE



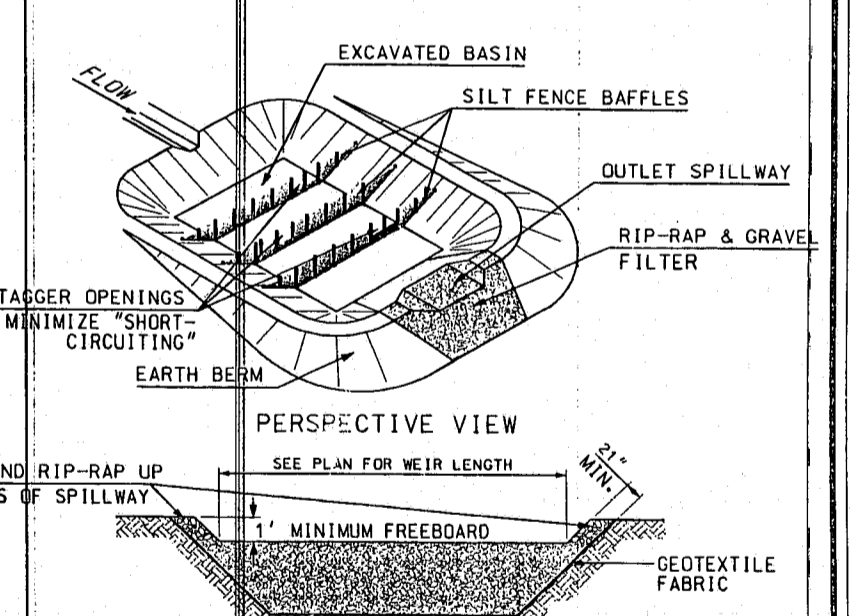
STANDARD PRECAST CONCRETE MANHOLE (NOT TO SCALE)



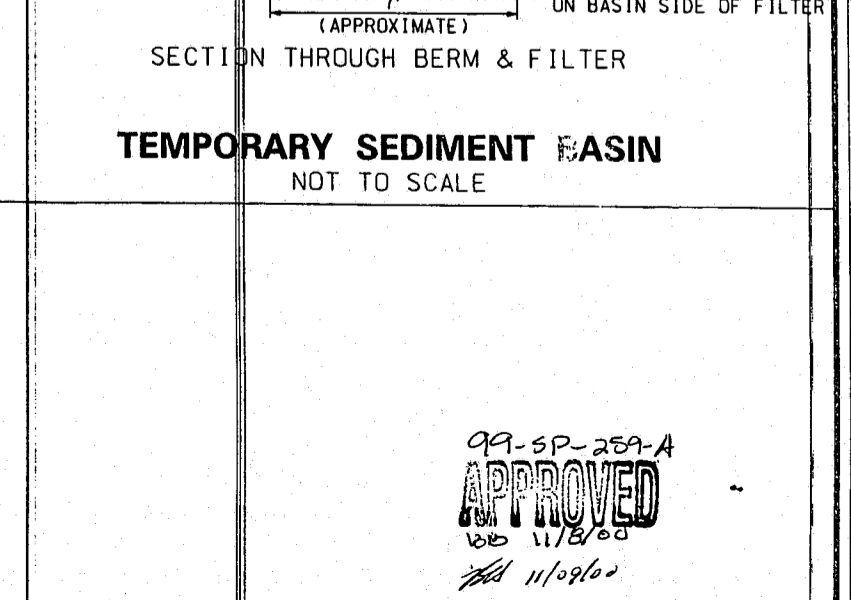
SILT FENCE BAFFLE FOR SEDIMENT BASIN NOT TO SCALE



SECTION THROUGH BASIN & FILTER



TEMPORARY SEDIMENT BASIN NOT TO SCALE



SECTION THROUGH BERM & FILTER

JTA INC
JERRY TURNER & ASSOCIATES, INC.
 Landscape Architecture
 Land Planning
 Environmental Design

905 Jones Franklin Road
 Raleigh, North Carolina 27606
 (919) 851-7150 fax: (919) 851-7547

277 S.E. 5th Avenue
 Delray Beach, Florida 33483
 (561) 276-0453 fax: (561) 272-7593

CROSSROADS FORD SERVICE CENTER
 1660 PINEY PLAINES ROAD
 CARY, NORTH CAROLINA

BNK
 BASS, NIXON, & KENNEDY, INC.
 CONSULTING ENGINEERS
 7416 CHAPEL HILL ROAD
 RALEIGH, NC 27607
 PHONE: (919) 851-4422
 FAX: (919) 851-8968

REVISIONS
 MARCH 6, 2000
 APRIL 17, 2000
 SEPTEMBER 18, 2000

DRAWN _____ CHECKED _____
 BGB WHM
 SCALE _____ DATE _____
 AS NOTED 12/06/99
 TITLE _____

SITE DETAILS (1 of 2)

FILE NO. _____ JOB NO. _____
 JTA # 2351.02
 BNK # 99472000

SEAL _____ SHEET NO. _____

SITE-6
 11/18/00
 11/18/00