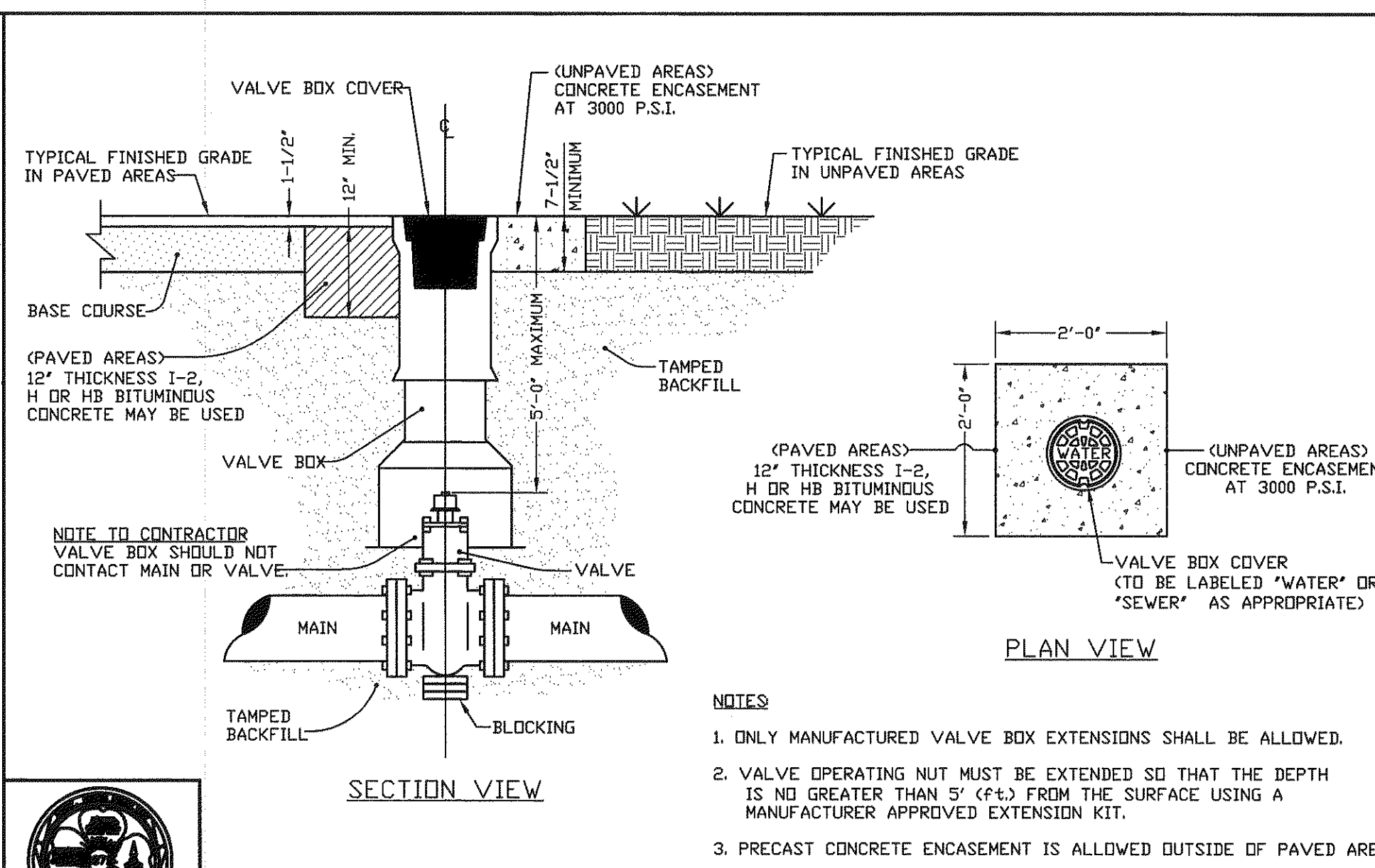
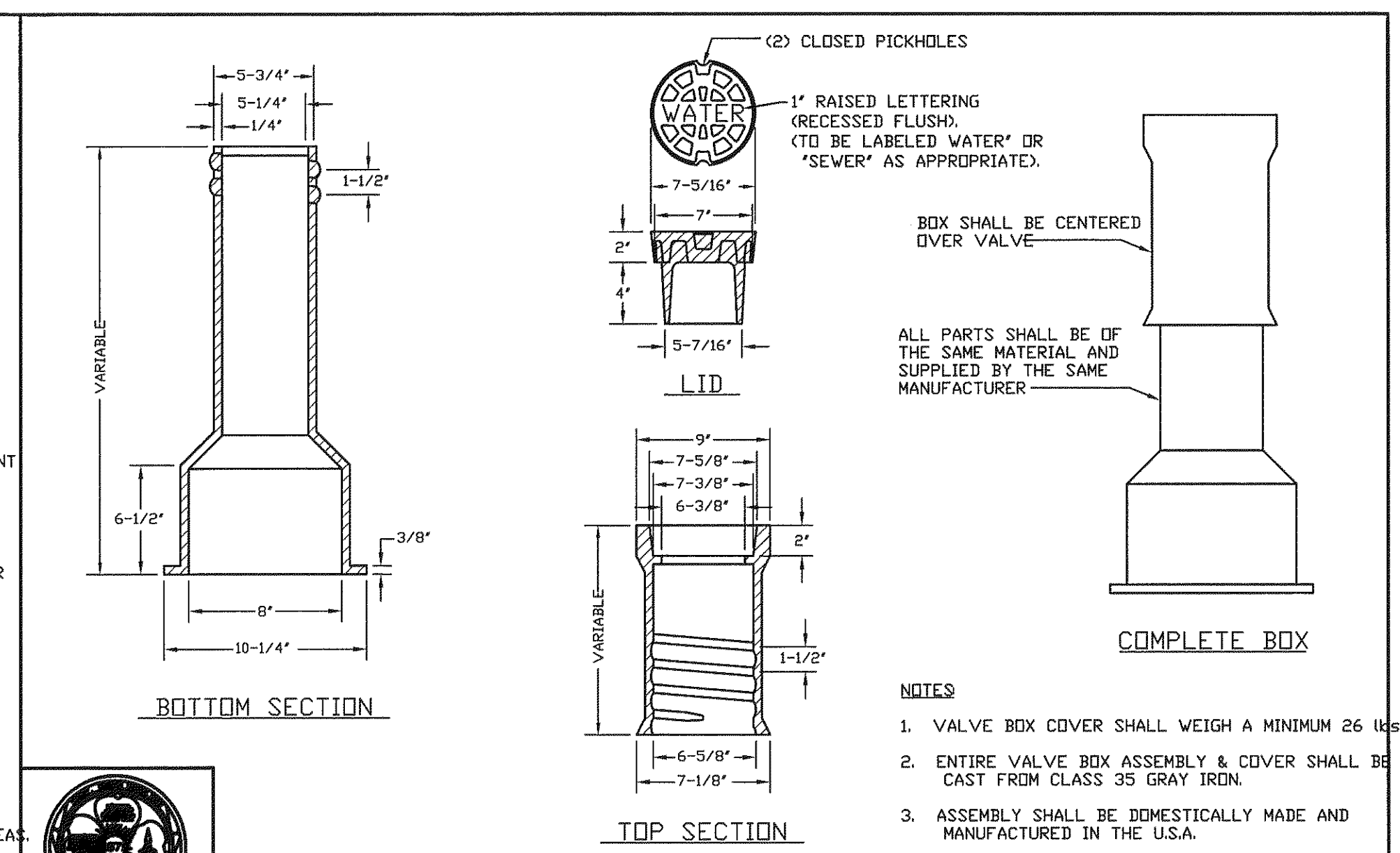


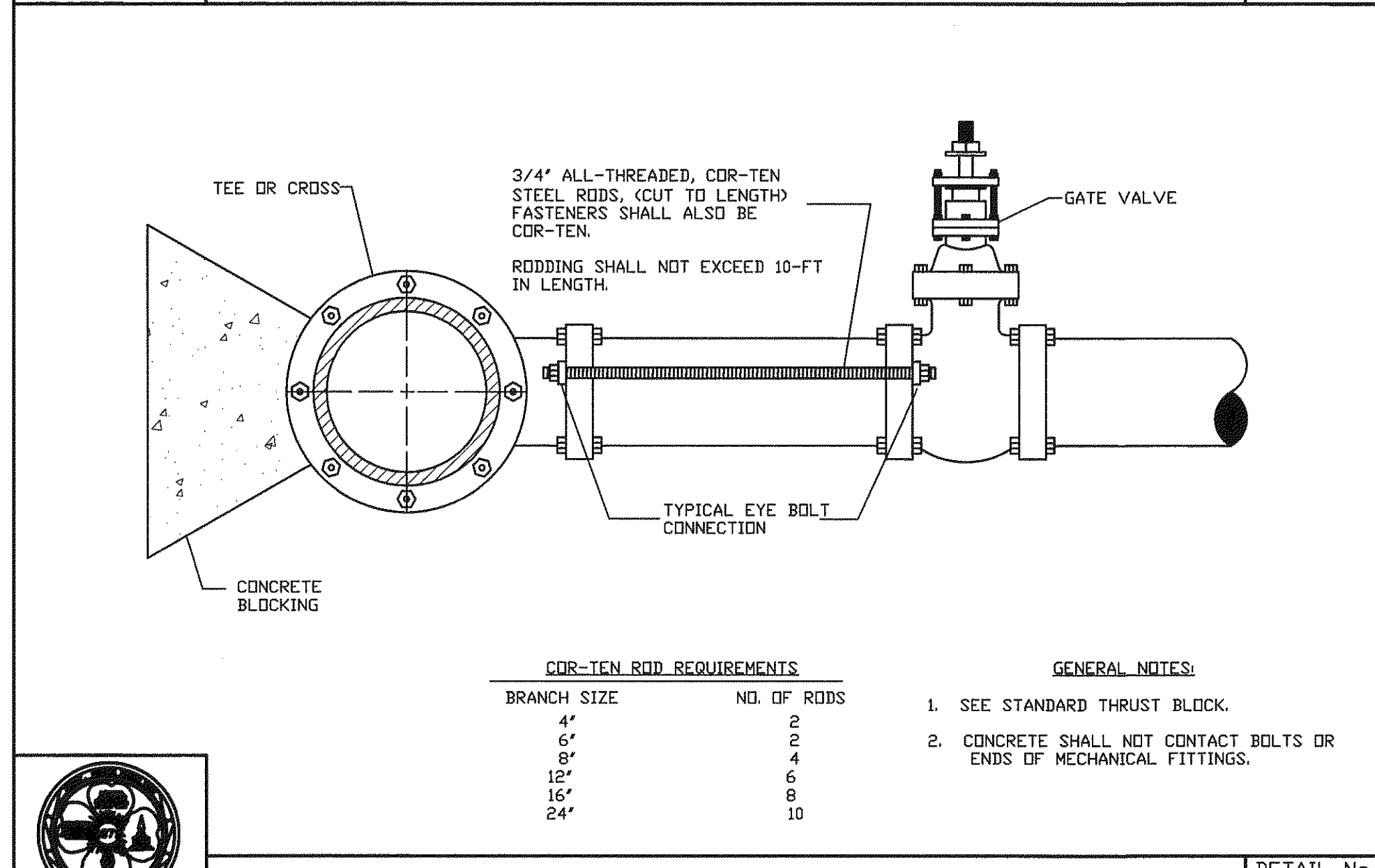
**STANDARD HYDRANT INSTALLATION**  
 DETAIL No. 06000.06  
 SHEET 1 OF 1  
 EFFECTIVE: 09/08/05



**STANDARD VALVE BOX INSTALLATION**  
 DETAIL No. 06000.08  
 SHEET 1 OF 2  
 EFFECTIVE: 07/01/04



**STANDARD VALVE BOX INSTALLATION**  
 DETAIL No. 06000.08  
 SHEET 2 OF 2  
 EFFECTIVE: 07/01/04



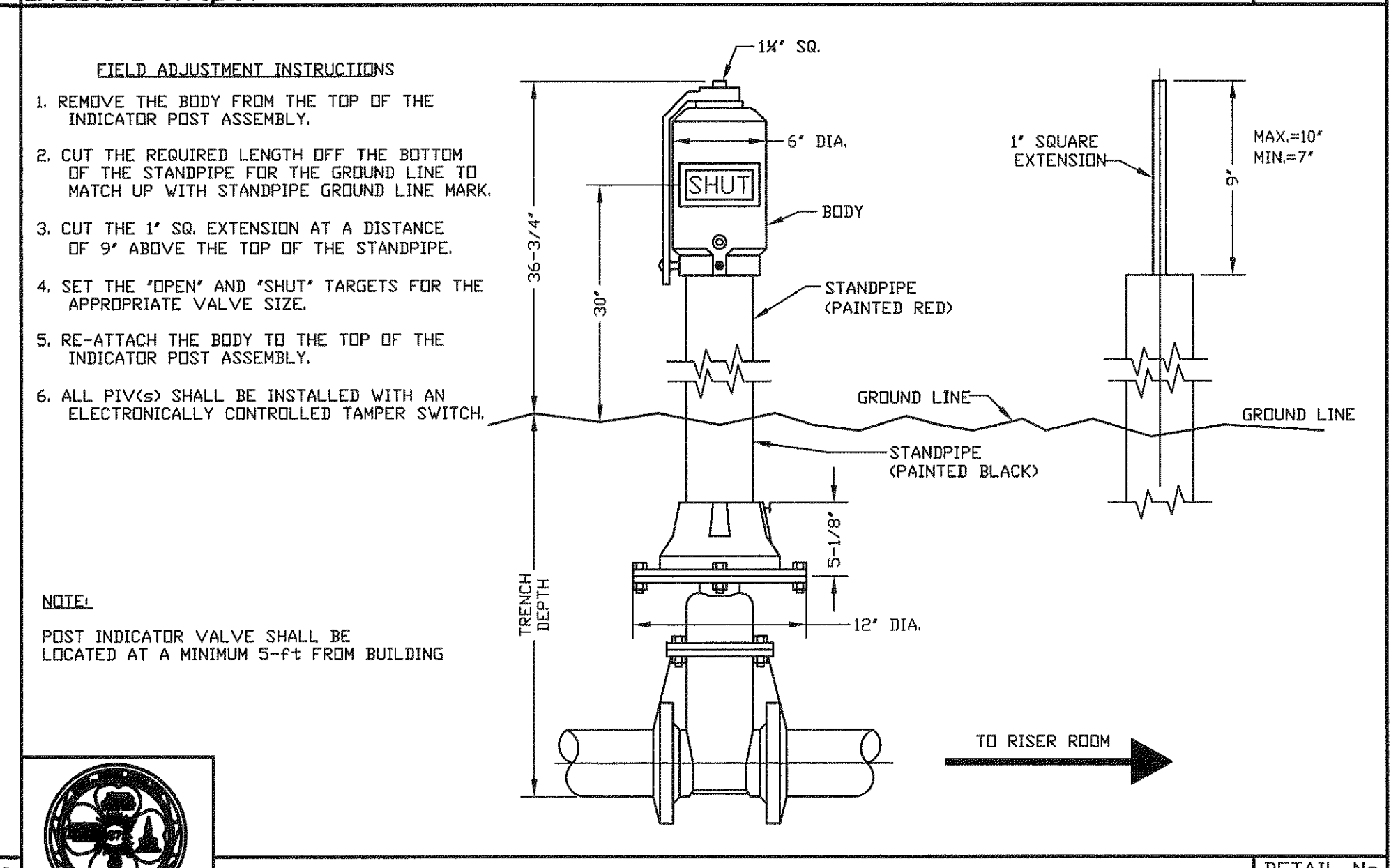
**STANDARD VALVE RODDING**  
 DETAIL No. 06000.09  
 SHEET 1 OF 1  
 EFFECTIVE: 09/08/05

**MINIMUM CONCRETE BLOCKING (C.Y.) \***

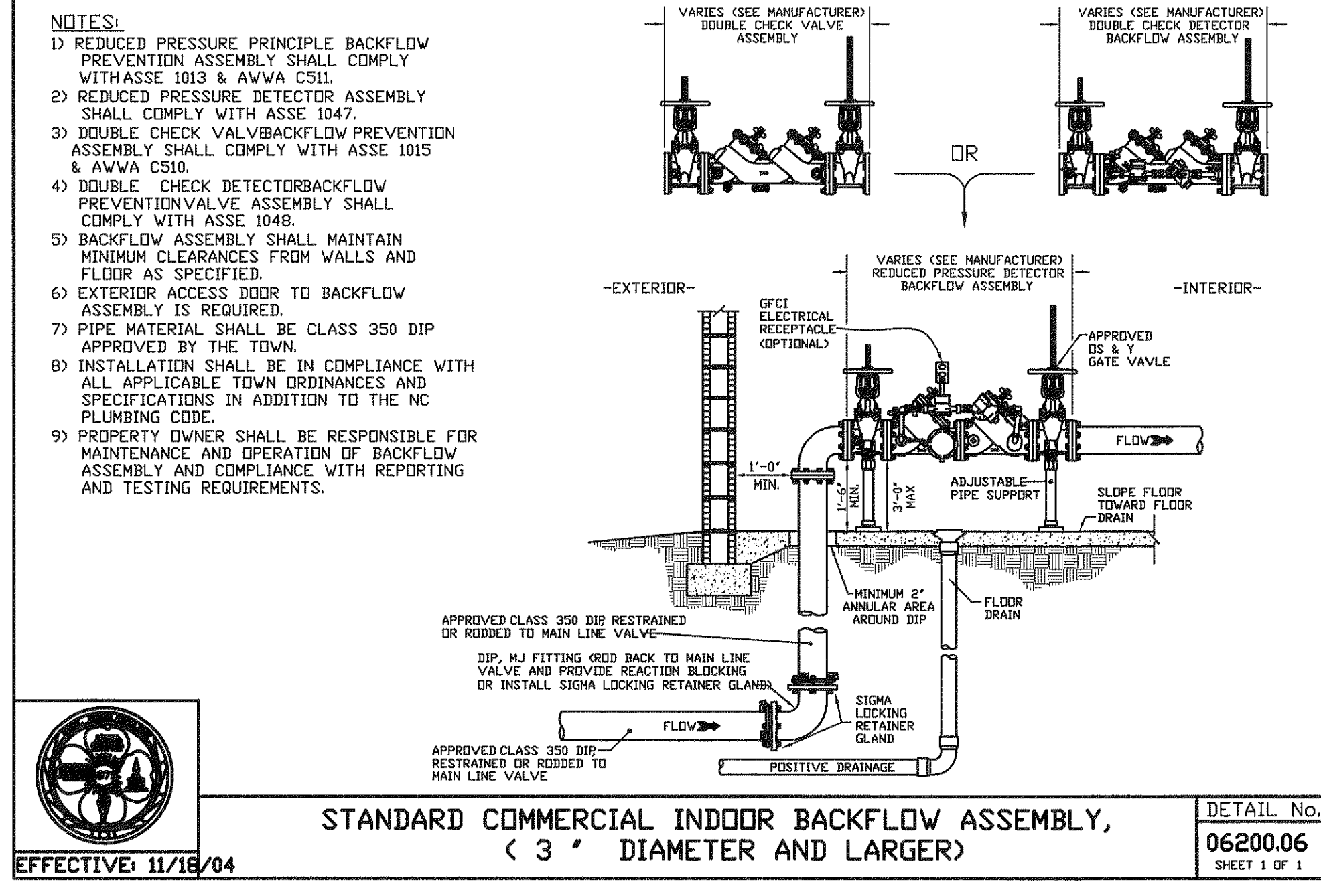
NOM. PIPE DIA. IN.	TEES & DEAD ENDS	90° BEND	45° BEND	22-1/2° BEND	11-1/4° BEND
4	1/3	1/3	1/3	1/3	1/3
6	1/3	1/3	1/3	1/3	1/3
8	1/3	1/2	1/3	1/3	1/3
10	2/3	3/4	1/2	1/3	1/3
12	3/4	1.0	2/3	1/3	1/3
14	1.0	1-1/2	3/4	1/2	1/3
16	1-1/3	2.0	1.0	1/2	1/3
18	1-2/3	2-1/3	1-1/3	2/3	1/3
20	2.0	3.0	1-2/3	3/4	1/2
24	3.0	4-1/3	2-1/3	1-1/3	2/3

\* CONCRETE SHALL BE 3000 P.S.I. MIX.

**STANDARD REACTION BLOCKING**  
 DETAIL No. 06000.13  
 SHEET 1 OF 1  
 EFFECTIVE: 07/01/04



**STANDARD TAPPING SLEEVE & POST INDICATOR VALVE**  
 DETAIL No. 06000.19  
 SHEET 1 OF 1  
 EFFECTIVE: 09/08/05



**STANDARD COMMERCIAL INDOOR BACKFLOW ASSEMBLY, (3\"/>
 DETAIL No. 06200.06  
 SHEET 1 OF 1  
 EFFECTIVE: 11/18/04**

Cary Project Number 07-SP-105  
**APPROVED TOWN OF CARY**  
 Approved by DRC Date 10/8/07  
 Planning KAH Date 10/26/07  
 Engineering TS Date 10-26-07

K:\07-0880\070888-Lord Corporation Fireline\04\04a Fireline\04\04a submittal\SHEET 2.0.dwg - Tuesday, October 23, 2007 8:38:25 AM - LEE WEAVER