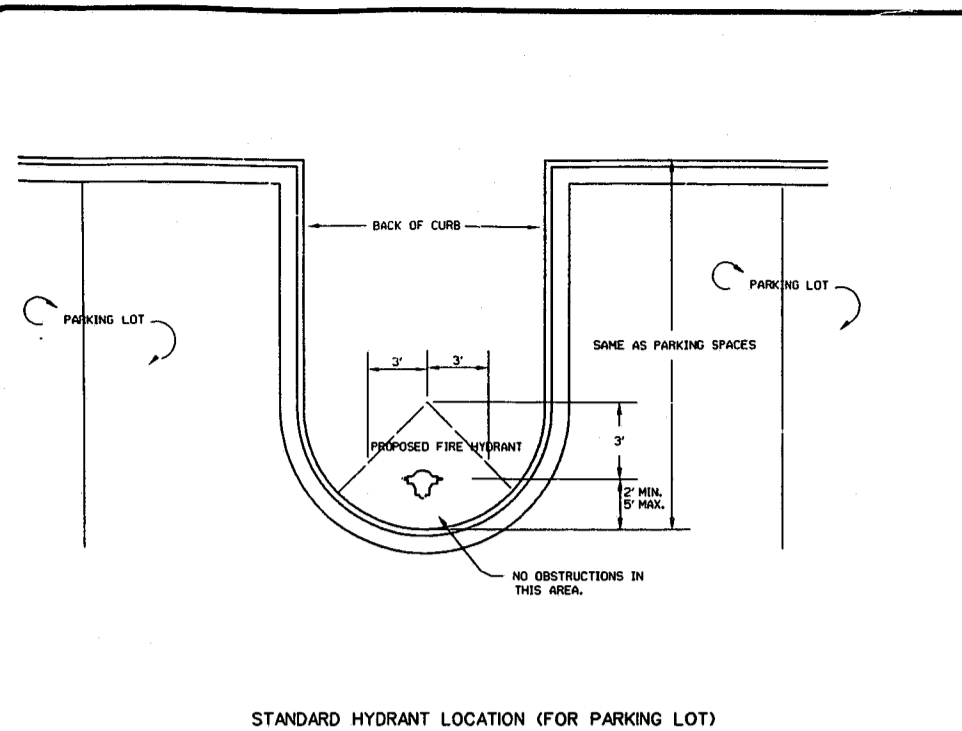
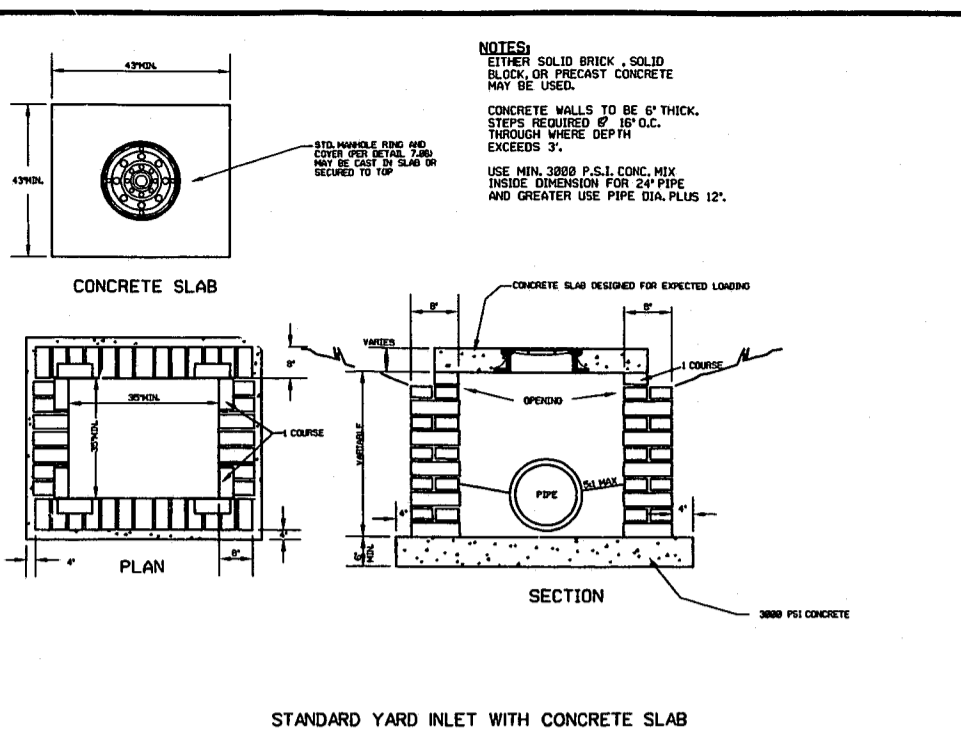


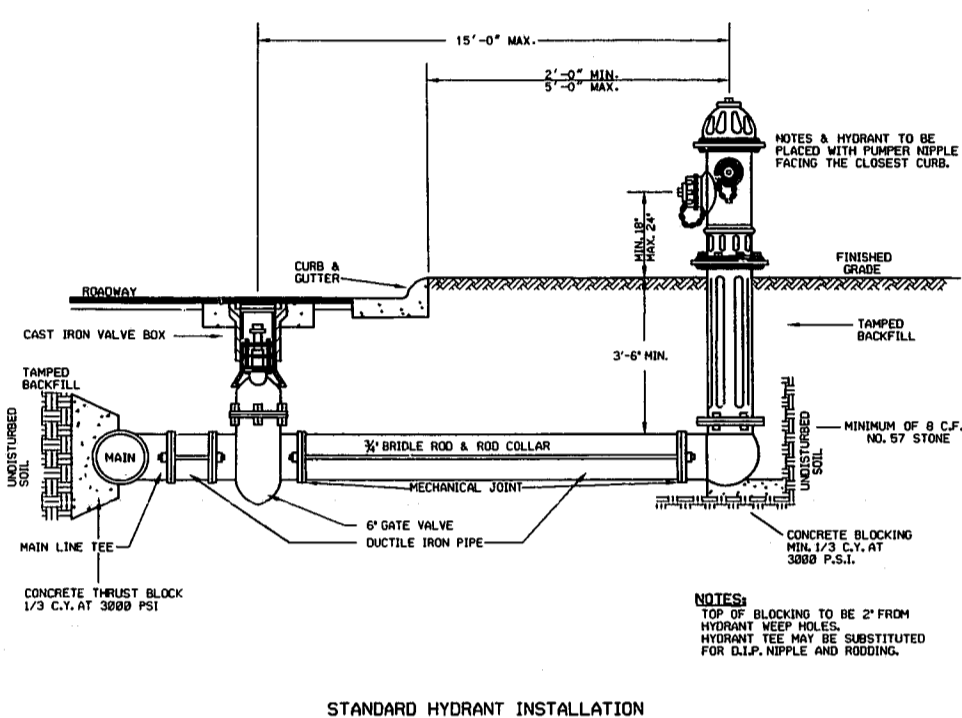
© JERRY TURNER & ASSOCIATES, INC. THIS DOCUMENT IS THE PROPERTY OF JERRY TURNER & ASSOCIATES, ALL RIGHTS ARE RESERVED AND ANY POSSESSION, REPRODUCTION, OR OTHER USE OF THIS DOCUMENT WITHOUT THE PRIOR PERMISSION OF JERRY TURNER & ASSOCIATES IS EXPRESSLY PROHIBITED.



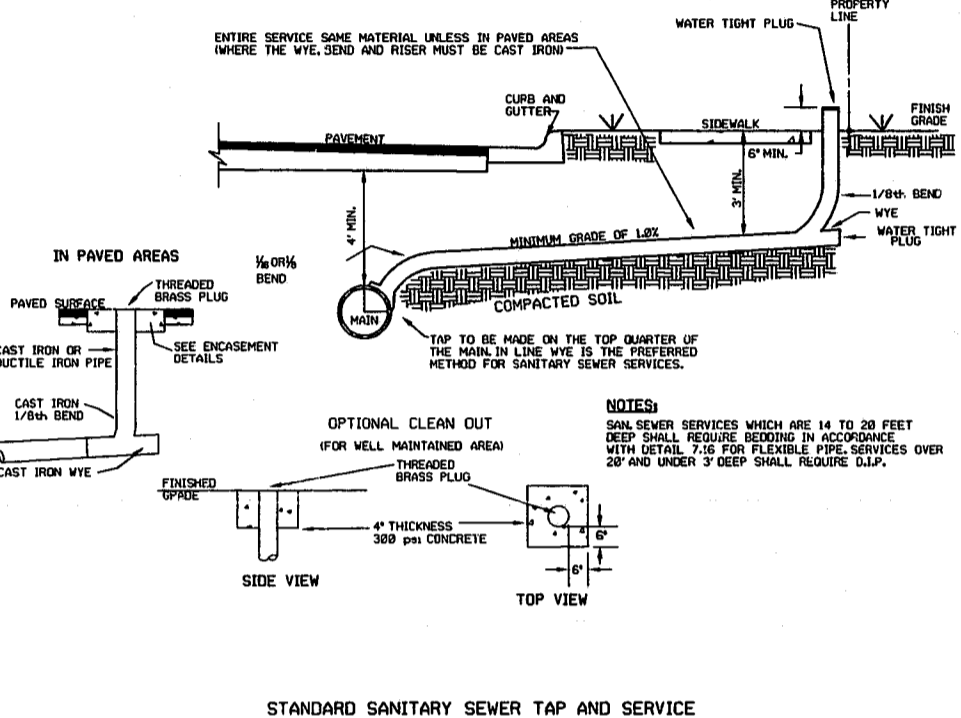
STANDARD HYDRANT LOCATION (FOR PARKING LOT)



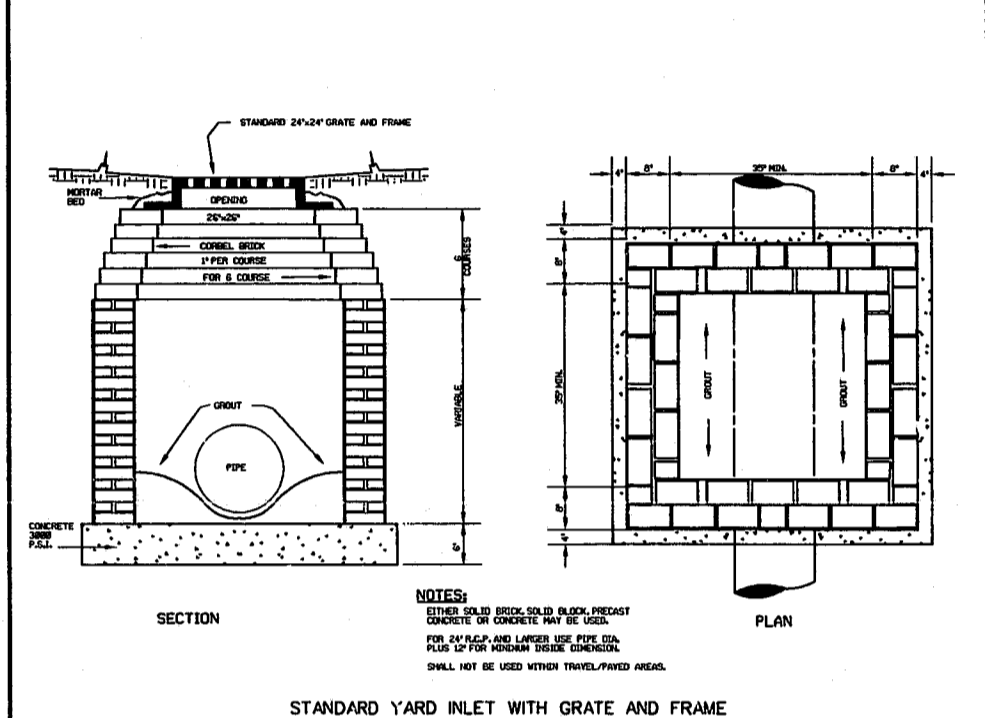
STANDARD YARD INLET WITH CONCRETE SLAB



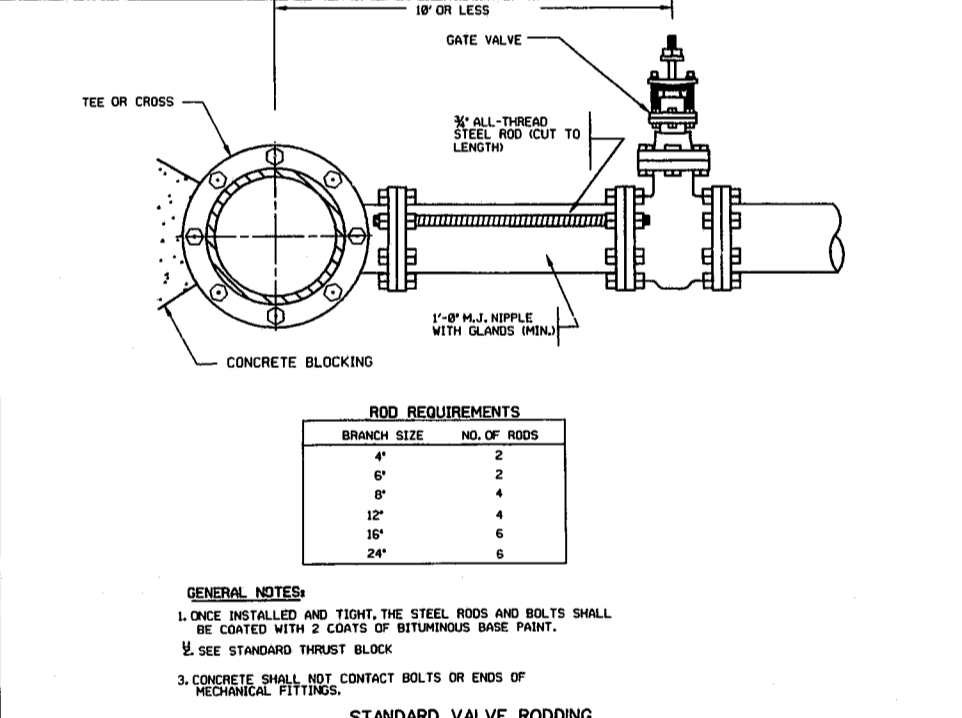
STANDARD HYDRANT INSTALLATION



STANDARD SANITARY SEWER TAP AND SERVICE



STANDARD YARD INLET WITH GRATE AND FRAME



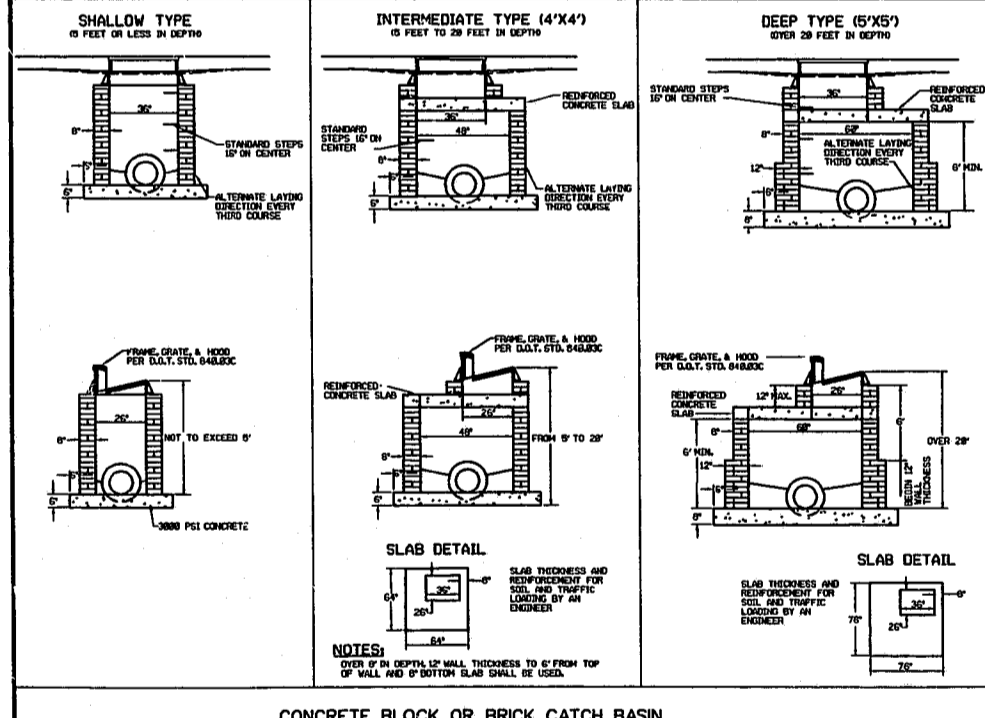
STANDARD VALVE RODDING

MINIMUM CONCRETE BLOCKING (C.Y.)\*

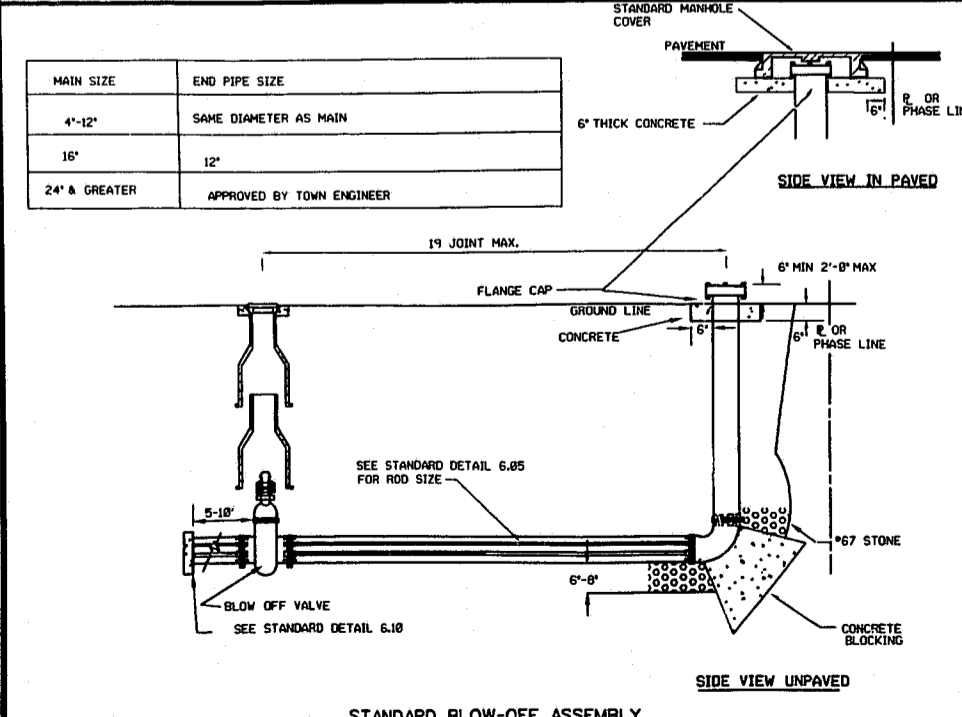
MIN. PIPE DIA. IN.	DEAD ENDS	90° BEND	45° BEND	22 1/2° BEND	11 1/4° BEND
4	1/3	1/3	1/3	1/3	1/3
6	1/3	1/3	1/3	1/3	1/3
8	1/3	1/2	1/3	1/3	1/3
10	2/3	3/4	1/2	1/3	1/3
12	3/4	1.0	2/3	1/3	1/3
14	1.0	1 1/4	3/4	1/2	1/3
16	1 1/3	2.0	1.0	1/2	1/3
18	1 2/3	2 1/3	1 1/3	2/3	1/3
20	2.0	3.0	1 2/3	3/4	1/2
24	3.0	4 1/3	2 1/3	1 1/3	2/3

\*CONCRETE SHALL BE 3000 P.S.I. MIN. CONCRETE SHALL COVER BOLTS OR GRANDS.

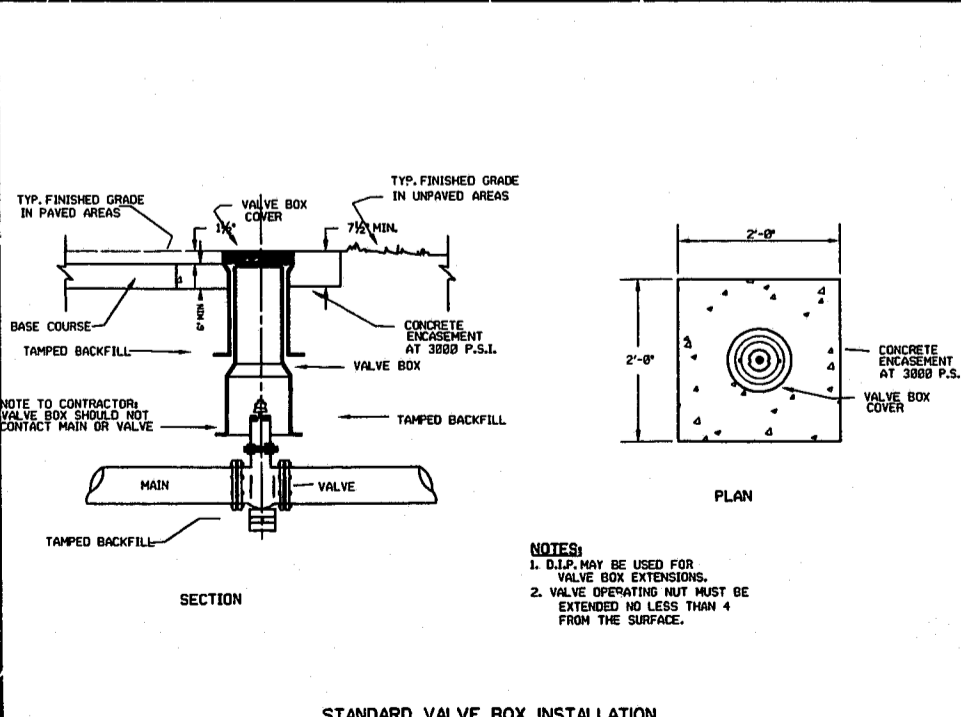
STANDARD REACTION BLOCKING



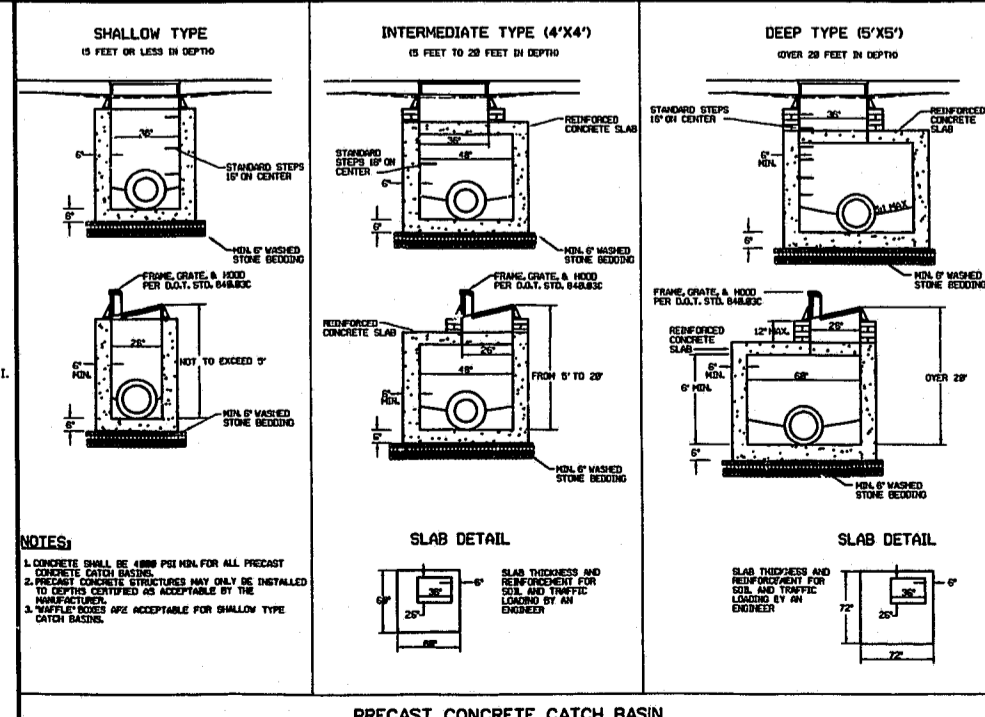
CONCRETE BLOCK OR BRICK CATCH BASIN



STANDARD BLOW-OFF ASSEMBLY



STANDARD VALVE BOX INSTALLATION



PRECAST CONCRETE CATCH BASIN

**JTA**  
**JERRY TURNER & ASSOCIATES**

LANDSCAPE ARCHITECTURE  
 LAND PLANNING  
 ENVIRONMENTAL DESIGN

905 JONES FRANKLIN ROAD  
 RALEIGH, NORTH CAROLINA 27606  
 (919) 851-7150  
 62 S.E. 6TH AVENUE  
 DELRAY BEACH, FLORIDA 33483  
 (407) 278-0453

PRESTONWOOD  
 COUNTRY CLUB  
 EXPANSION

PHASE I  
 (SWIM COMPLEX)

OWNER:  
 PRESTONWOOD  
 COUNTRY CLUB, INC.  
 CARY, NORTH CAROLINA

**BNK**  
 BASS, NIXON & KENNEDY, INC.  
 CONSULTING ENGINEERS  
 7416 CHAPEL HILL ROAD  
 RALEIGH, NC 27607  
 919 351-4422

-DRAWN - CHECKED  
 BGAEB DCK  
 -SCALE - DATE  
 1" = 40' 10-27-95  
 -TITLE

SITE DETAILS

-FILE NO. - JOB NO.

-SEAL - SHEET NO.

*Quinn Turner*  
 SEAL  
 4504  
 ENGINEER  
 JERRY C. KENNEDY

SP-12