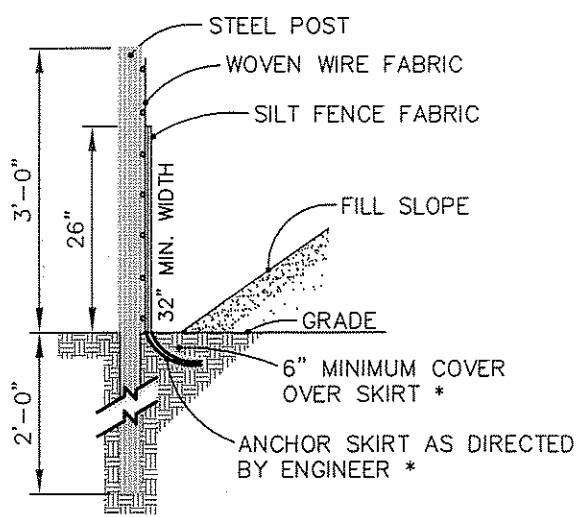


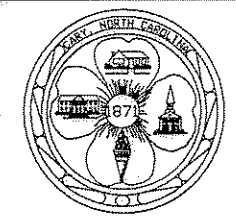
FRONT VIEW



SIDE VIEW

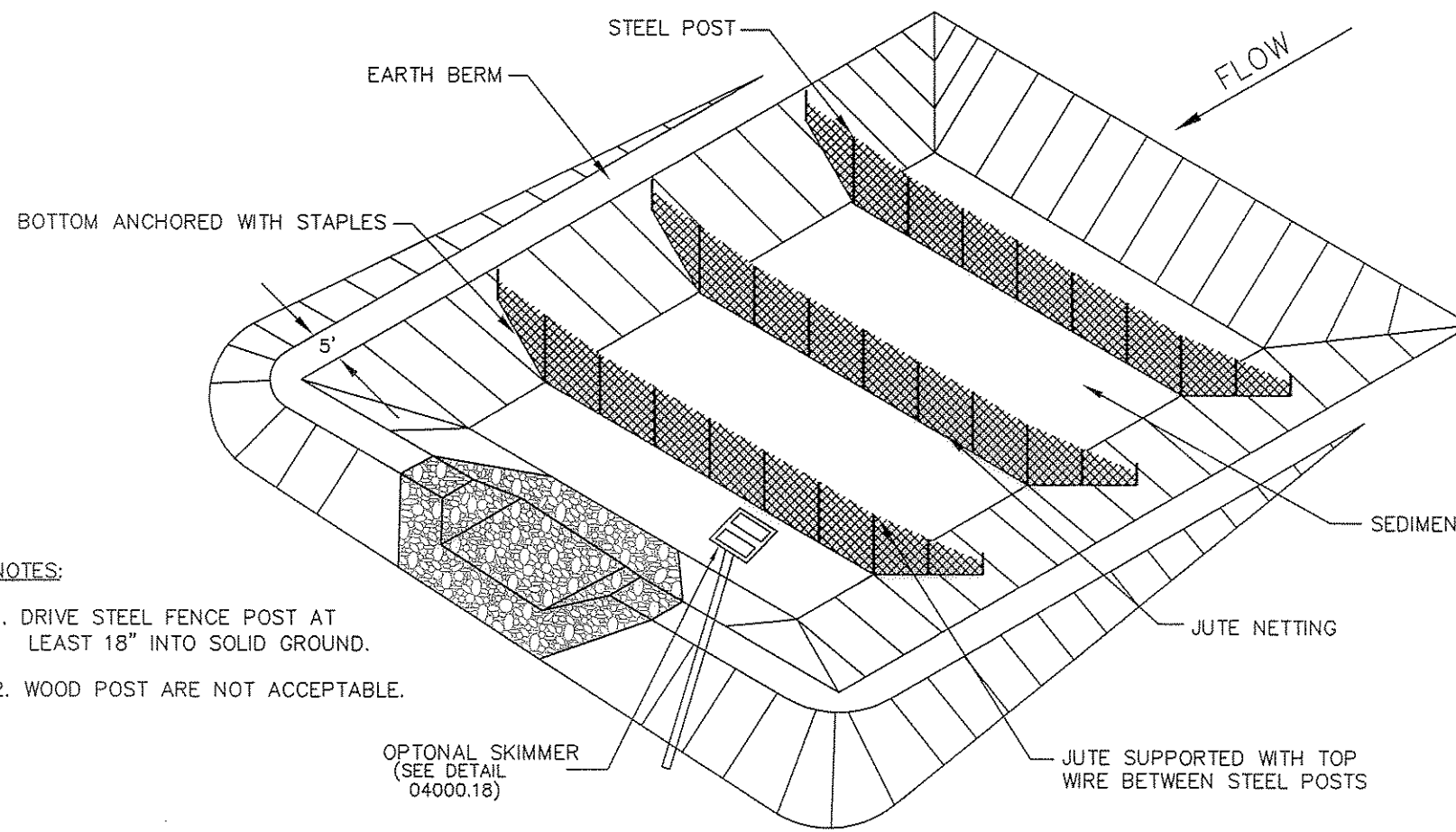
NOTE:  
USE SILT FENCE ONLY WHEN DRAINAGE AREA DOES NOT EXCEED 1/4 ACRE AND NEVER IN AREAS OF CONCENTRATED FLOW.

\* FOR REPAIR OF SILT FENCE FAILURES, USE No. 57 WASHED STONE FOR ANCHOR WHEN SILT FENCE IS PROTECTING CATCH BASIN.



STANDARD TEMPORARY SILT FENCE

DETAIL No. 04000.01  
SHEET 1 OF 1



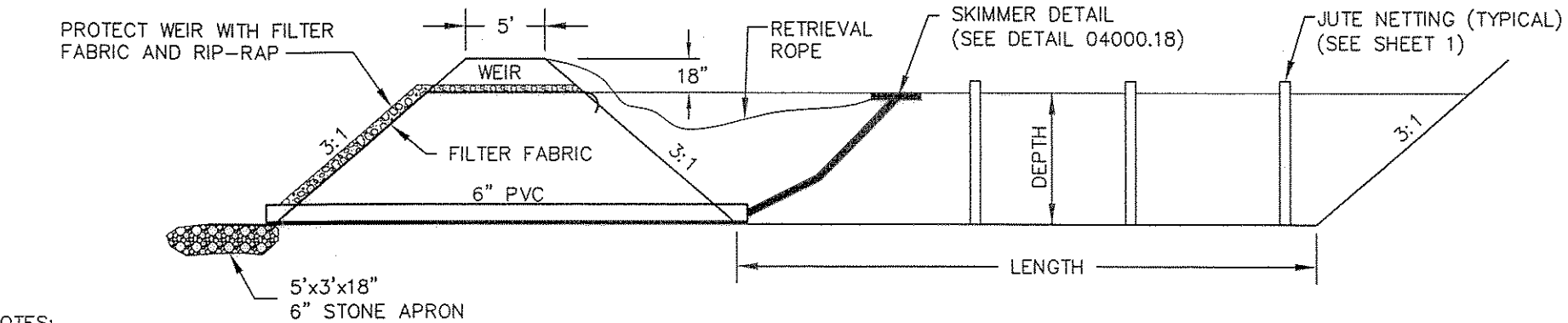
PERSPECTIVE VIEW

NOTES:  
1. DRIVE STEEL FENCE POST AT LEAST 18" INTO SOLID GROUND.  
2. WOOD POST ARE NOT ACCEPTABLE.



STANDARD SKIMMER FILTER BASIN

DETAIL No. 04000.03  
SHEET 1 OF 2



WEIR DETAIL

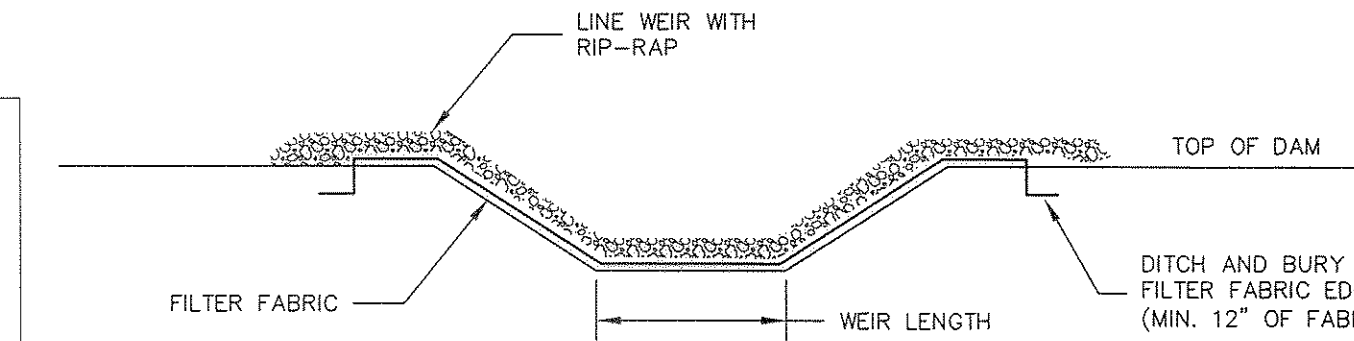
NOTES:

- USE FOR DRAINAGE AREAS NOT EXCEEDING 5 (FIVE) ACRES.
- EARTH BERM SHALL BE STABILIZED w/SEEDING ACCORDING TO TOWN SPECIFICATIONS.

DESIGN OF SPILLWAYS

DRAINAGE AREA (ACRES)	WEIR LENGTH <sup>1</sup> (FT)
1	4.0
2	6.0
3	8.0
4	10.0
5	12.0

<sup>1</sup> DIMENSIONS SHOWN ARE MINIMUM

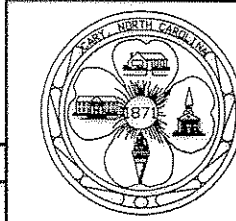


MAINTENANCE

INSPECT TEMPORARY SEDIMENT TRAPS AND EMPTY SKIMMER OF ALL DEBRIS AFTER EACH PERIOD OF SIGNIFICANT RAINFALL. REMOVE SEDIMENT AND RESTORE TRAP TO ITS ORIGINAL DIMENSIONS WHEN THE SEDIMENT HAS ACCUMULATED TO ONE-HALF THE DESIGN DEPTH OF THE TRAP. PLACE THE SEDIMENT THAT IS REMOVED IN A DESIGNATED DISPOSAL AREA AND REPLACE THE CONTAMINATED PART OF THE GRAVEL FACING.

CHECK THE STRUCTURE FOR DAMAGE FROM EROSION OR PIPING. PERIODICALLY CHECK THE DEPTH OF THE SPILLWAY TO ENSURE IT IS A MINIMUM OF 1.5 FT BELOW THE LOW POINT OF THE EMBANKMENT. IMMEDIATELY FILL ANY SETTLEMENT OF THE EMBANKMENT TO SLIGHTLY ABOVE DESIGN GRADE. ANY RIP RAP DISPLACED FROM THE SPILLWAY MUST BE REPLACED IMMEDIATELY.

STABILIZE THE EMBANKMENT AND ALL DISTURBED AREAS ABOVE THE SEDIMENT POOL AND DOWNSTREAM FROM THE TRAP IMMEDIATELY AFTER CONSTRUCTION WITH SEEDING.



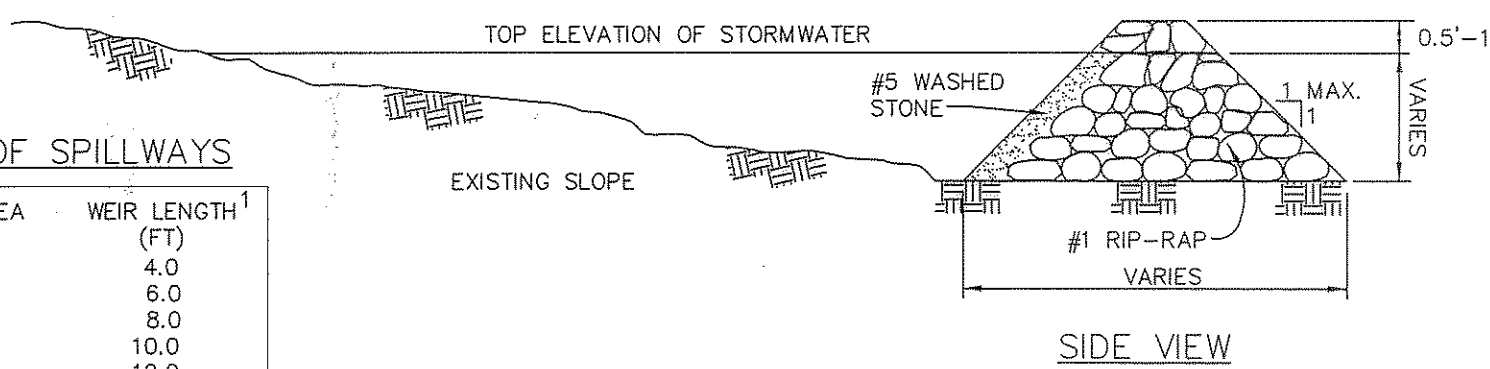
STANDARD SKIMMER FILTER BASIN

DETAIL No. 04000.03  
SHEET 2 OF 2

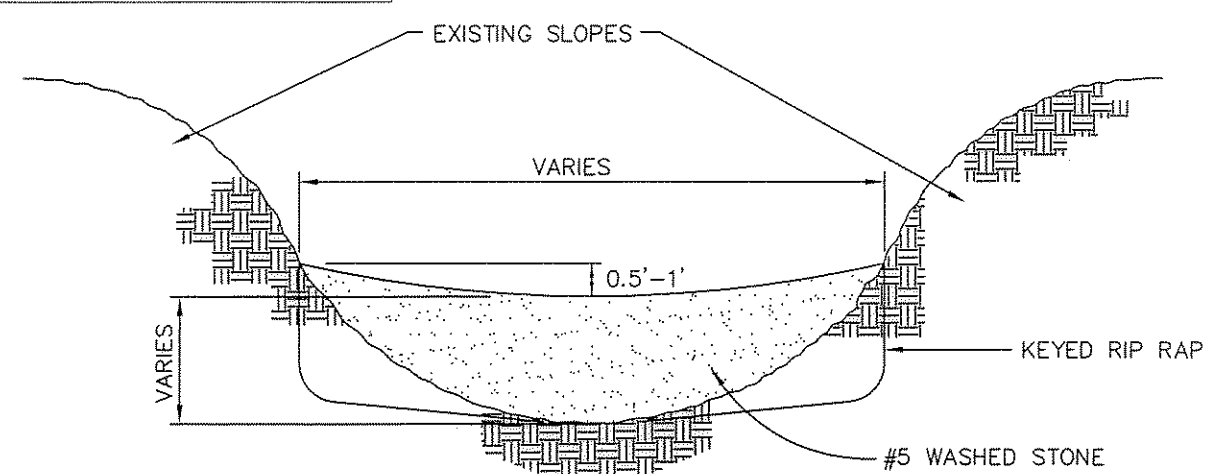
DESIGN OF SPILLWAYS

DRAINAGE AREA (ACRES)	WEIR LENGTH <sup>1</sup> (FT)
1	4.0
2	6.0
3	8.0
4	10.0
5	12.0

<sup>1</sup> DIMENSIONS SHOWN ARE MINIMUM

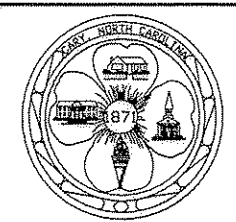


SIDE VIEW



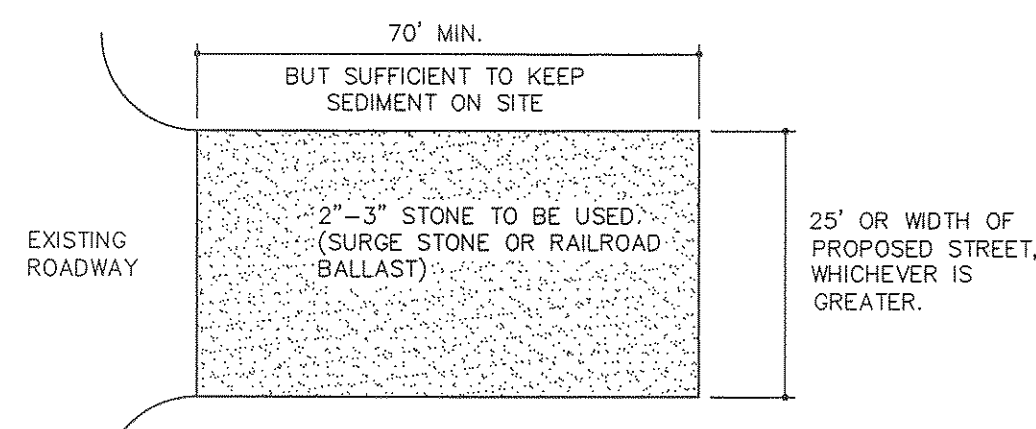
FRONT VIEW

NOTE:  
HEIGHT & WIDTH DETERMINED BY EXISTING TOPOGRAPHY AND SEDIMENT STORAGE REQUIRED.  
KEY RIP RAP INTO THE DAM FOR STABILIZATION.

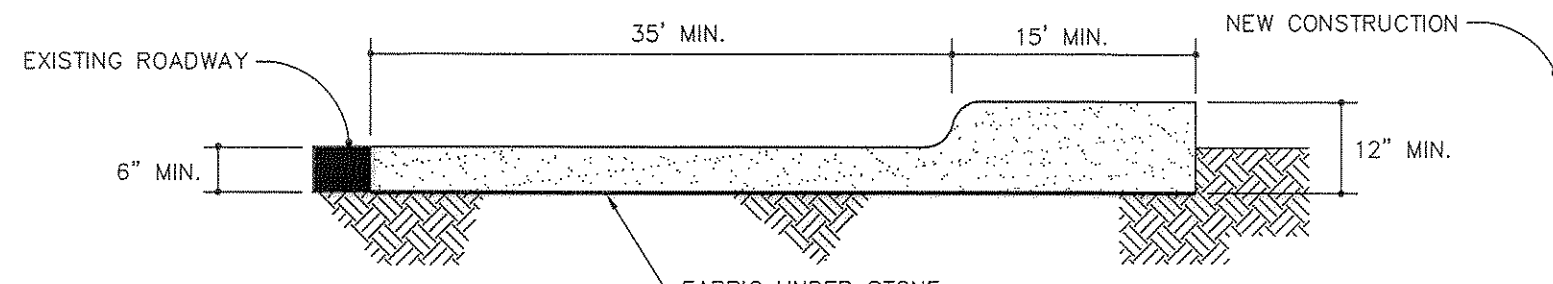


STANDARD CHECK DAM

DETAIL No. 04000.06  
SHEET 1 OF 1

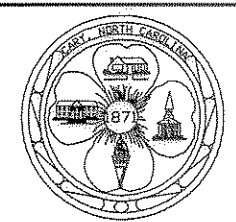


PLAN VIEW



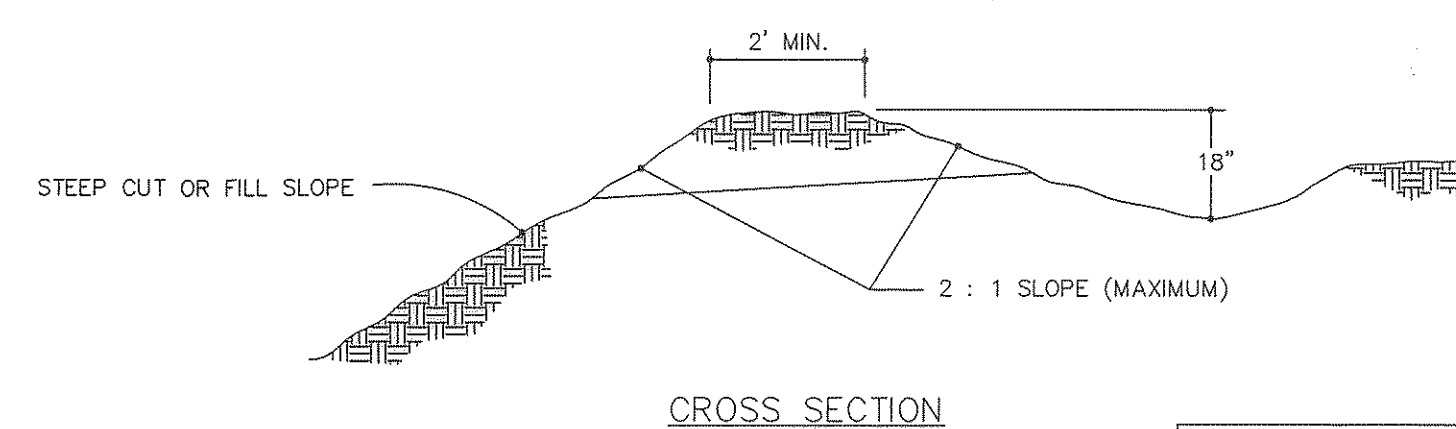
CROSS SECTION

NOTES:  
1. PUT SILT FENCE OR TREE PROTECTION FENCE UP TO ENSURE CONSTRUCTION ENTRANCE IS USED.  
2. IF CONSTRUCTION ON THE SITES ARE SUCH THAT THE MUD IS NOT REMOVED BY THE VEHICLE TRAVELING OVER THE STONE, THEN THE TIRES OF THE VEHICLES MUST BE WASHED BEFORE ENTERING THE PUBLIC ROAD.  
3. IF A PROJECT CONTINUES TO PULL MUD AND DEBRIS ON TO THE PUBLIC ROAD, THE TOWN WILL CLEAN THE AREA AND INVOICE THE FINANCIALLY RESPONSIBLE PERSON AS INDICATED ON THE FINANCIAL RESPONSIBILITY FORM. THE MINIMUM FEE THE TOWN OF CARY WILL CHARGE TO CLEAN THE STREETS WILL BE \$300 FOR THE FIRST HOUR AND \$200 FOR EACH HOUR THEREAFTER.

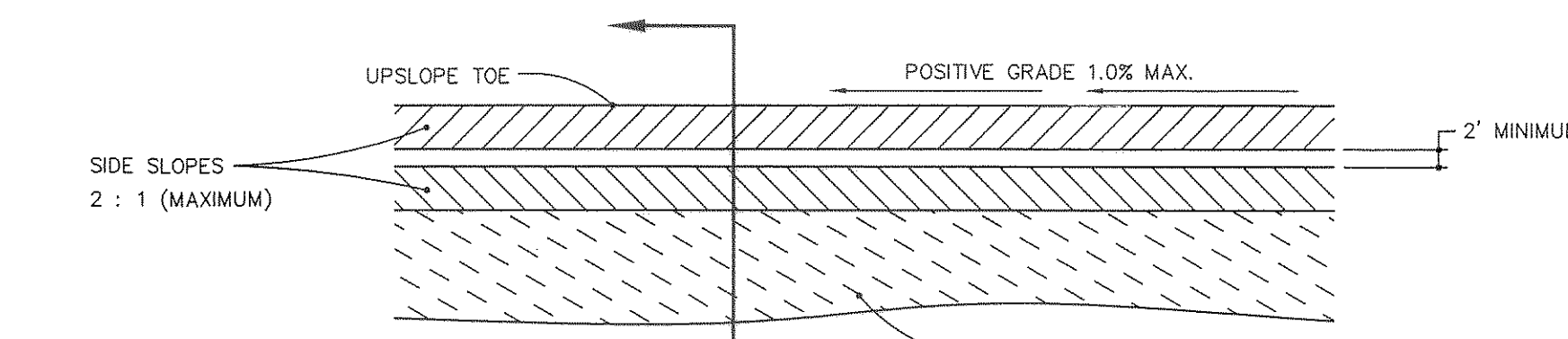


STANDARD CONSTRUCTION ENTRANCE

DETAIL No. 04000.07  
SHEET 1 OF 1

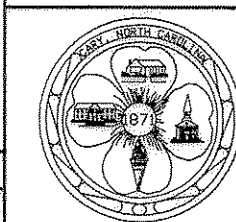


CROSS SECTION



PLAN VIEW

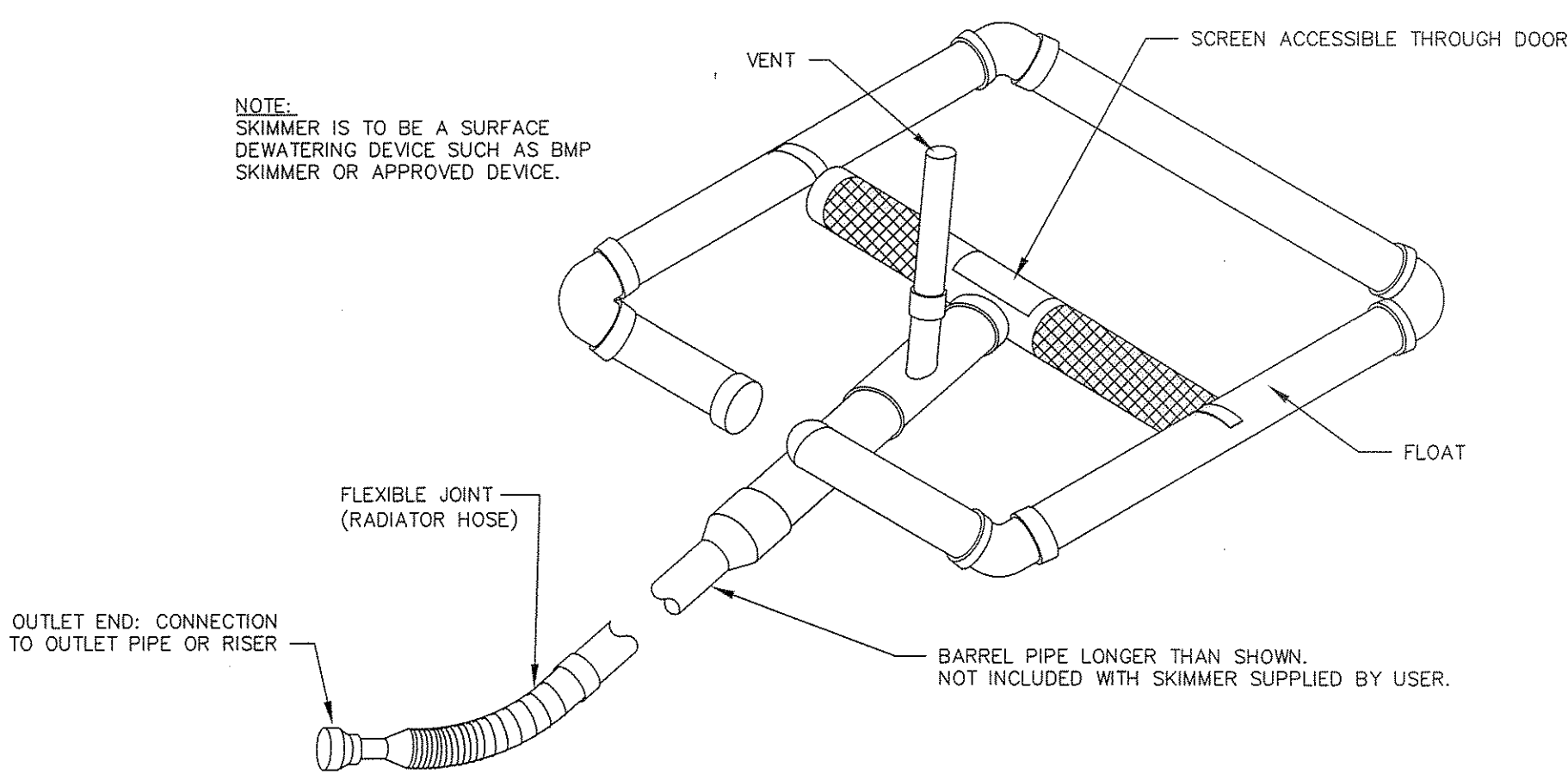
STABILIZE DIVERSION DITCH WITH TEMPORARY SEEDING AND EROSION CONTROL NETTING.



STANDARD DIVERSION DITCH

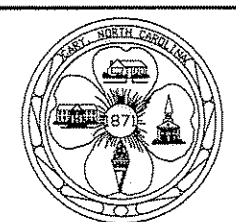
DETAIL No. 04000.09  
SHEET 1 OF 1

NOTE:  
SKIMMER IS TO BE A SURFACE DEWATERING DEVICE SUCH AS BMP SKIMMER OR APPROVED DEVICE.

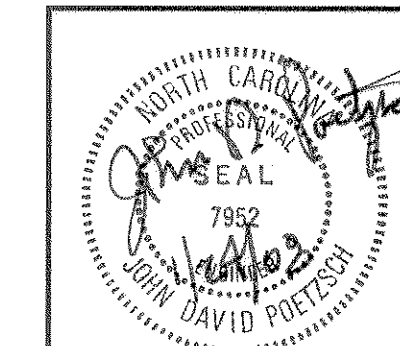


STANDARD SKIMMER DETAIL

DETAIL No. 04000.18  
SHEET 1 OF 1



07-SP-111  
APPROVED  
TOWN OF CARY  
Approved by: [Signature] Date: 12-21-07  
Planning: [Signature] Date: 12-20-07  
Engineering: [Signature] Date: 12-20-07



**Rivers**  
& Associates, Inc.  
107 East Second Street  
Greenville, NC 27858 (252) 752-4135  
6131 Falls of Neuse Road, Suite 300  
Raleigh, NC 27609 (919) 848-3347

LENNAR CAROLINAS, LLC  
STONEWATER AMENITY  
EROSION CONTROL DETAILS-2  
CARY, NORTH CAROLINA

SURVEY CHS	DRAFT KWH	H. SCALE NTS	V SCALE NTS	PROJECT NO. 25084.7	SHEET 7
DESIGN SPG	CHECK JDP				