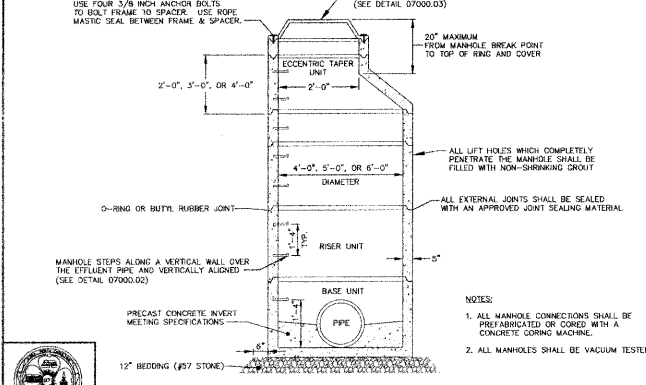


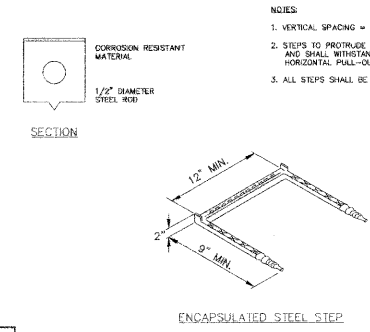
STANDARD COMBINATION AIR VALVE MANHOLE (FOR WATER, RECLAIMED WATER, OR SEWER MAINS)

DETAIL No. 07000.15 SHEET 1 OF 2



STANDARD PRECAST CONCRETE MANHOLE

DETAIL No. 07000.01 SHEET 1 OF 1



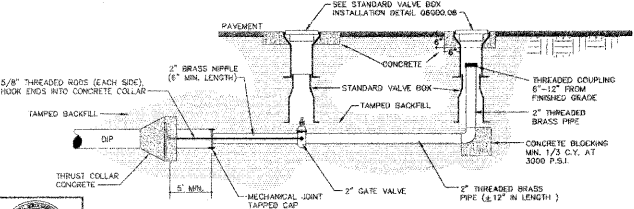
MANHOLE STEPS

DETAIL No. 07000.02 SHEET 1 OF 1

| MAIN SIZE | END PIPE SIZE |
|---------------|------------------------------|
| 4" - 12" | 2" BLOW-OFF |
| 18" & GREATER | AS APPROVED BY TOWN ENGINEER |

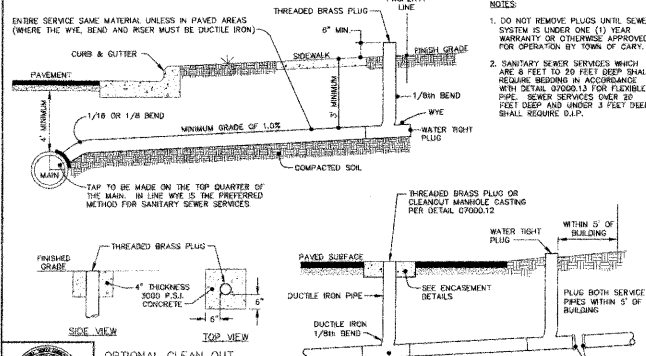
NOTE:

- FOR MAINS THAT ARE TO BE EXTENDED USE A VALVE EQUAL TO THE MAIN SIZE AS THE BLOW-OFF VALVE AND THEN REDUCE TO THE 2" STANDARD.
- ROD SHALL BE "HOOKED" INTO THRUST COLLAR.



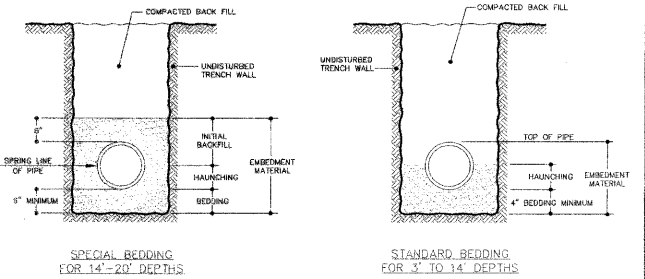
STANDARD 2" BLOW-OFF ASSEMBLY

DETAIL No. 08000.11 SHEET 1 OF 1



STANDARD SANITARY SEWER TAP AND SERVICE

DETAIL No. 07000.10 SHEET 1 OF 2



BEDDING FOR FLEXIBLE & SEMI-RIGID SANITARY SEWER PIPE

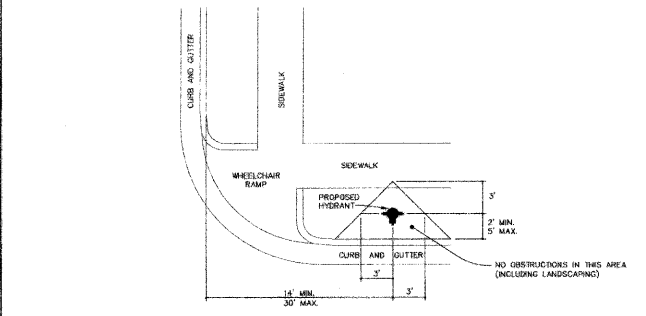
DETAIL No. 07000.13 SHEET 1 OF 1

SPECIFICATION TIME (min:sec) REQUIRED FOR PRESSURE DROP FROM 3-1/2 TO 2-1/2 PSIG WHEN TESTING ONE PIPE DIAMETER ONLY

| LENGTH OF LINE, FEET | PIPE DIAMETER, INCHES | | | | | | | | | |
|----------------------|-----------------------|------|------|------|-------|-------|-------|-------|-------|--|
| | 4 | 6 | 8 | 10 | 12 | 15 | 18 | 21 | 24 | |
| 25 | 0:04 | 0:10 | 0:16 | 0:22 | 0:40 | 1:06 | 1:29 | 2:01 | 2:38 | |
| 50 | 0:09 | 0:20 | 0:35 | 0:55 | 1:19 | 2:04 | 2:58 | 4:03 | 5:17 | |
| 75 | 0:13 | 0:30 | 0:53 | 1:23 | 1:58 | 3:08 | 4:27 | 6:04 | 7:53 | |
| 100 | 0:19 | 0:40 | 1:10 | 1:50 | 2:35 | 4:08 | 5:58 | 8:05 | 10:34 | |
| 125 | 0:22 | 0:50 | 1:28 | 2:18 | 3:18 | 5:09 | 7:36 | 9:55 | 11:30 | |
| 150 | 0:26 | 0:58 | 1:48 | 2:45 | 3:58 | 6:11 | 8:30 | 10:50 | 12:56 | |
| 175 | 0:31 | 1:09 | 2:03 | 3:13 | 4:37 | 7:05 | 9:21 | 12:44 | 16:08 | |
| 200 | 0:35 | 1:19 | 2:21 | 3:40 | 5:17 | 7:55 | 10:12 | 13:53 | 18:09 | |
| 225 | 0:40 | 1:29 | 2:38 | 4:06 | 5:40 | 8:31 | 11:36 | 15:36 | 19:67 | |
| 250 | 0:44 | 1:39 | 2:58 | 4:35 | 6:19 | 9:21 | 12:44 | 16:38 | 20:36 | |
| 275 | 0:48 | 1:49 | 3:14 | 4:45 | 6:45 | 9:55 | 13:44 | 18:08 | 22:09 | |
| 300 | 0:53 | 1:58 | 3:31 | 5:06 | 6:58 | 10:12 | 13:53 | 18:09 | 23:14 | |
| 350 | 1:02 | 2:19 | 3:47 | 5:30 | 7:35 | 11:54 | 16:12 | 21:10 | 24:12 | |
| 400 | 1:10 | 2:38 | 4:17 | 6:03 | 8:27 | 13:36 | 18:31 | 24:12 | | |
| 450 | 1:19 | 2:50 | | 6:48 | 10:38 | 16:19 | 20:50 | 27:13 | | |
| 500 | 1:28 | | | 7:34 | 11:49 | 18:01 | 23:09 | 30:14 | | |

STANDARD AIR TEST TABLE

DETAIL No. 07000.16 SHEET 1 OF 1



STANDARD HYDRANT LOCATION

DETAIL No. 06000.07 SHEET 1 OF 2

Rivers & Associates, Inc.
 Engineers Planners Surveyors
 167 East Second Street, Suite 105, Greensboro, NC 27408 (336) 765-4155
 5410 Falls of Neuse Road, Suite D Raleigh, NC 27615 (919) 848-3347

LENNAR CAROLINAS, LLC
 STONEWATER SUBDIVISION SF-2 (PHASE 1)
WATER DETAILS 2
 GARY, NORTH CAROLINA

05-58-021 APPROVED TOWN OF GARY
 Approved by: [Signature] Date: 2-24-2016
 Planning: [Signature] Date: 2-24-2016
 Engineering: [Signature] Date: 2-24-2016

DATE: 2/21/16

| | | | | | | |
|------------|------|-------|----------|----------|-------------|-------|
| SURVEY CHS | DRAW | SMPL | N. SCALE | V. SCALE | PRODUCT NO. | SHEET |
| DESIGN | SPRG | CHECK | JDP | NTS | 25084.3 | 24 |