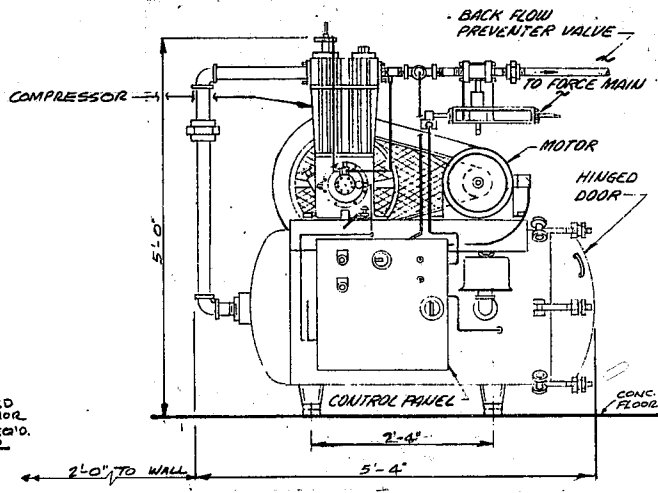
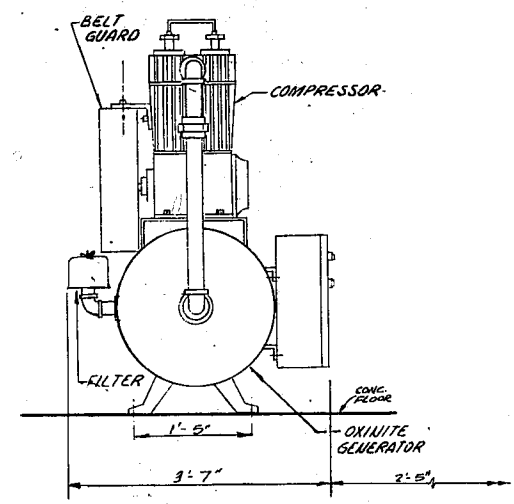


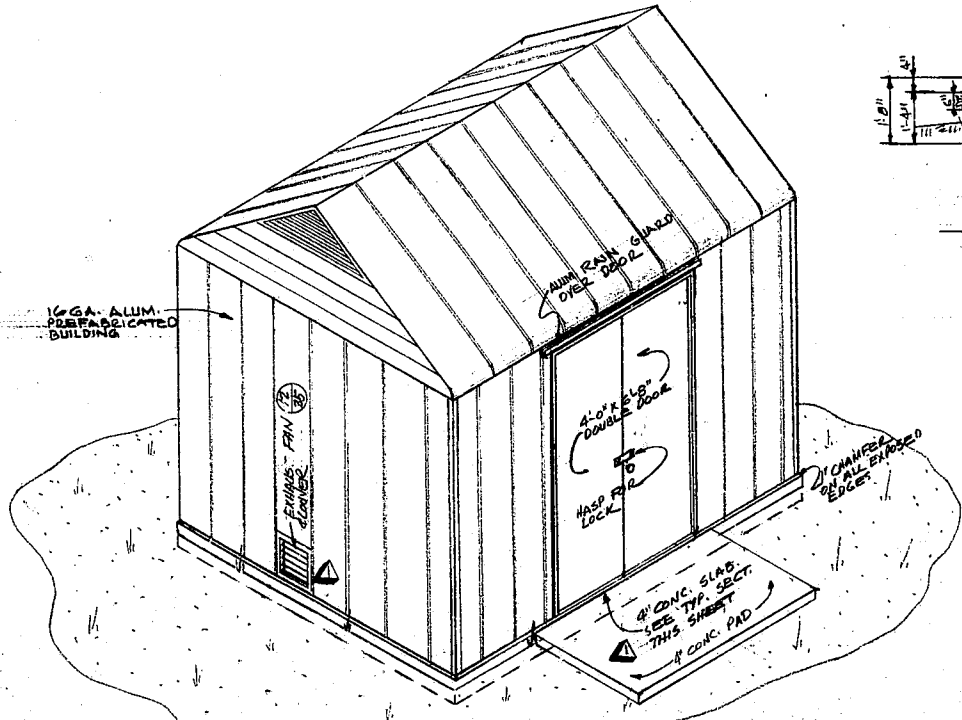
PLAN - Oxinite GENERATOR  
SCALE: 3/4" = 1'-0"



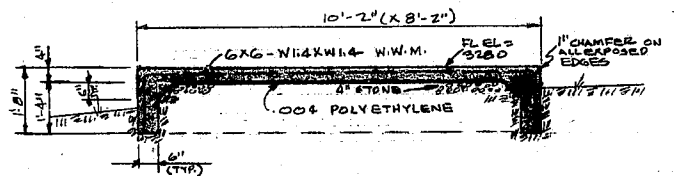
SECTION A-A  
NO SCALE



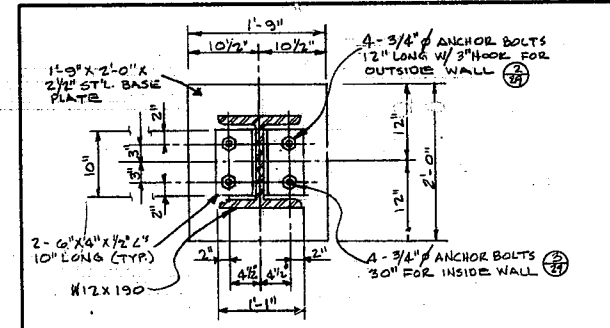
SECTION B-B  
NO SCALE



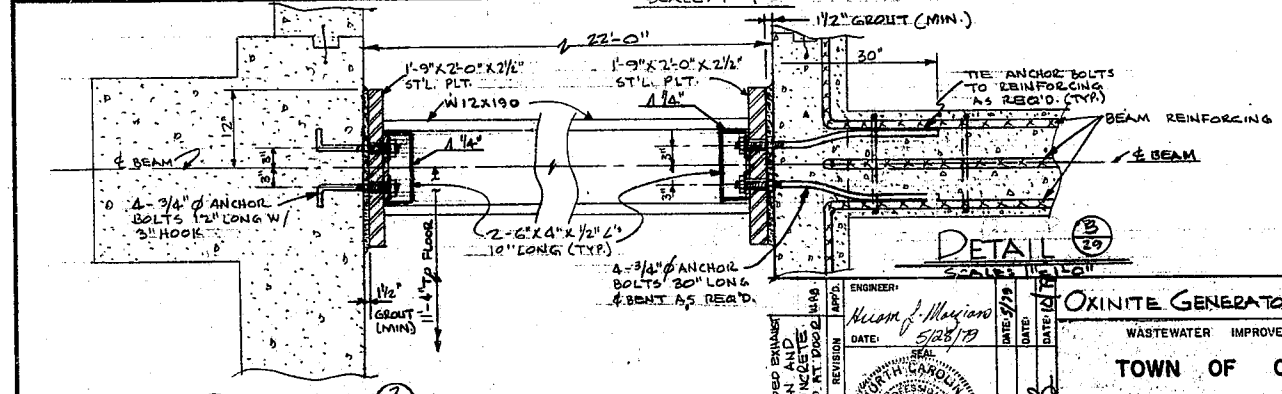
ISOMETRIC  
PREFABRICATED ALUM. BLDG.  
SCALE: 1/2" = 1'-0"



TYPICAL FLOOR SLAB SECTION  
SCALE: 1/2" = 1'-0"



TYP. ELEVATION OF BEAM PLT.  
SCALE: 1" = 1'-0"



DETAIL  
SCALE: 1" = 1'-0"

OXINITE GENERATOR DETAILS			
WASTEWATER IMPROVEMENTS			
TOWN OF CARY			
WAKE COUNTY, NORTH CAROLINA			
MOORE, GARDNER & ASSOCIATES, INC.			
CONSULTING ENGINEERS			
ASHEBORO • GREENSBORO • CARY			
NORTH CAROLINA			
SCALE: NOTED	JOB NO. 20117B	SHEET 29 OF 44	