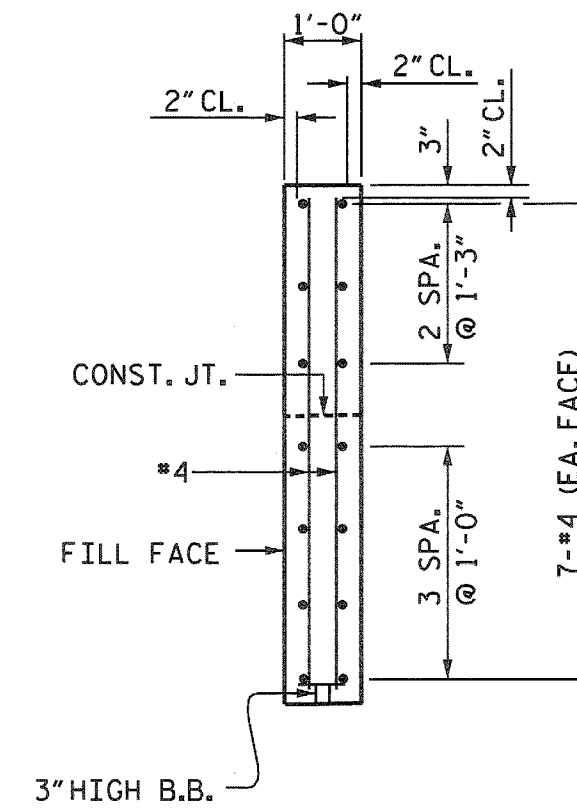
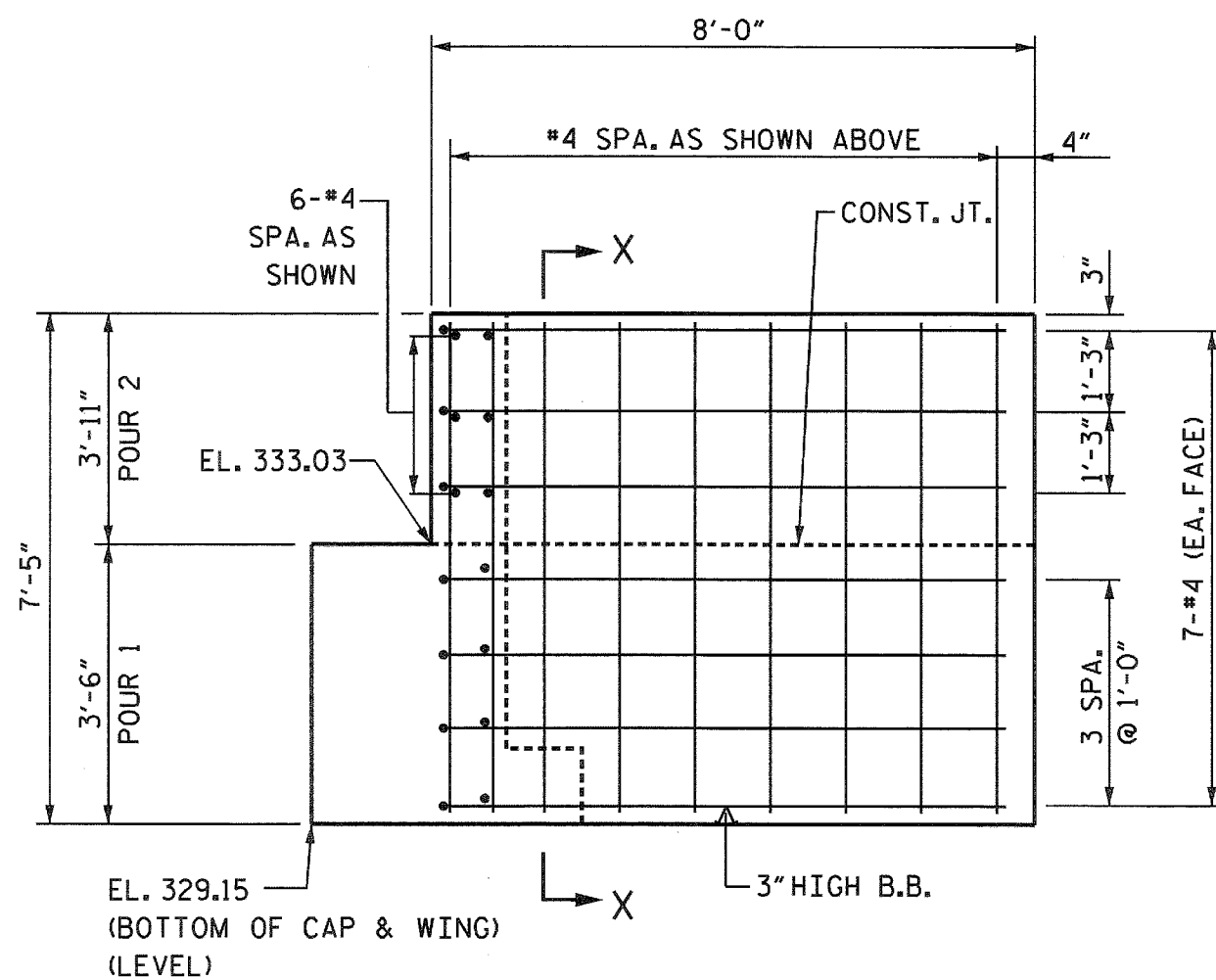


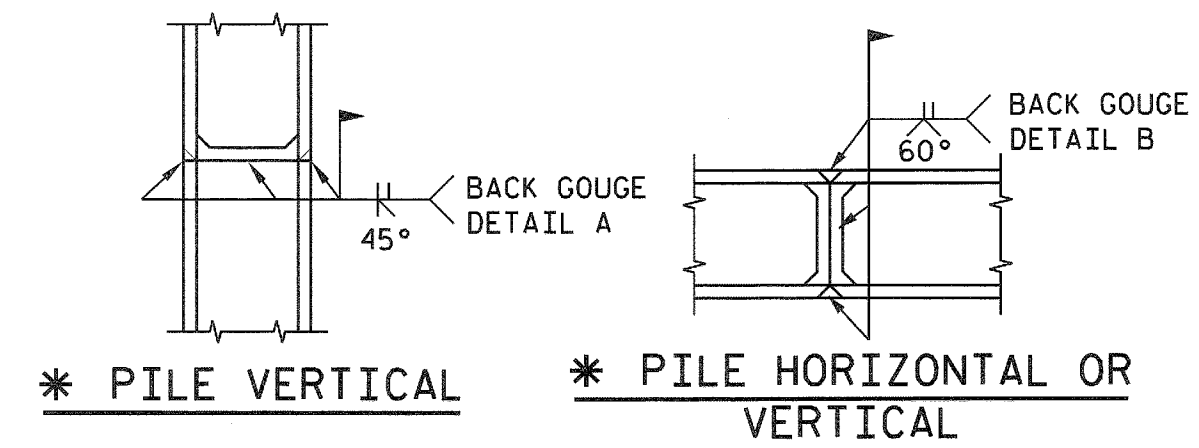
PLAN OF LEFT WINGWALL



SECTION X-X

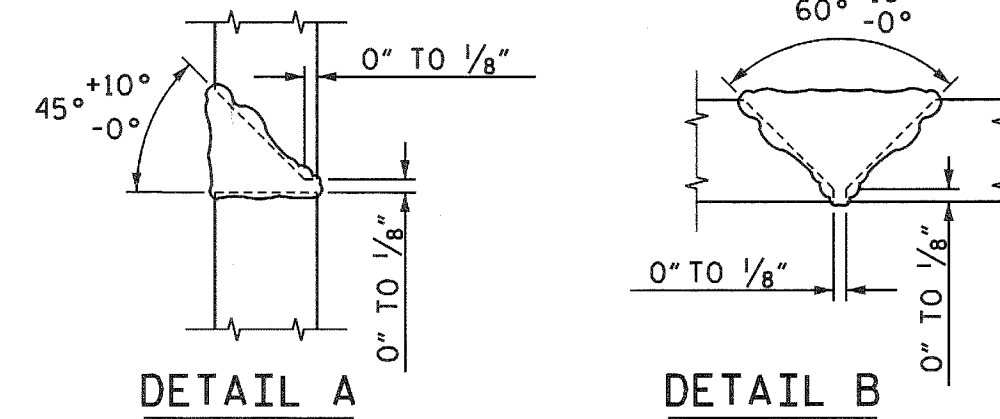


ELEVATION OF LEFT WINGWALL



\* PILE VERTICAL

\* PILE HORIZONTAL OR VERTICAL



DETAIL A

DETAIL B

\* POSITION OF PILE DURING WELDING

PILE SPLICE DETAILS

END BENT 1 WINGWALL DETAILS

09-SP-057  
APPROVED  
TOWN OF CARY  
APPROVED BY: *DRC* DATE: 8/30/2010  
PLANNING: *KAH* DATE: 8/30/2010  
ENGINEERING: *DD* DATE: 8/25/2010

TOWN OF CARY  
PARKS, RECREATION, AND  
CULTURAL RESOURCES  
316 N. ACADEMY STREET,  
CARY, NC 27512  
919-469-4051, FAX: 919-469-4344  
CONTACT:  
PAUL KUHN, SENIOR PARKS PLANNER

SWIFT CREEK GREENWAY  
AND PEDESTRIAN BRIDGE

CONSTRUCTION DESIGN DOCUMENTS

PLANS PREPARED BY:  
421 Perimeter Street, Suite 400  
Cary, NC 27513  
919-388-2700  
www.stewart-engineering.com  
**STEWART**

PROFESSIONAL ENGINEER  
DAVID R. RUGGLES  
11725  
7-1-10

DATE: JULY 1, 2010  
DRAWN BY: JCH  
CHECKED BY: DRR  
REVISIONS:

PROJECT NO.:  
B8011.00

SCALE: NOT TO SCALE

11

DWG. NO.: 11 OF 19