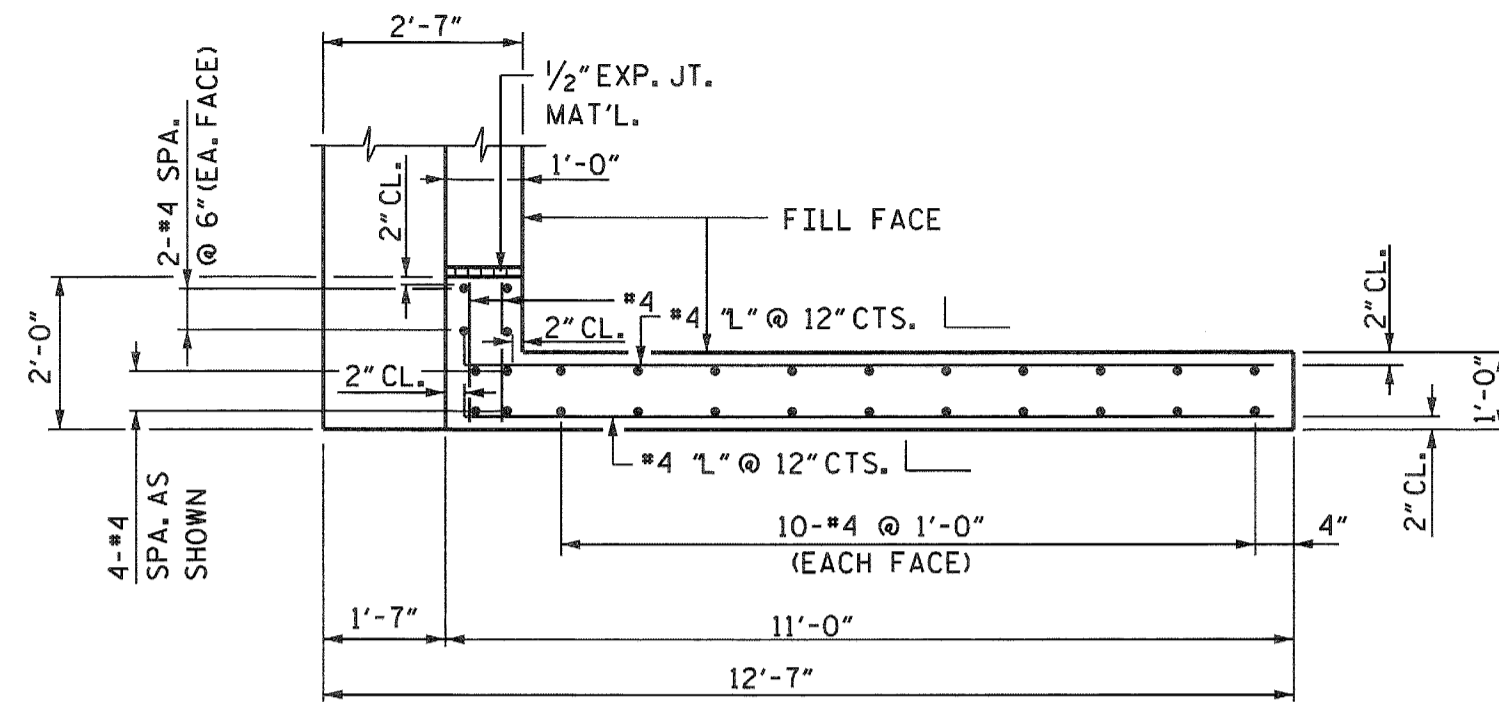
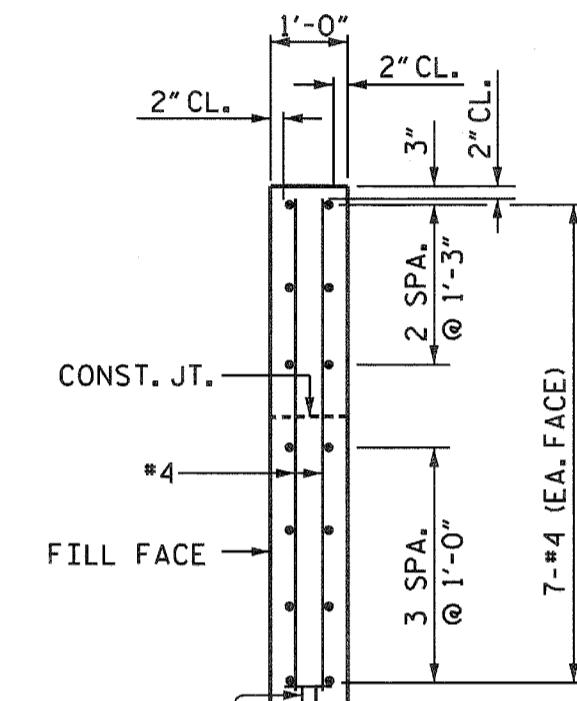


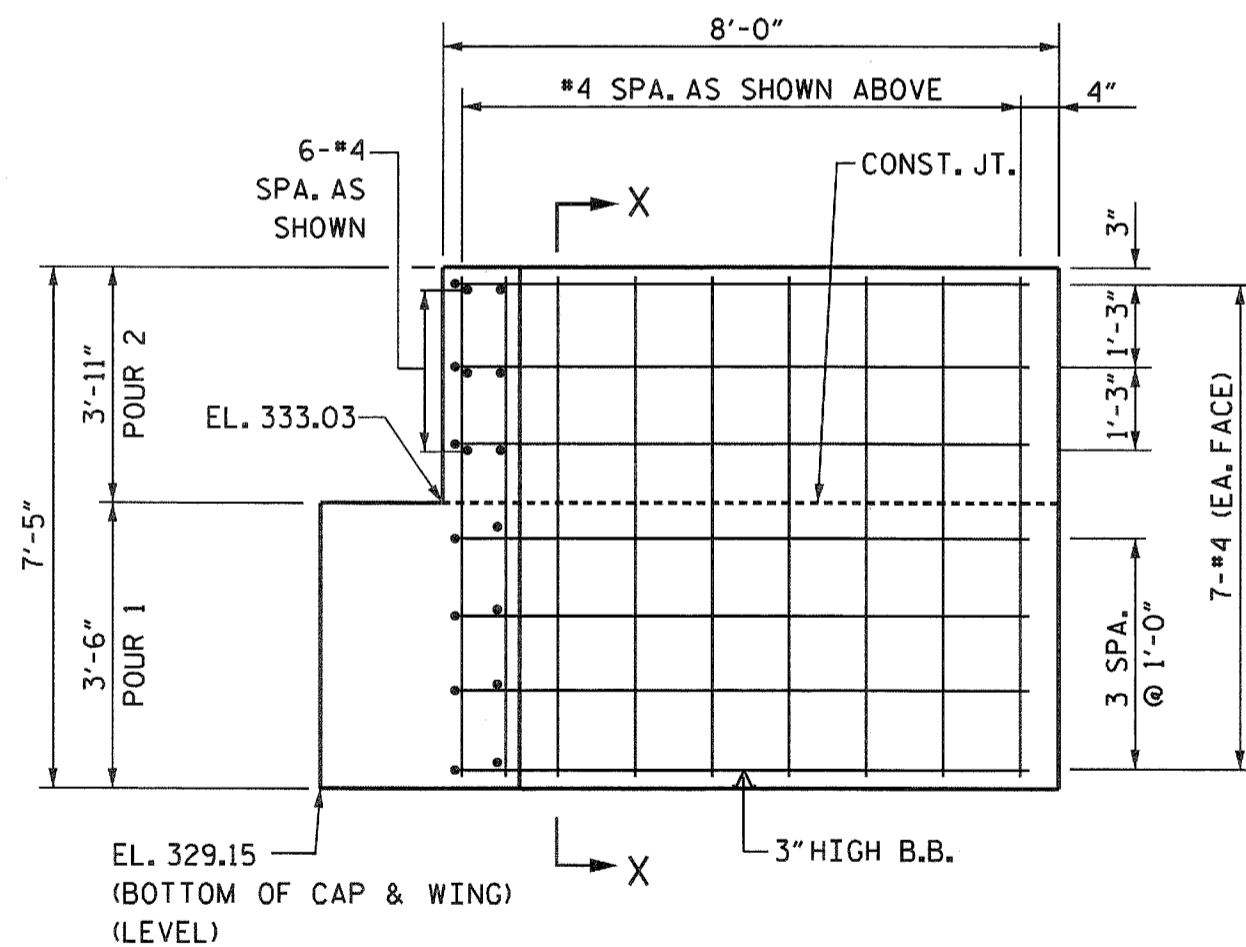
PLAN OF LEFT WINGWALL



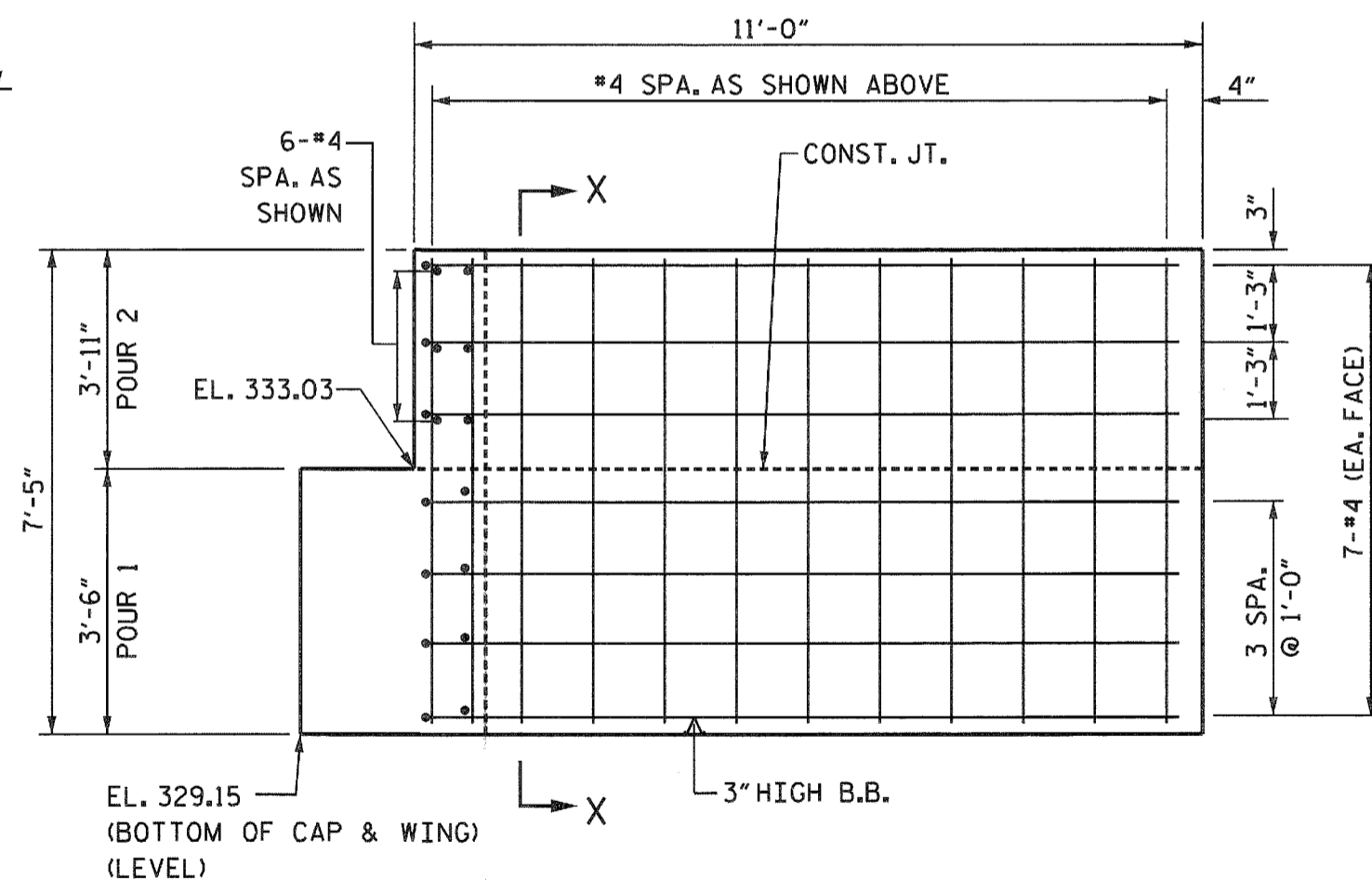
PLAN OF RIGHT WINGWALL



SECTION X-X



ELEVATION OF LEFT WINGWALL



ELEVATION OF RIGHT WINGWALL

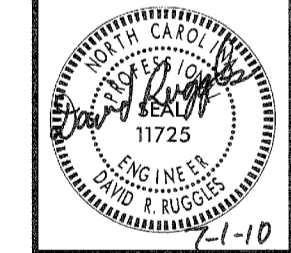
END BENT 2 WINGWALL DETAILS

09-SP-057		APPROVED		TOWN OF CARY	
APPROVED BY	DRC	DATE	8/30/2010		
PLANNING	KAH	DATE	8/20/2010		
ENGINEERING	JDO	DATE	8/20/2010		

TOWN OF CARY
 PARKS, RECREATION, AND
 CULTURAL RESOURCES
 316 N. ACADEMY STREET,
 CARY, NC 27512
 919-469-4061, FAX: 919-469-4344
 CONTACT:
 PAUL KUHN, SENIOR PARKS PLANNER

SWIFT CREEK GREENWAY
 AND PEDESTRIAN BRIDGE
 CONSTRUCTION DESIGN DOCUMENTS

PLANS PREPARED BY:
 STEWART



DATE:	JULY 1, 2010
DRAWN BY:	JCH
CHECKED BY:	SAB
REVISIONS:	
NO.	DATE

PROJECT NO.:
 B8011.00

SCALE: NOT TO SCALE

13