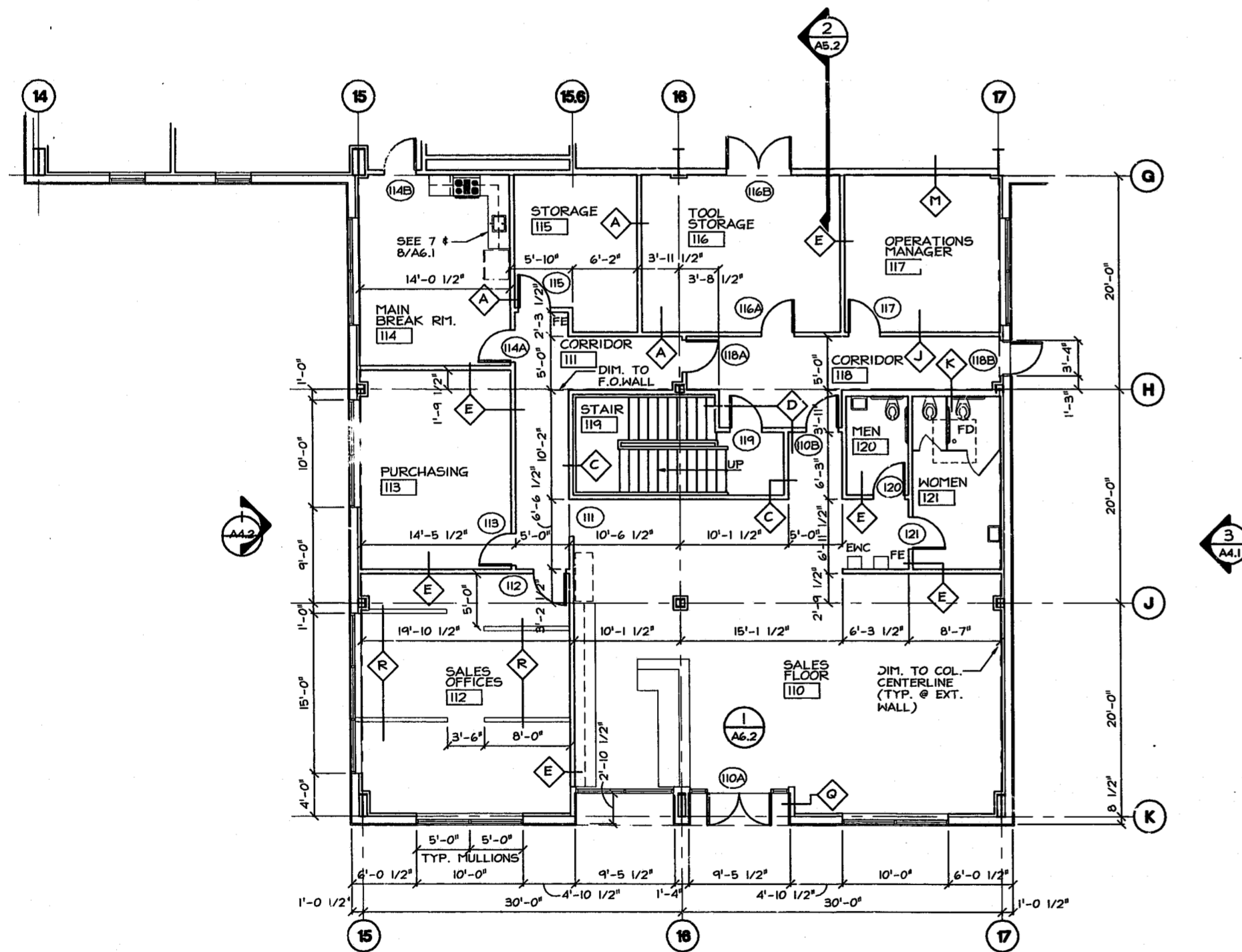


GENERAL NOTES

1. PROVIDE STENCILLED SIGNAGE ON EACH SIDE OF ALL FIRE-RATED WALLS IN 2" HIGH RED LETTERS, WITH TEXT AS FOLLOWS: "FIRE AND SMOKE BARRIER - PROTECT ALL OPENINGS".
2. REFRIGERATORS, ICE MAKER, RANGE AND RANGE HOOD ARE N.I.C.

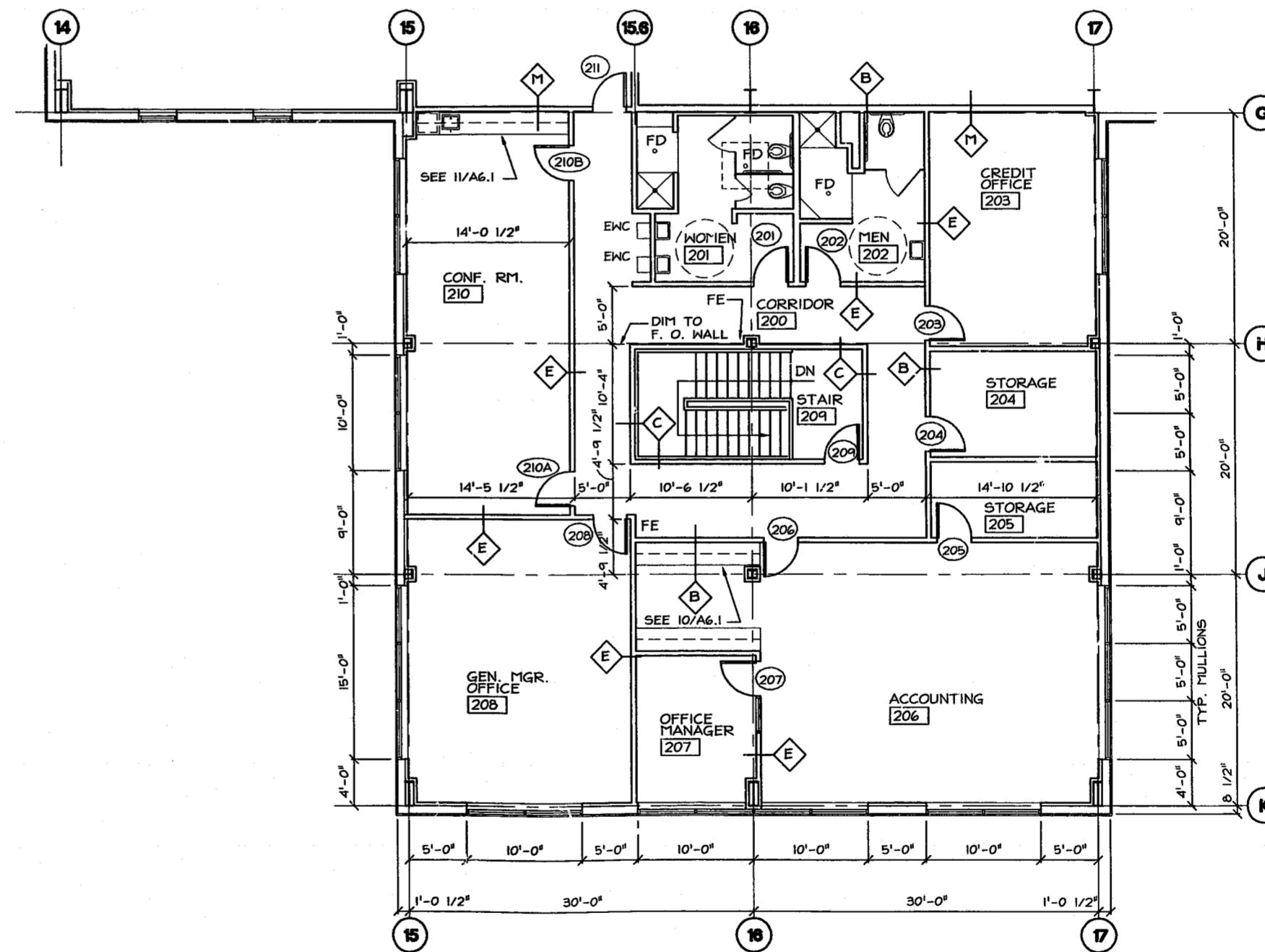
PARTITION TYPE LEGEND:

- A 3-5/8" 20 GAUGE MTL. STUDS 16" O.C. FROM FLOOR TO UNDERSIDE OF BAR JOISTS ABOVE, W/ 5/8" GMB EA. SIDE TO 9'-0" A.F.F.
- B SIM. TO PARTITION TYPE "A", BUT STUDS ARE TO EXTEND TO 9'-0" A.F.F. AND BE BRACED TO STRUCTURE ABOVE 4'-0" O.C.
- C 3-5/8" 20 GA. STUDS 16" O.C. FROM FLOOR TO UNDERSIDE OF DECK ABOVE, W/ 5/8" F.C. GMB EA. SIDE (U.L. 1-HR RATING U425)
- D SIM TO PARTITION C, BUT WALL IS TO EXTEND TO 10'-0" A.F.F., AND TURNED HORIZONTALLY OVER CORRIDOR AREA TO CREATE RATED ENCLOSURE.
- E SIM. TO PARTITION C, BUT NOT FIRE-RATED, W/ 3" THERMAFIBER INSULATION.
- F 6" 18 GA. LOADBEARING MTL. STUDS 16" O.C. W/ 5/8" FIBERBOND GMB ON WAREHOUSE SIDE, AND 5/8" GMB ON OPPOSITE SIDE FULL HEIGHT. PROVIDE 6" FACED BATT INSUL. FULL HT.
- G SIM. TO PARTITION C, BUT TOP OF WALL TO BE 13'-4" AFF. WITH FIBERBOND IN LIEU OF GMB (UNRATED).
- H 6" 20 GA. MTL. STUDS 16" O.C. TO DECK ABOVE, W/ 5/8" FIBERBOND EA. SIDE TO 12'-0" A.F.F.
- J SIMILAR TO C, BUT W/ 3" THERMAFIBER INSULATION
- K SIM. TO PARTITION D, BUT WITH 6" 20 GAUGE MTL. STUDS
- L SIM. TO PARTITION E, BUT WITH 6" 20 GAUGE MTL. STUDS
- M 12" 75% SOLID CMU FIREWALL (4 HR RATED) W/ 3-5/8" 25 GA. MTL STUDS 16" OC ON OFFICE SIDE W/ 3-1/2" FACED BATT INSULATION IN CAVITY. PROVIDE 5/8" GMB TO 9'-0" AFF ON OFFICE SIDE OF STUDS.
- N NOT USED
- P SIM. TO PARTITION "F", BUT WITH 5/8" GMB EA. SIDE AND NO INSUL.
- Q 6" 20 GA. STUDS 16" O.C. TO UNDERSIDE OF JOISTS ABOVE, W/ MTL. SIDING ON EXTERIOR AND 5/8" GMB ON INTERIOR SIDE, W/ 6" FACED BATT INSUL. PROVIDE TRTD WD. BLKG. AS REQ'D FOR SIDING ATTACHMENT.
- R 3-5/8" 20 GA. MTL. STUDS 16" O.C. W/ 5/8" GMB EA. SIDE TO 7'-0" AFF. PROVIDE CLEAR ANODIZED CAP TRIM ON TOPS OF PARTITIONS. PROVIDE 3" X 3" X 1/4" STL. ANGLE 3" HIGH AT UNBRACED ENDS OF WALLS, BOLTED TO FLOOR.

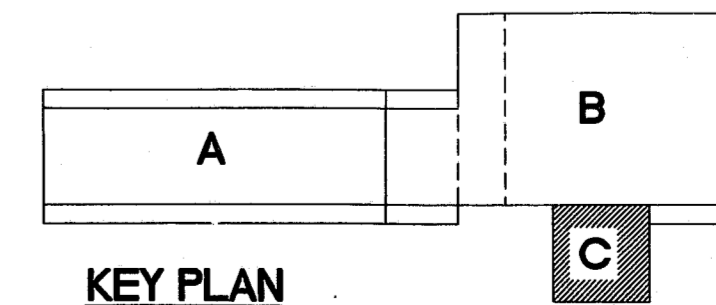


1 FIRST FLOOR PLAN
1/8" = 1'-0"

- GENERAL NOTES:
1. EXTERIOR WALL DIMENSIONS ARE TO EXTERIOR FACE OF GIRTS, INTERIOR WALL DIMENSIONS ARE TO FACE OF NOMINAL 5" OR 7" STUD WALLS AND COL. CENTERLINES, INTERNAL DIMENSIONS MEASURED FROM EXTERIOR WALLS ARE FROM COLUMN CENTERLINES.
 2. SEE A6.1 FOR ENLARGED TOILET PLANS.
 3. SEE A6.2 FOR ENLARGED STAIR PLANS.
 4. "FE" INDICATES REQUIRED FIRE EXTINGUISHER LOCATIONS.

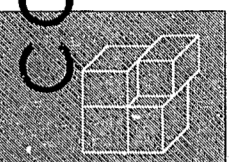


2 SECOND FLOOR PLAN
1/8" = 1'-0"



KEY PLAN

CORNERSTONE
ARCHITECTURE P.A.



phone: 919.461.9790
fax: 919.461.9774
1143-B Executive Circle
Cary, NC 27511

NOT FOR CONSTRUCTION

TRIANGLE MATERIALS, INC.
DISTRIBUTION CENTER
Cary, NC
FLOOR PLANS
OFFICE AREA C

NO.	DATE	DESCRIPTION	REVISIONS

DESIGNED	WIS
DRAWN	WIS
CHECKED	AST
PROJ. ARCH.	WIS
DATE:	DECEMBER 29, 1998

SHEET NO.
A13
OF 10
VTM7200A1-3.dwg