

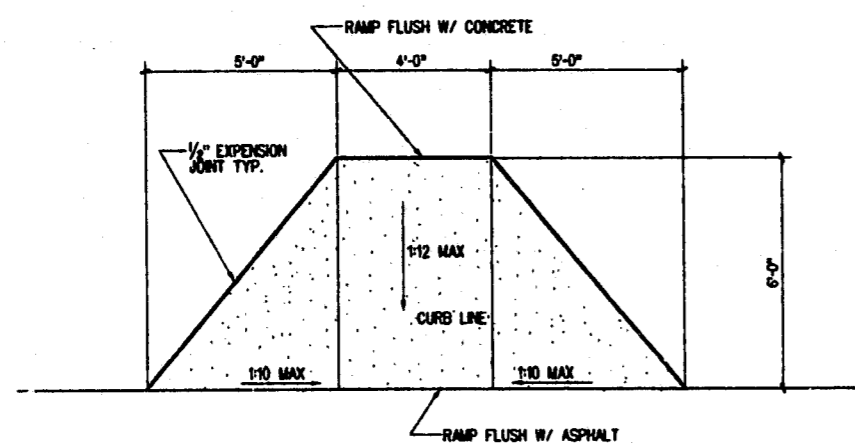


HagerSmith
Design PA

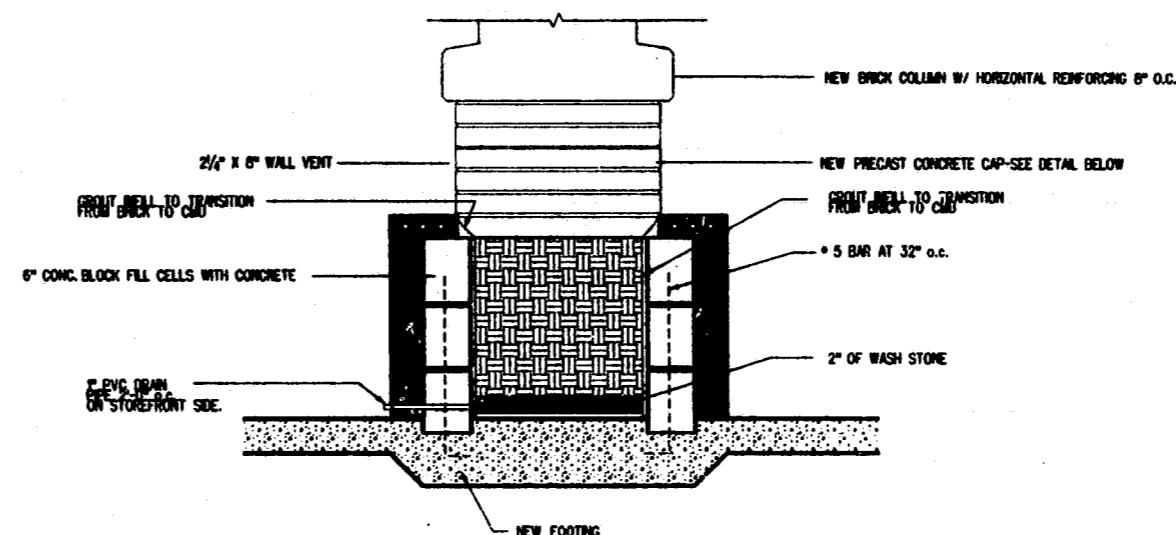
Architecture
Landscape Architecture
Planning
Interior Design

PO Box 1308
300 South Dawson Street
Raleigh, North Carolina 27602
Fax: 919.828.4050

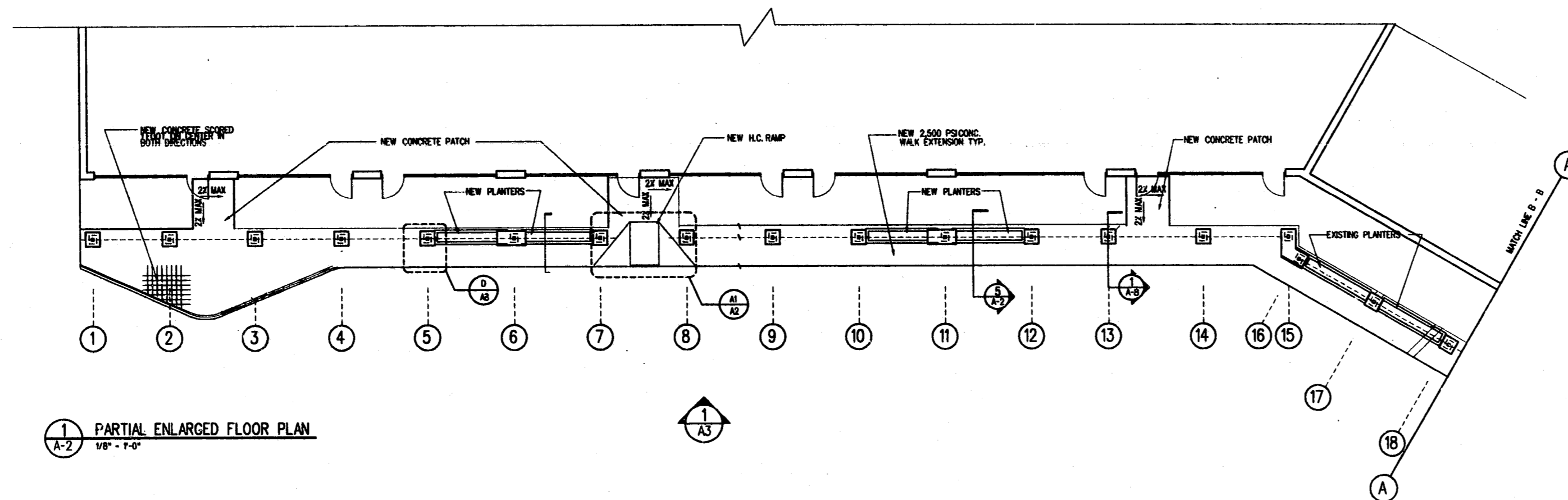
919.828.5547 © Copyright 1994



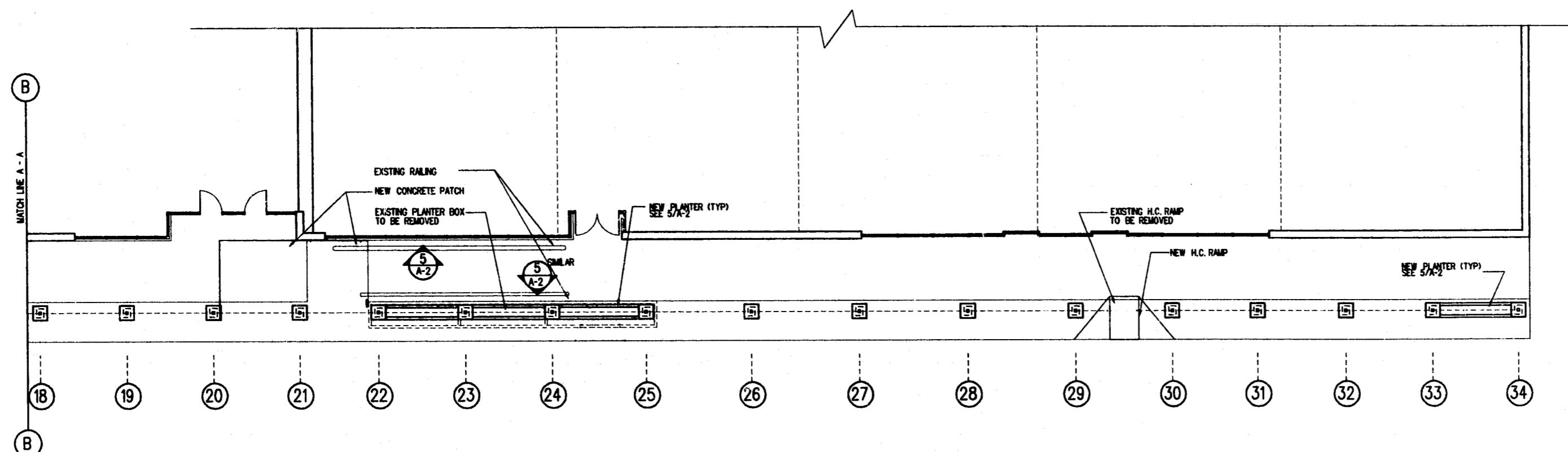
3 CURB RAMP DETAIL
1/4" = 1'-0"



5 PLANTER SECTION
1/4" = 1'-0"



1 PARTIAL ENLARGED FLOOR PLAN
1/8" = 1'-0"



2 PARTIAL ENLARGED FLOOR PLAN
1/8" = 1'-0"

STRUCTURAL ENGINEER
Name
Address
City / State / Zip
Phone: 919.000.0000

MECHANICAL / ELECTRICAL ENGINEER
Name
Address
City / State / Zip
Phone: 919.000.0000

Kildare Plaza
Cary, North Carolina

NationsBank

| Program Issue | Date | Drawn | Checked |
|------------------|-------|-------|---------|
| PRE-DESIGN PHASE | 01/99 | | |
| PHASE SET | 02/99 | | |
| | 03/99 | | |

ENLARGED PLANS & SCHEDULES

| Number | Description | Date |
|--------|-------------|------|
| | | |
| | | |

Drawn By: DPB, WKA, KLD
Checked By: BSB, CMH
Date Issued: 5/31/94

A-2
2 of 12