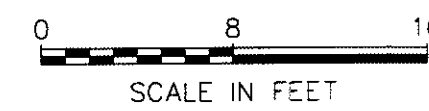
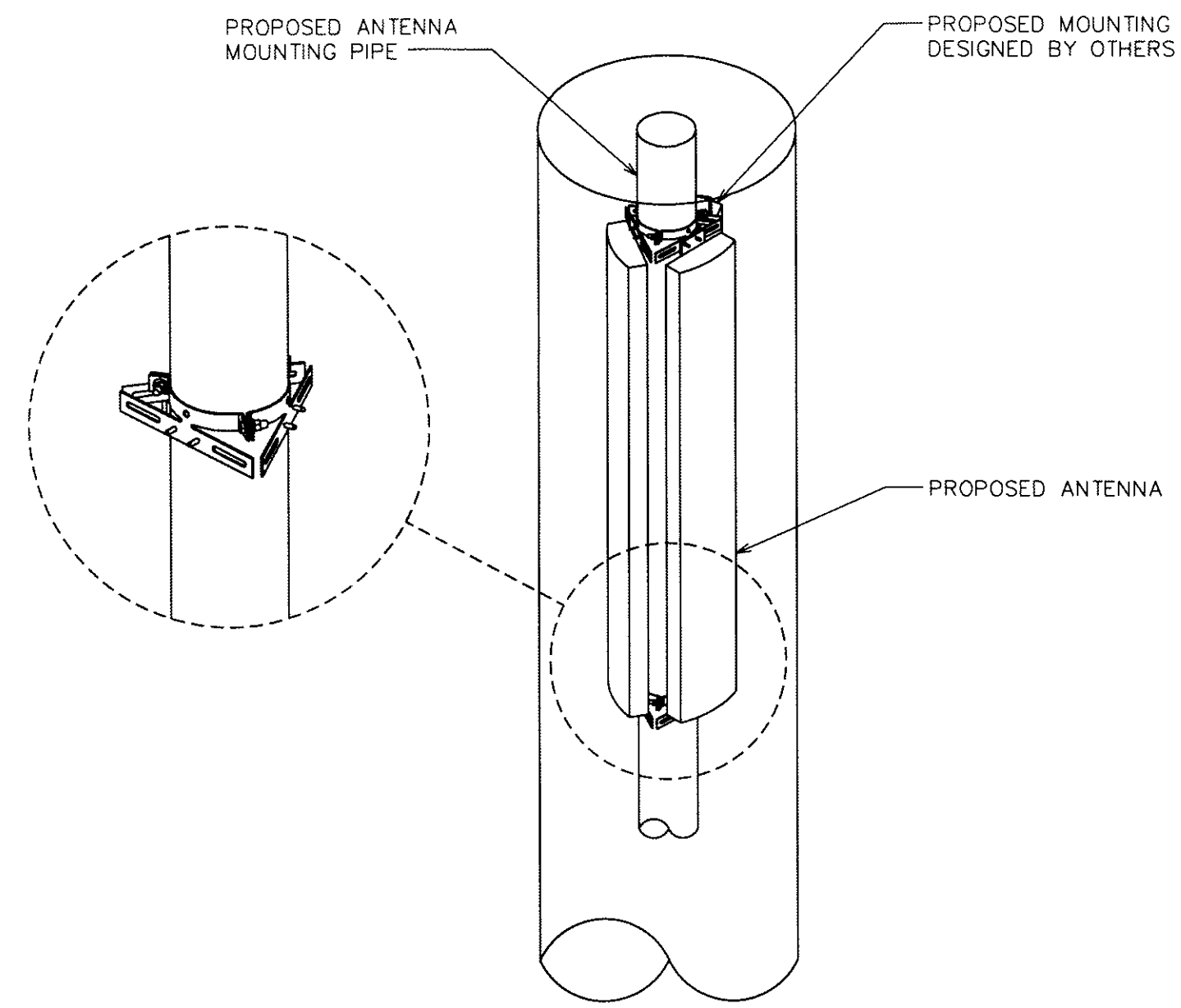


COMPOUND DETAIL

SCALE: 1/8" = 1'-0"

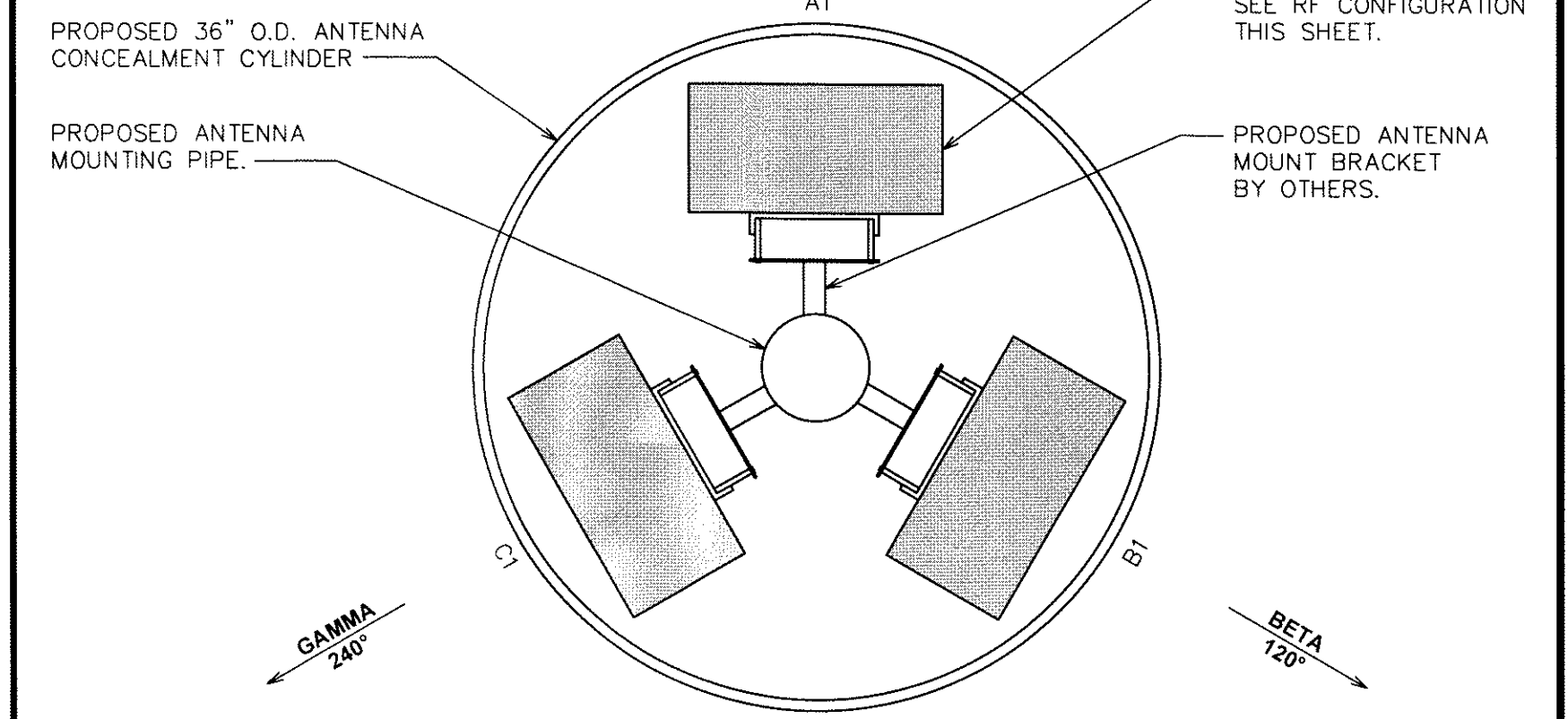


NOTE:
 1. GENERAL CONTRACTOR TO PROVIDE ANTENNA MOUNT AS SPECIFIED IN THE STRUCTURAL ANALYSIS OR BY AT&T'S CONSTRUCTION MANAGER.
 2. TEP DID NOT PERFORM A STRUCTURAL ANALYSIS ON THE MOUNT SHOWN. IT IS THE CONTRACTOR'S RESPONSIBILITY TO VERIFY THAT THE MOUNT PURCHASED WILL SATISFY THE ANTENNA LOADING REQUIREMENTS AS DETERMINED BY THE CARRIER.



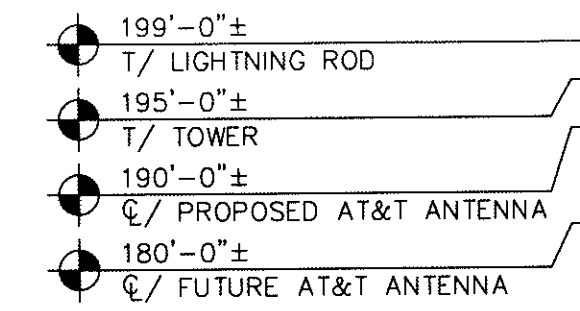
ANTENNA MOUNT DETAILS

SCALE: N.T.S.



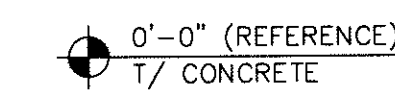
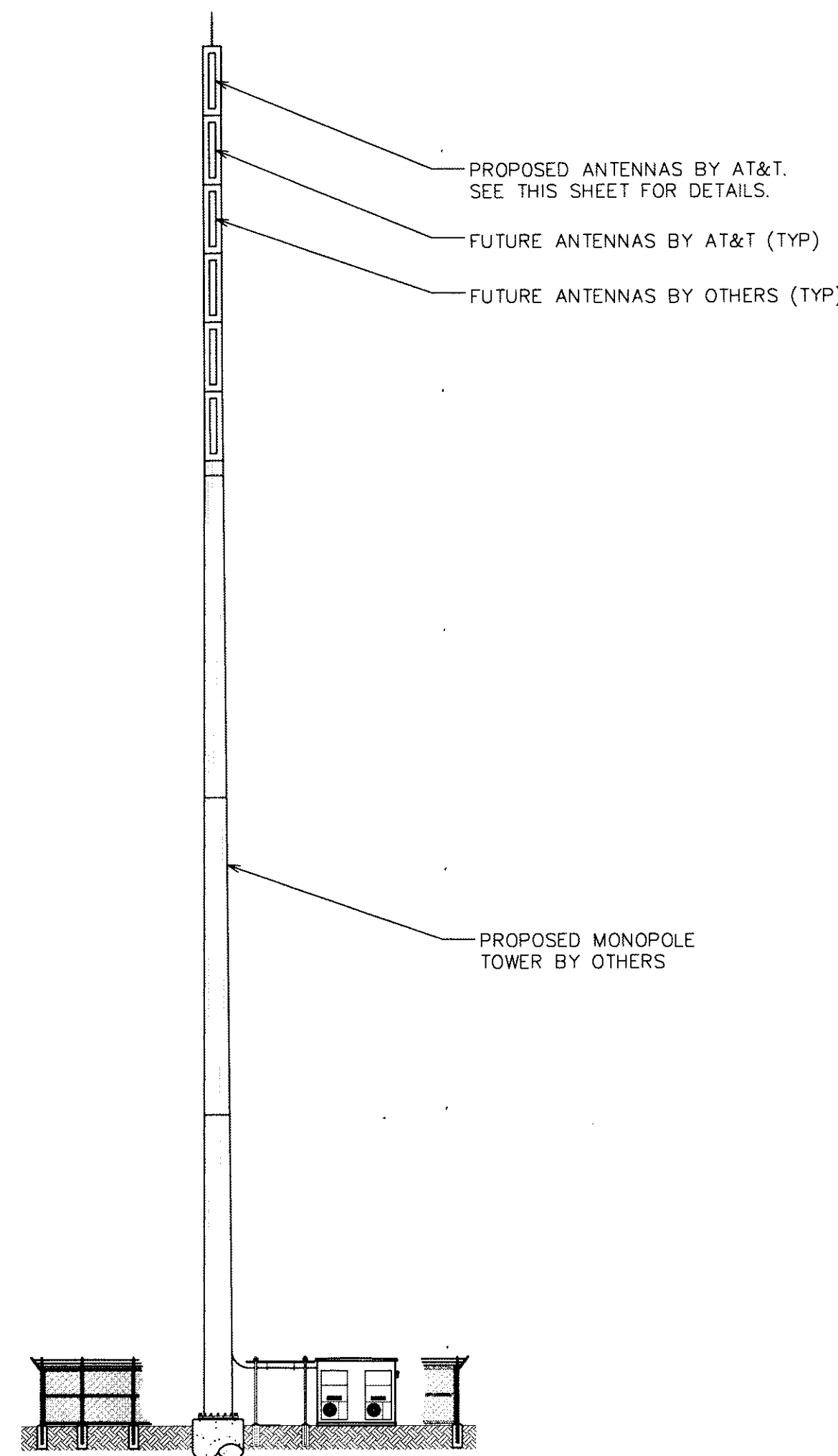
MOUNT ORIENTATION

SCALE: 1/2" = 1'-0"



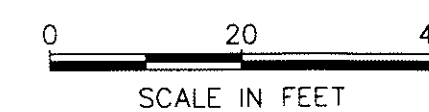
NOTES:

- TOWER SHALL BE CONSTRUCTED OF GALVANIZED STEEL OR PAINTED PER APPLICABLE STANDARDS OF THE FAA OR OTHER APPLICABLE FEDERAL OR STATE AGENCY.
- A SINGLE SIGN, 2 FEET SQUARE, IN A VISIBLE LOCATION SHALL BE REQUIRED WITH NAME AND EMERGENCY TELEPHONE NUMBER OF THE TOWER OWNER AND ALL COMPANIES OPERATING ON THE TOWER. NO ADVERTISING SHALL BE ATTACHED TO THE TOWER.
- PROPOSED CABLES TO BE ROUTED PER SPECIFICATIONS OF STRUCTURAL ANALYSIS.



TOWER ELEVATION

SCALE: 1" = 20'



PROPOSED/FUTURE ANTENNA/CABLE SCHEDULE											
ANT.	SECTOR	PROPOSED/FUTURE	TECH.	MANUFACTURER (MODEL #)	AZIMUTH*	MOUNTING HEIGHT	ELEC. D-TILT	MECH. D-TILT	DC6 MODEL	CABLE RUN	CABLE LENGTH
A1	ALPHA	PROPOSED	LTE/UMTS	KATHREIN 80010692V01	0°	⊕ @ 190'-0"	4°	0°	N/A	(6) 1 1/2" COAX	225'±
B1	BETA	PROPOSED		KATHREIN 80010692V01	120°	⊕ @ 190'-0"	4°	0°			
C1	GAMMA	PROPOSED		KATHREIN 80010692V01	240°	⊕ @ 190'-0"	4°	0°			
A1	ALPHA	FUTURE	LTE	ANDREW SBNHH-1D65C	0°	⊕ @ 180'-0"	1°	0°	N/A	(6) 1 1/2" COAX	213'±
B1	BETA	FUTURE		ANDREW SBNHH-1D65C	120°	⊕ @ 180'-0"	1°	0°			
C1	GAMMA	FUTURE		ANDREW SBNHH-1D65C	240°	⊕ @ 180'-0"	1°	0°			

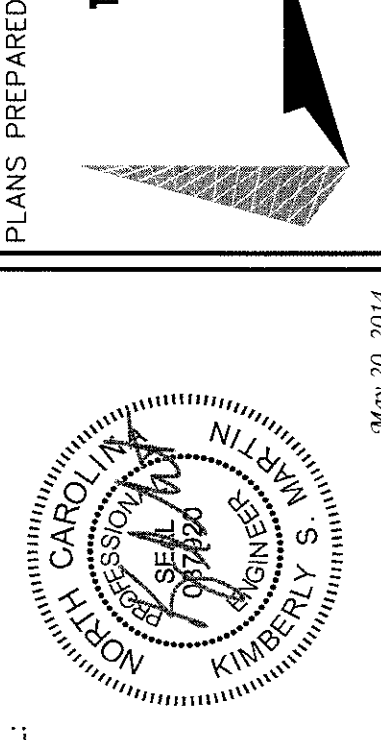
* - AZIMUTHS BASED ON TRUE NORTH

RF CONFIGURATION

SCALE: N.T.S.

PLANS PREPARED FOR:
Mastec
 Network Solutions

PLANS PREPARED BY:
TOWER ENGINEERING PROFESSIONALS
 3703 JUNCTION BOULEVARD
 RALEIGH, NC 27605-5263
 OFFICE: (919) 861-6361
 FAX: (919) 861-6360
 N.C. LICENSE # C-1794



SEAL:

REV	DATE	DESCRIPTION
1	09-12-13	PRELIMINARY
2	09-25-13	CONSTRUCTION
3	01-22-14	CONSTRUCTION
4	02-28-14	CONSTRUCTION
5	04-07-14	CONSTRUCTION
6	05-20-14	CONSTRUCTION

DRAWN BY: CSN CHECKED BY: KSN

14-SP-027
 HTRK 14-1322
 APPROVED FOR THE CITY OF CARY
 DEVELOPMENT REVIEW COMMITTEE
 PLANNER: *[Signature]* DATE: 2/11/2014

PROJECT INFORMATION:
AT&T #: 368-501
 1670 OLD APEX ROAD
 CARY, NC 27511
 (WAKE COUNTY)

SHEET TITLE:
CIVIL DETAILS I

SHEET NUMBER:
C-2

REVISION:
6

TEP #: 131549