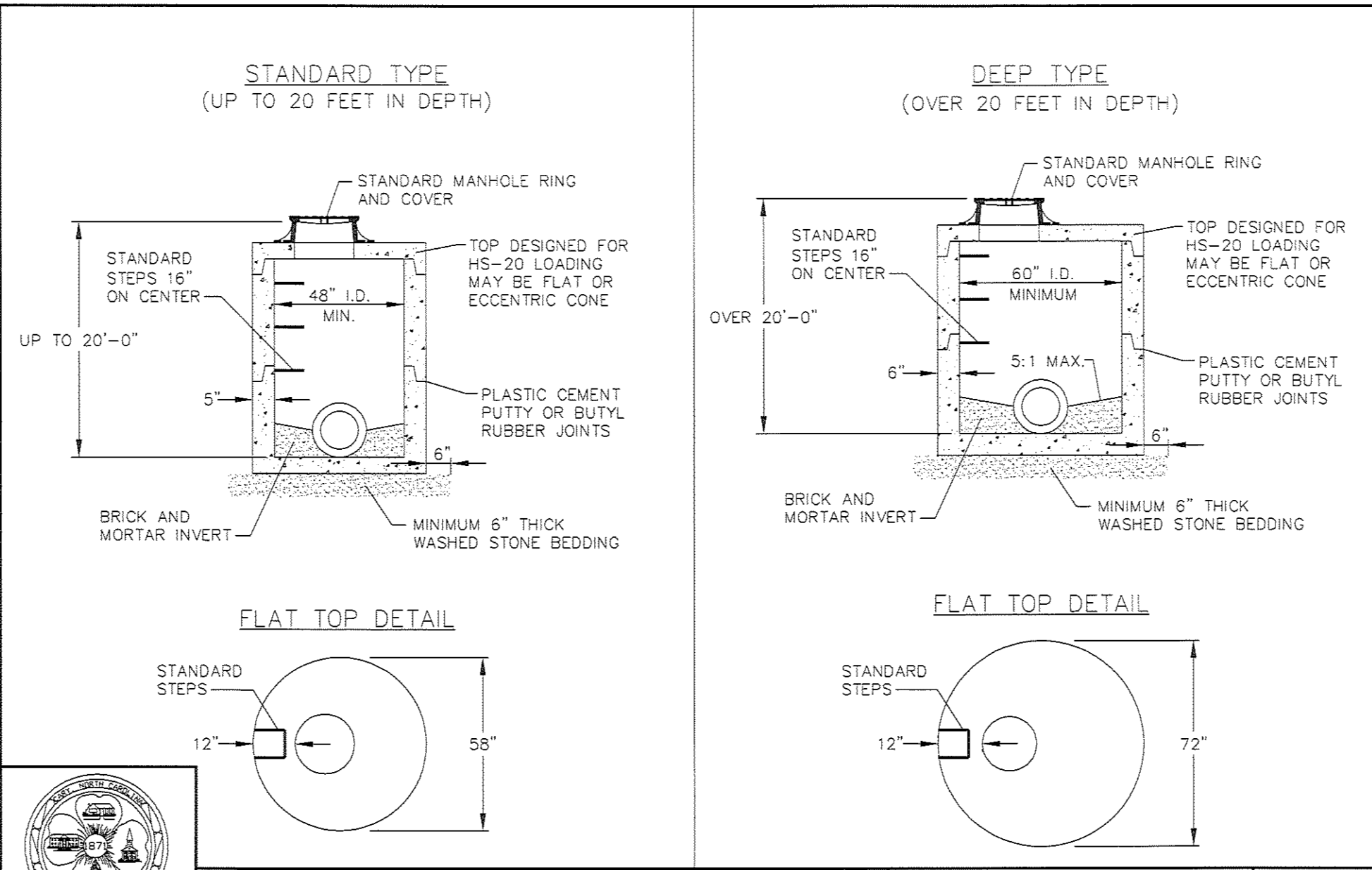


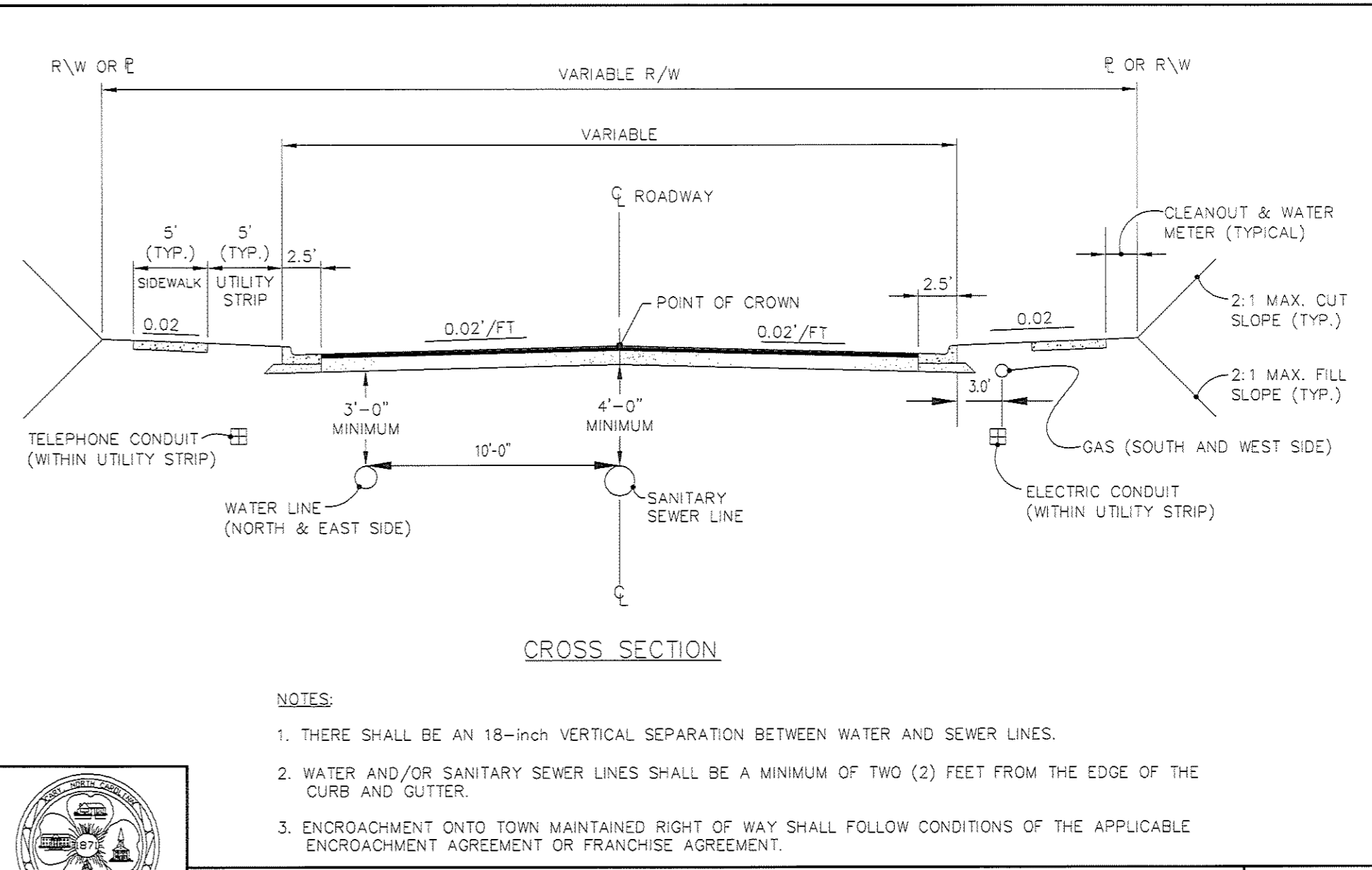
STANDARD MANHOLE RING AND COVER (TYPE 1 PAVED AREAS)

EFFECTIVE: 07/01/04



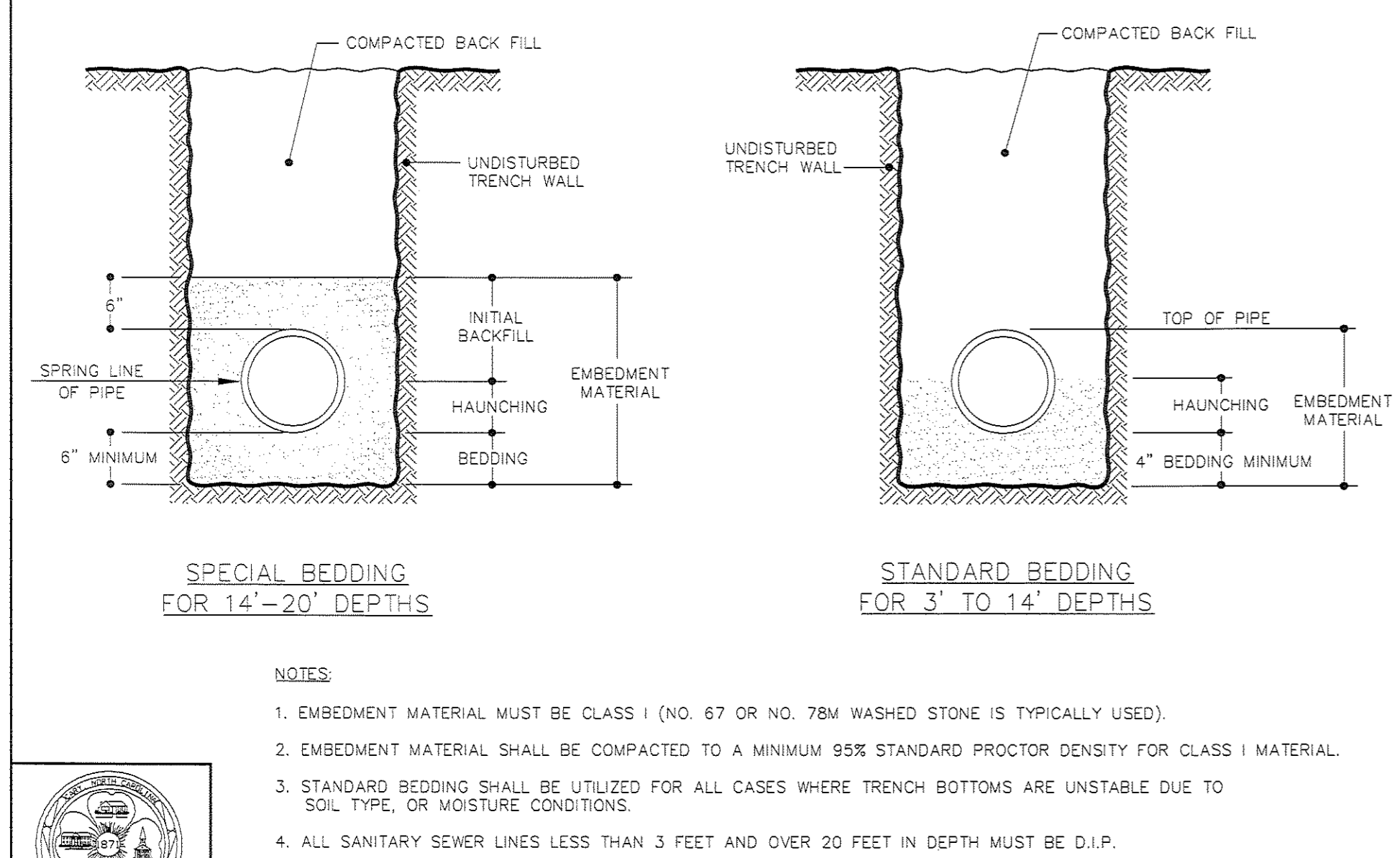
STANDARD PRECAST CONCRETE MANHOLE JUNCTION BOX

EFFECTIVE: 07/01/04



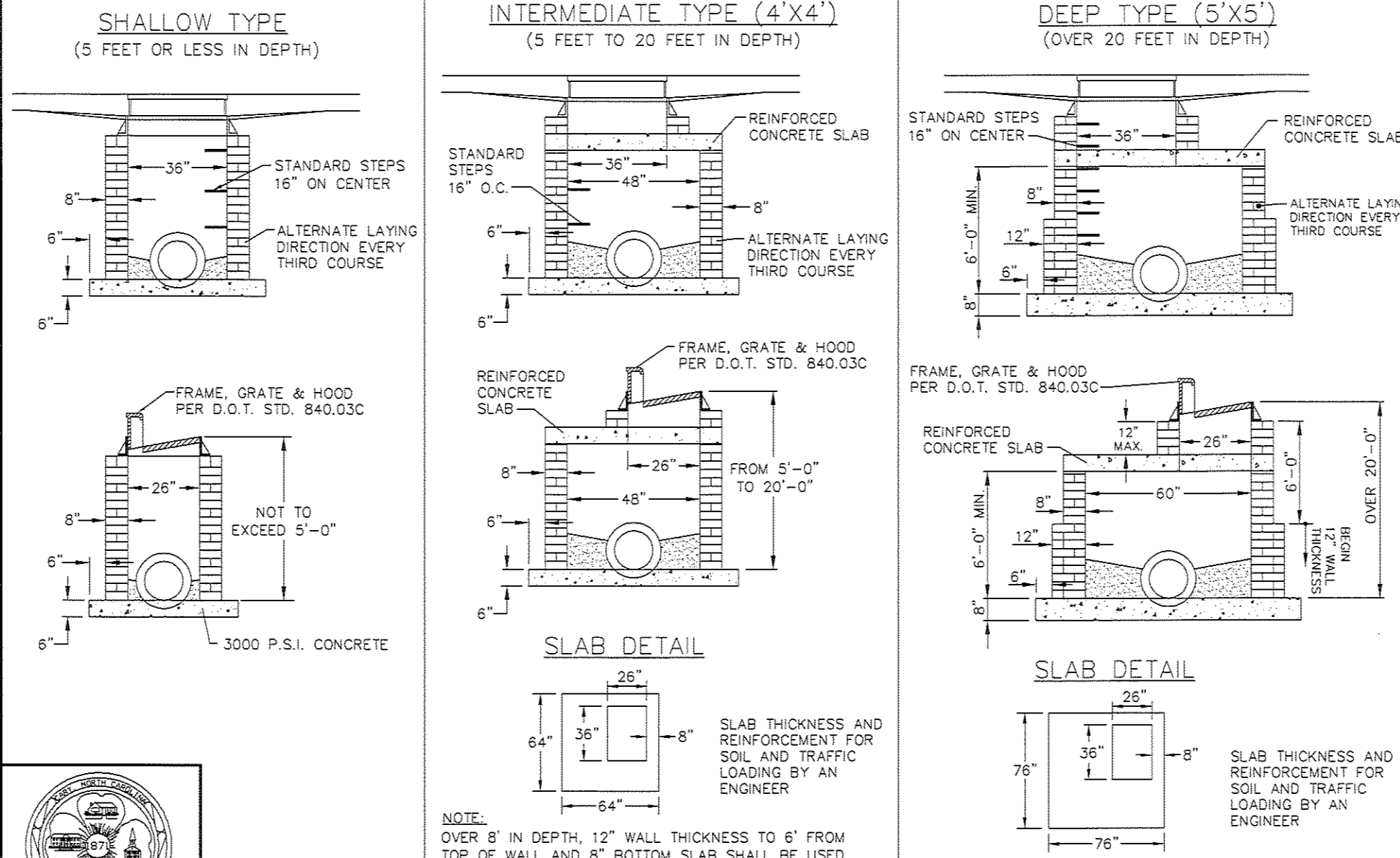
STANDARD UTILITY LOCATIONS IN STREET

EFFECTIVE: 07/01/04



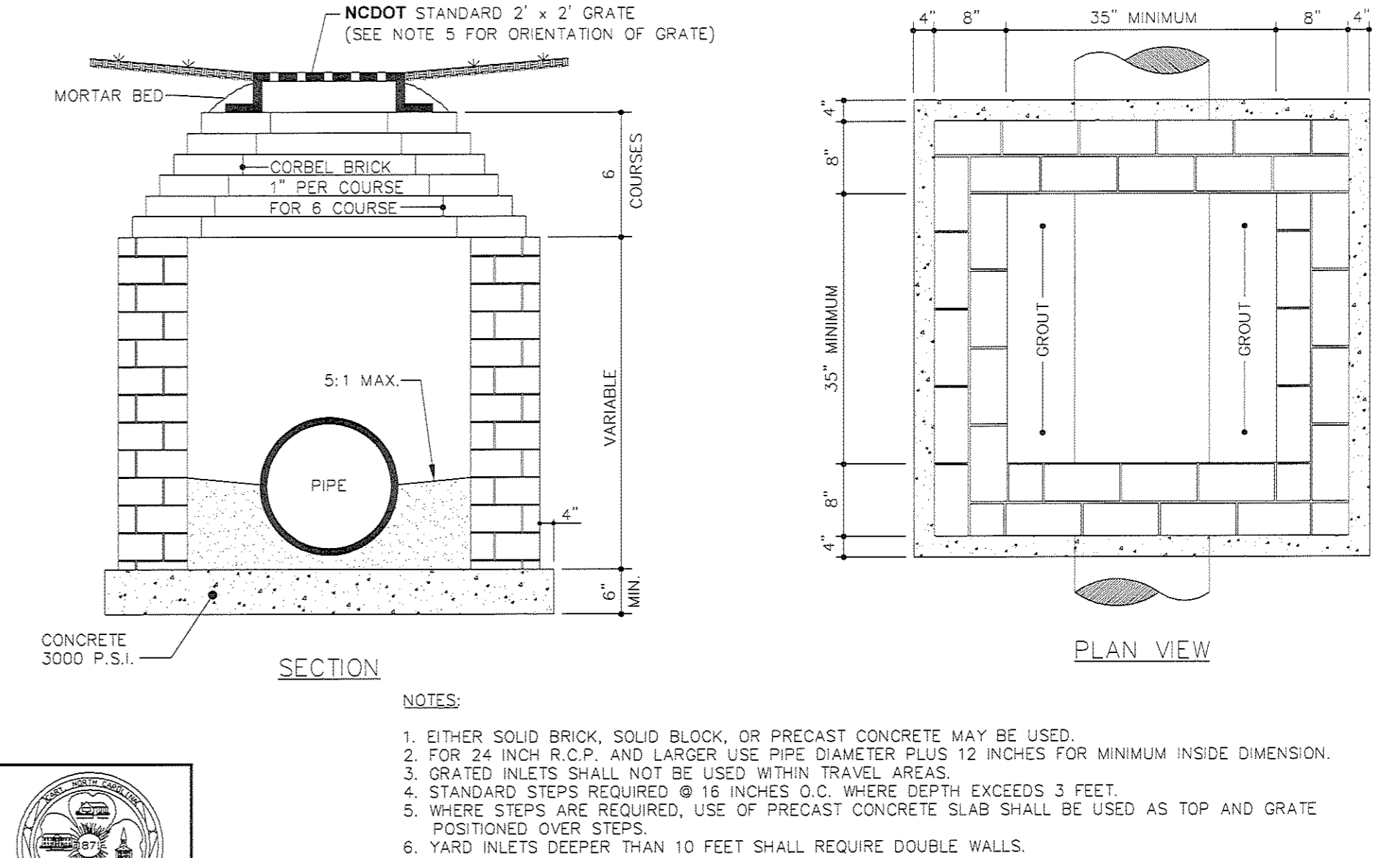
BEDDING FOR FLEXIBLE & SEMI-RIGID SANITARY SEWER PIPE

EFFECTIVE: 07/01/04



STANDARD CONCRETE BLOCK OR BRICK CATCH BASIN

EFFECTIVE: 07/01/04



STANDARD YARD INLET WITH GRATE AND FRAME

EFFECTIVE: 07/01/04

NO. REVISION
 1 REVISED PER CITY COMMENTS

200 S. COLLEGE ST
 SUITE 720
 CHARLOTTE, NC 28202
 T 704.334.7925
 F 704.334.7926
 www.stewart-eng.com

STEWART

PERKINS EASTMAN
 520 W. SIXTH STREET
 CHARLOTTE, NC 28202
 704.940.0501
 FAX 362.4602

Owner:
UNC HOSPITALS
 101 MANNING DR SUITE 6012
 CHAPEL HILL, NC 27514

Civil / Site:
STEWART ENGINEERING
 200 S. COLLEGE ST SUITE 720
 CHARLOTTE, NC 28202 704.334.7925

Landscape:
STEWART ENGINEERING
 200 S. COLLEGE ST SUITE 720
 CHARLOTTE, NC 28202 704.334.7925

Structural:
STEWART ENGINEERING
 200 S. COLLEGE ST SUITE 720
 CHARLOTTE, NC 28202 704.334.7925

MECHANICAL, PLUMBING & FIRE PROTECTION
PWI
 4021 STRRUP CREEK DR SUITE 400
 DURHAM, NC 27703 919.460.1440

ELECTRICAL
PWI
 4021 STRRUP CREEK DR SUITE 400
 DURHAM, NC 27703 919.460.1440

POOL CONSULTANT
COUSILIAN-HUNSAKER
 10733 SUNSET OFFICE DR SUITE 400
 ST. LOUIS, MO 63129 314.884.1245

200 S. COLLEGE ST
 SUITE 720
 CHARLOTTE, NC 28202
 T 704.334.7925
 F 704.334.7926
 www.stewart-eng.com

STEWART

PERKINS EASTMAN
 520 W. SIXTH STREET
 CHARLOTTE, NC 28202
 704.940.0501
 FAX 362.4602

Owner:
UNC HOSPITALS
 101 MANNING DR SUITE 6012
 CHAPEL HILL, NC 27514

Civil / Site:
STEWART ENGINEERING
 200 S. COLLEGE ST SUITE 720
 CHARLOTTE, NC 28202 704.334.7925

Landscape:
STEWART ENGINEERING
 200 S. COLLEGE ST SUITE 720
 CHARLOTTE, NC 28202 704.334.7925

Structural:
STEWART ENGINEERING
 200 S. COLLEGE ST SUITE 720
 CHARLOTTE, NC 28202 704.334.7925

MECHANICAL, PLUMBING & FIRE PROTECTION
PWI
 4021 STRRUP CREEK DR SUITE 400
 DURHAM, NC 27703 919.460.1440

ELECTRICAL
PWI
 4021 STRRUP CREEK DR SUITE 400
 DURHAM, NC 27703 919.460.1440

POOL CONSULTANT
COUSILIAN-HUNSAKER
 10733 SUNSET OFFICE DR SUITE 400
 ST. LOUIS, MO 63129 314.884.1245

PROJECT TITLE:
AMBERLY WELLNESS CENTER

UNC
 WELLNESS CENTERS

AMBERLY
 CARY, NORTH CAROLINA

PROJECT No: 24911.00

DRAWING TITLE:

GRADING DETAILS

SCALE: NTS STEWART-X6054.00

C2.3

DATE: MARCH 7, 2007

07-SP-024
 APPROVED
 TOWN OF CARY

APPROVED BY: **DRC** DATE: **11/15/2007**
 PLANNING: **VAH** DATE: **4/28/2011**
 ENGINEERING: DATE: