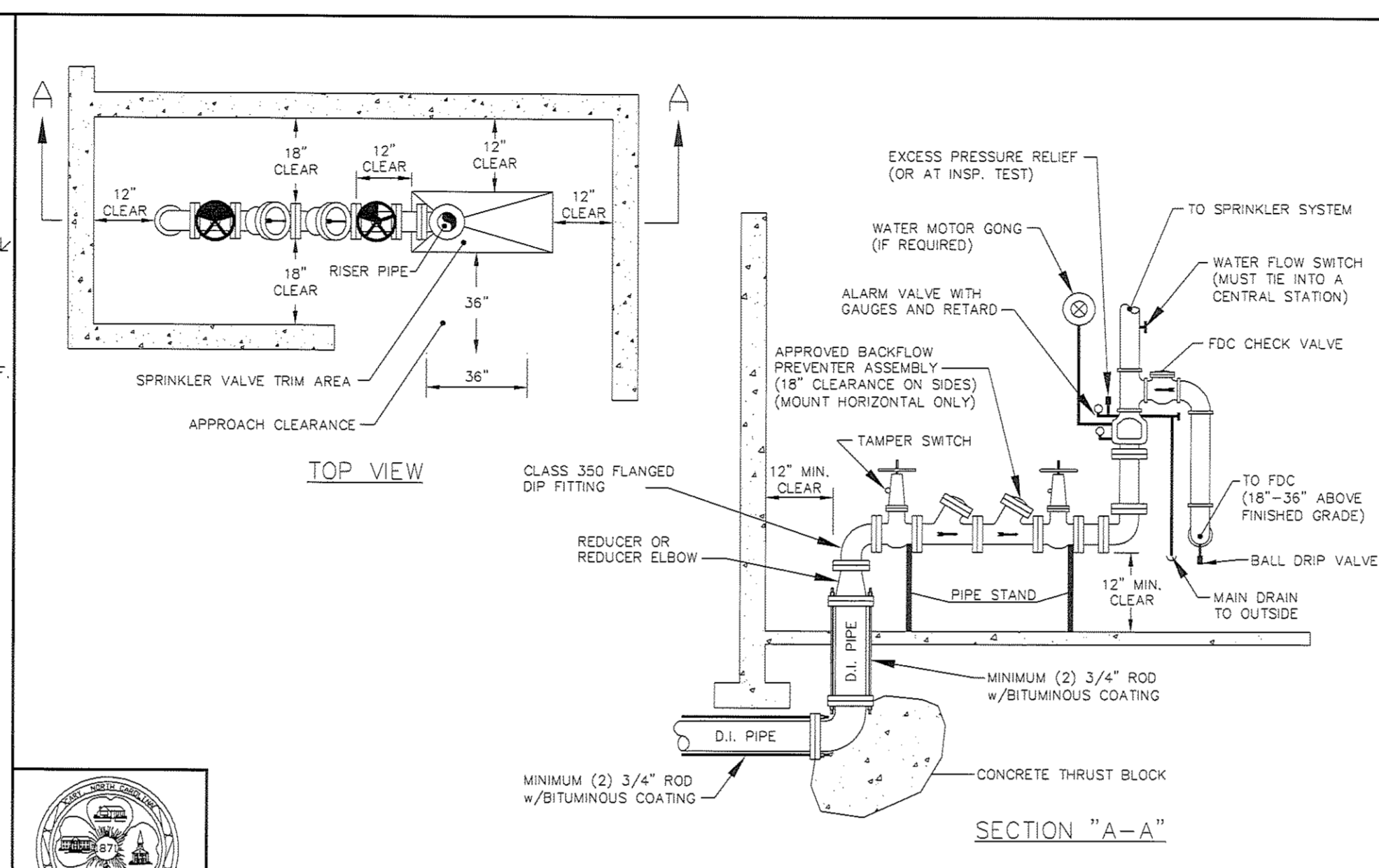


- NOTES:**
- TOP OF BLOCKING TO BE 2" FROM HYDRANT WEEP HOLES.
  - HYDRANT TEE MAY BE SUBSTITUTED FOR D.I.P. NIPPLE AND RODDING TO VALVE.
  - TAPPING SADDLES MAY BE USED INSTEAD OF A TEE FOR WATER LINES LARGER THAN 18 INCHES.
  - IF HYDRANT IS LOCATED ON A DOT ROADWAY USE DOT STANDARDS FOR LOCATION OF HYDRANT
  - STD. RODDING AND BLOCKING FROM GATE VALVE TO HYDRANT MAY BE SUBSTITUTED WITH A CONCENTRIC RING RESTRAINT SYSTEM SUCH AS MUELLER AQUAGRIP OR AN APPROVED EQUAL PRODUCT PROVIDED ALL PIPE SEGMENTS ARE RESTRAINED.

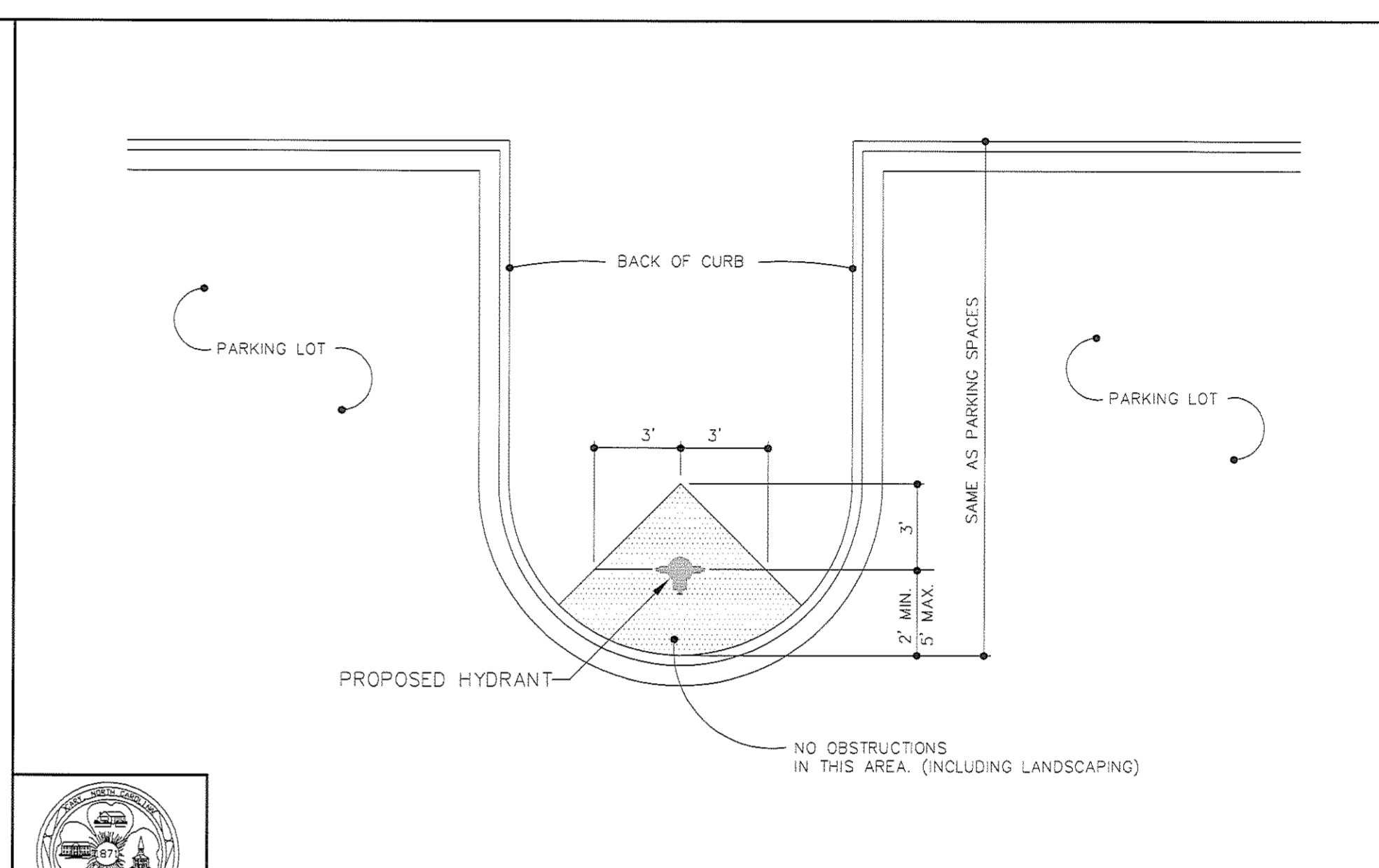
**STANDARD HYDRANT INSTALLATION**

DETAIL No. 06000.06  
SHEET 1 OF 1



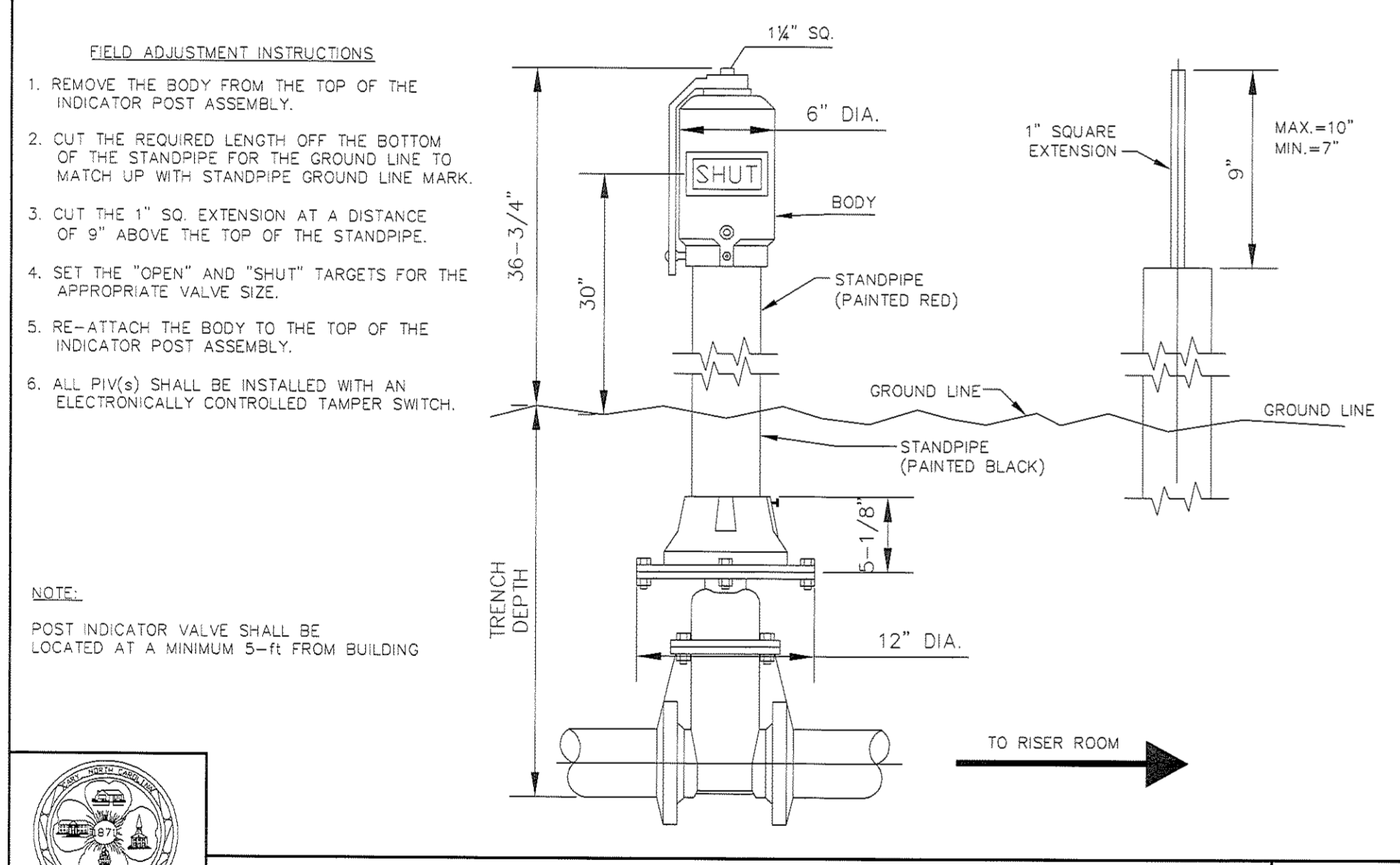
**STANDARD SPRINKLER RISER**

DETAIL No. 06000.17  
SHEET 1 OF 1



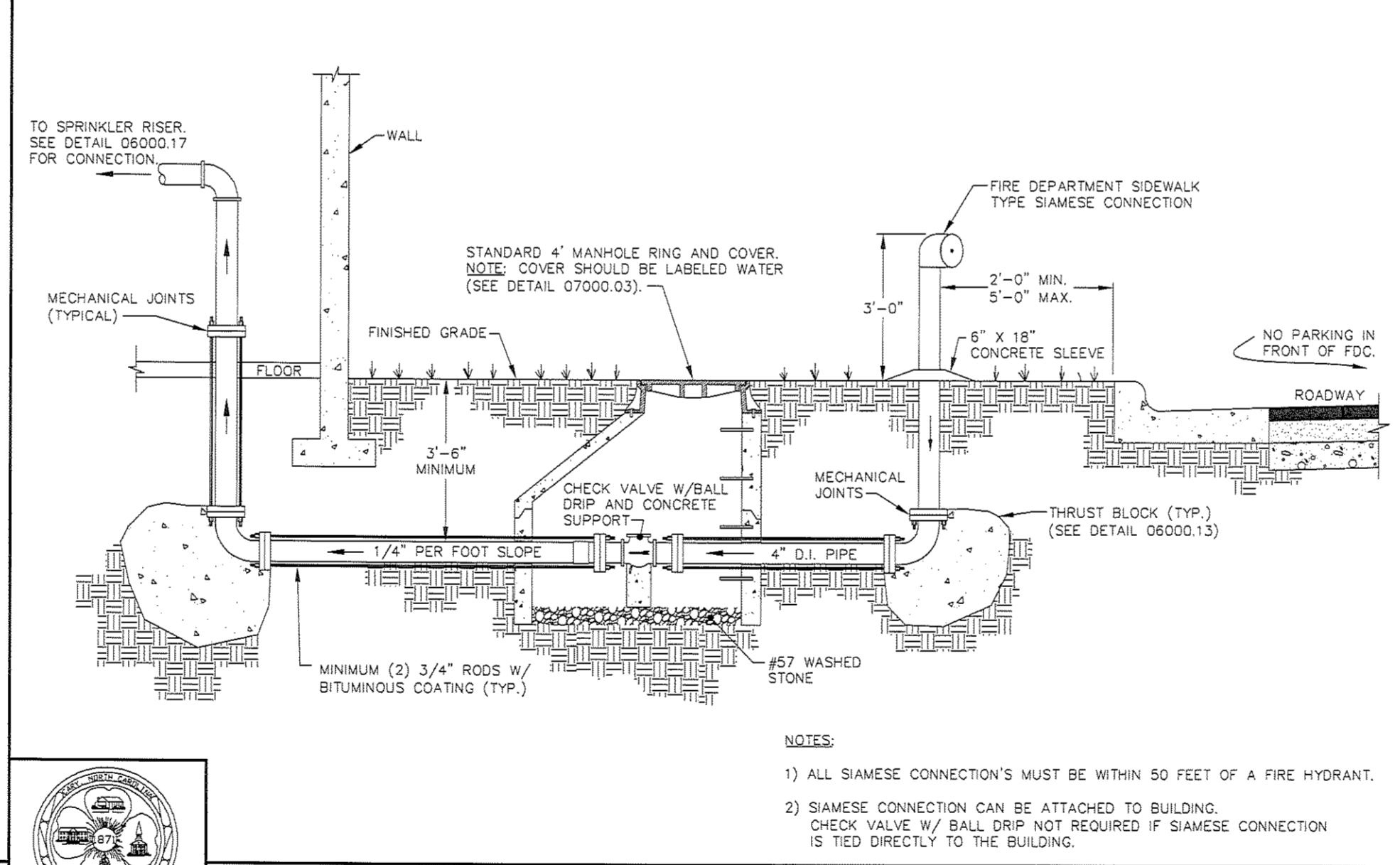
**STANDARD HYDRANT LOCATION (FOR PARKING LOT)**

DETAIL No. 06000.07  
SHEET 2 OF 2



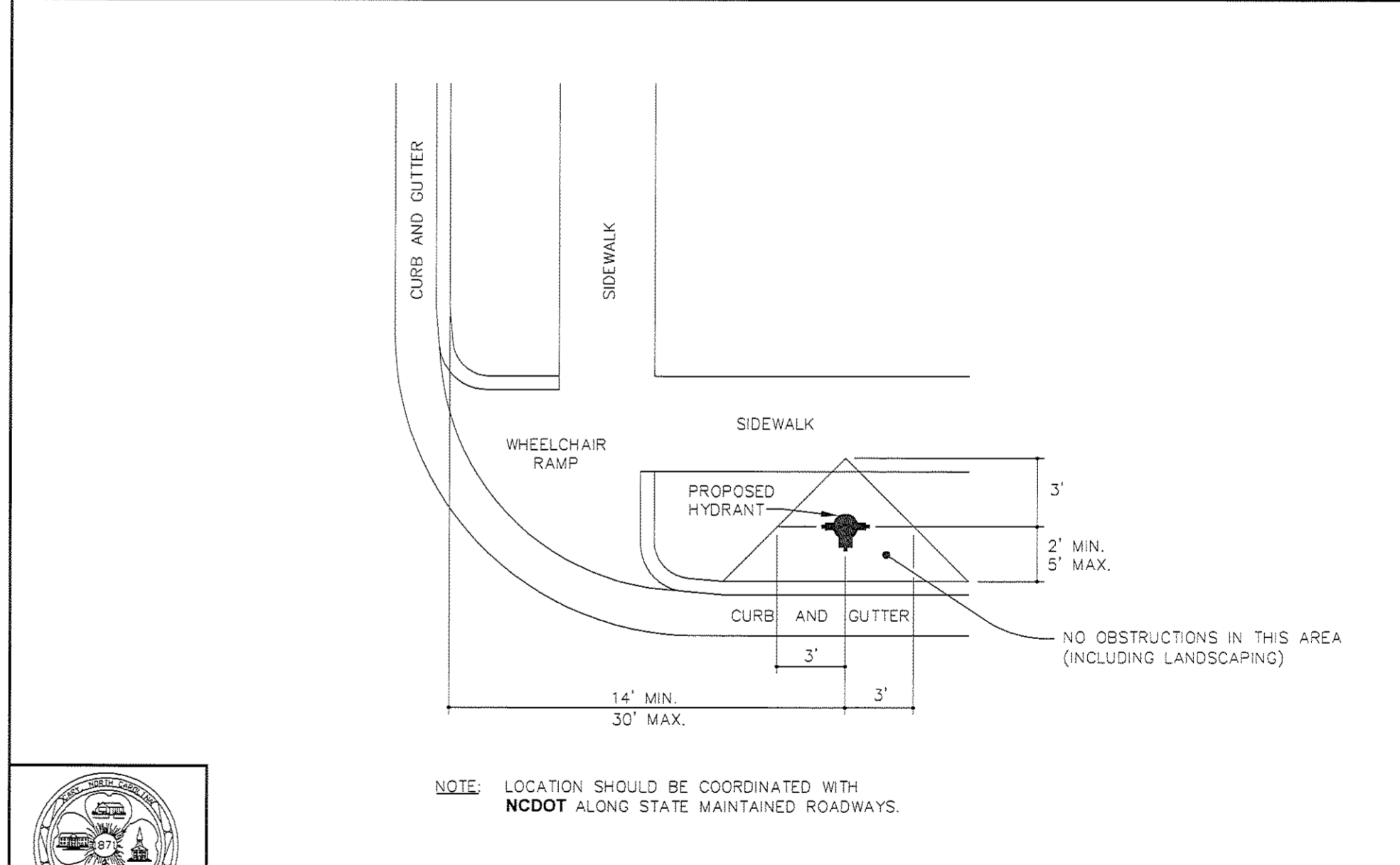
**STANDARD TAPPING SLEEVE & POST INDICATOR VALVE**

DETAIL No. 06000.19  
SHEET 1 OF 1



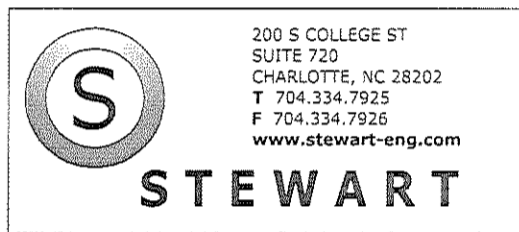
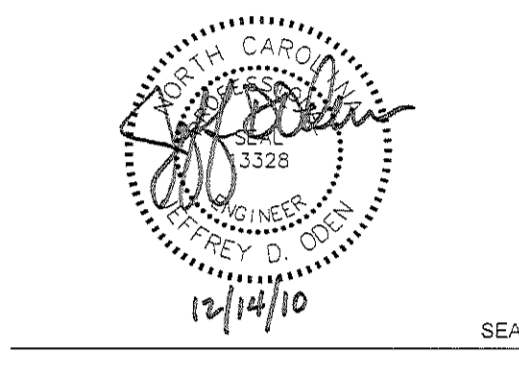
**CURB SIDE FIRE DEPARTMENT CONNECTION**

DETAIL No. 06000.18  
SHEET 1 OF 1



**STANDARD HYDRANT LOCATION**

DETAIL No. 06000.07  
SHEET 1 OF 2



**PERKINS EASTMAN**  
520 W. SIXTH STREET  
CHARLOTTE, NC 28202  
704.940.0501  
Fax 362.4602

**Owner:**  
UNC HOSPITALS  
101 MANNING DR SUITE 6012  
CHAPEL HILL, NC 27514

**Civil / Site:**  
STEWART ENGINEERING  
200 S. COLLEGE ST SUITE 720  
CHARLOTTE, NC 28202 704.334.7925

**Landscape:**  
STEWART ENGINEERING  
200 S. COLLEGE ST SUITE 720  
CHARLOTTE, NC 28202 704.334.7925

**Structural:**  
STEWART ENGINEERING  
200 S. COLLEGE ST SUITE 720  
CHARLOTTE, NC 28202 704.334.7925

**MECHANICAL, PLUMBING & FIRE PROTECTION**  
PWI  
4021 STIRRUP CREEK DR SUITE 400  
DURHAM, NC 27703 919.460.1440

**ELECTRICAL**  
PWI  
4021 STIRRUP CREEK DR SUITE 400  
DURHAM, NC 27703 919.460.1440

**POOL CONSULTANT**  
COUSILMAN-HUNSAKER  
10733 SUNSET OFFICE DR SUITE 400  
ST. LOUIS, MO 63122 314.884.1245

**PROJECT TITLE:**  
AMBERLY WELLNESS CENTER

**UNC WELLNESS CENTERS**  
AMBERLY  
CARY, NORTH CAROLINA  
PROJECT No: 24911.00

**DRAWING TITLE:**  
UTILITY DETAILS

**SCALE:** NTS  
STEWART-X6054.00

**C3.2**

**DATE:** MARCH 7, 2007

07-SP-024  
APPROVED  
TOWN OF CARY  
APPROVED BY: DRC DATE 10/15/2007  
PLANNING: KAH DATE 4/26/2011  
ENGINEERING: DATE