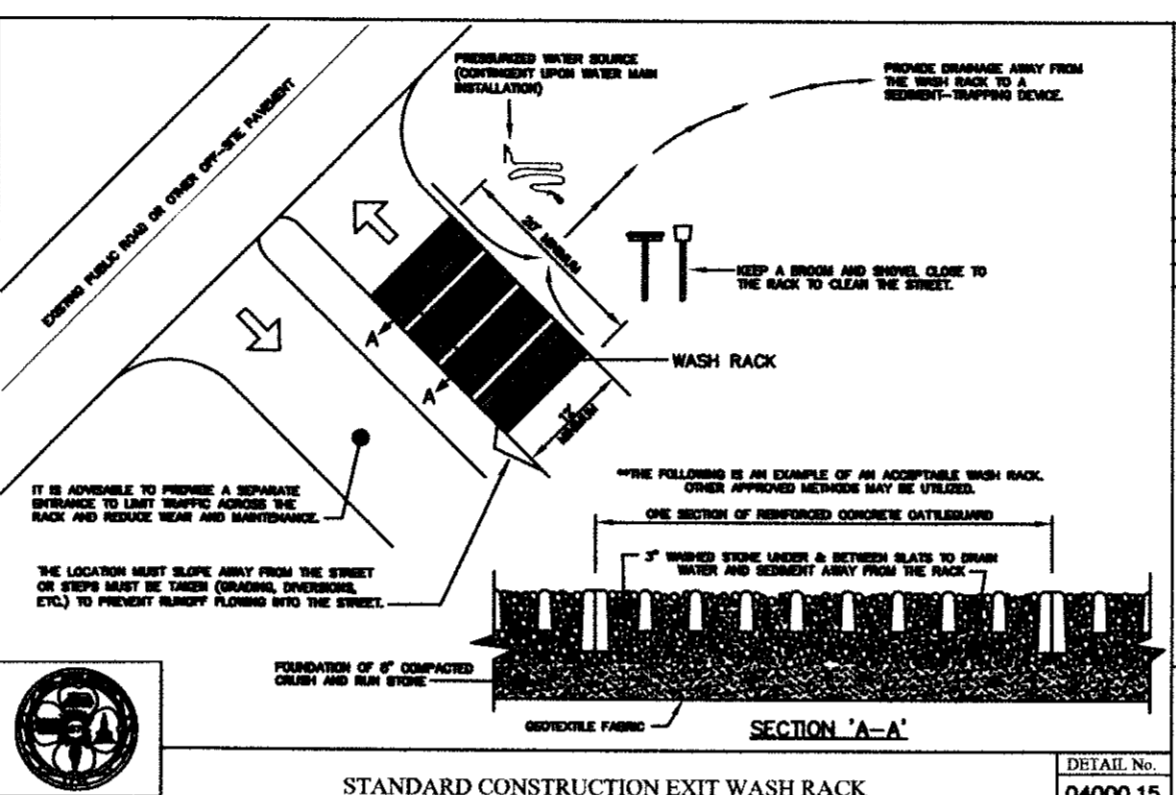
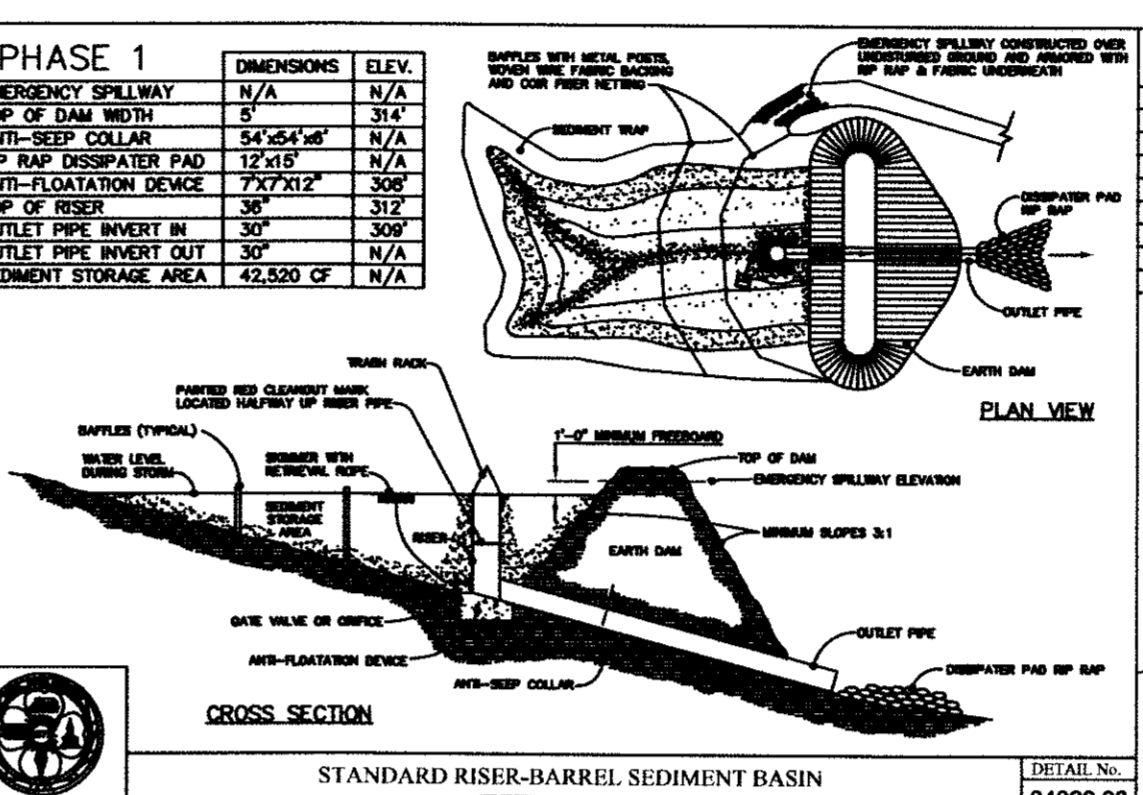


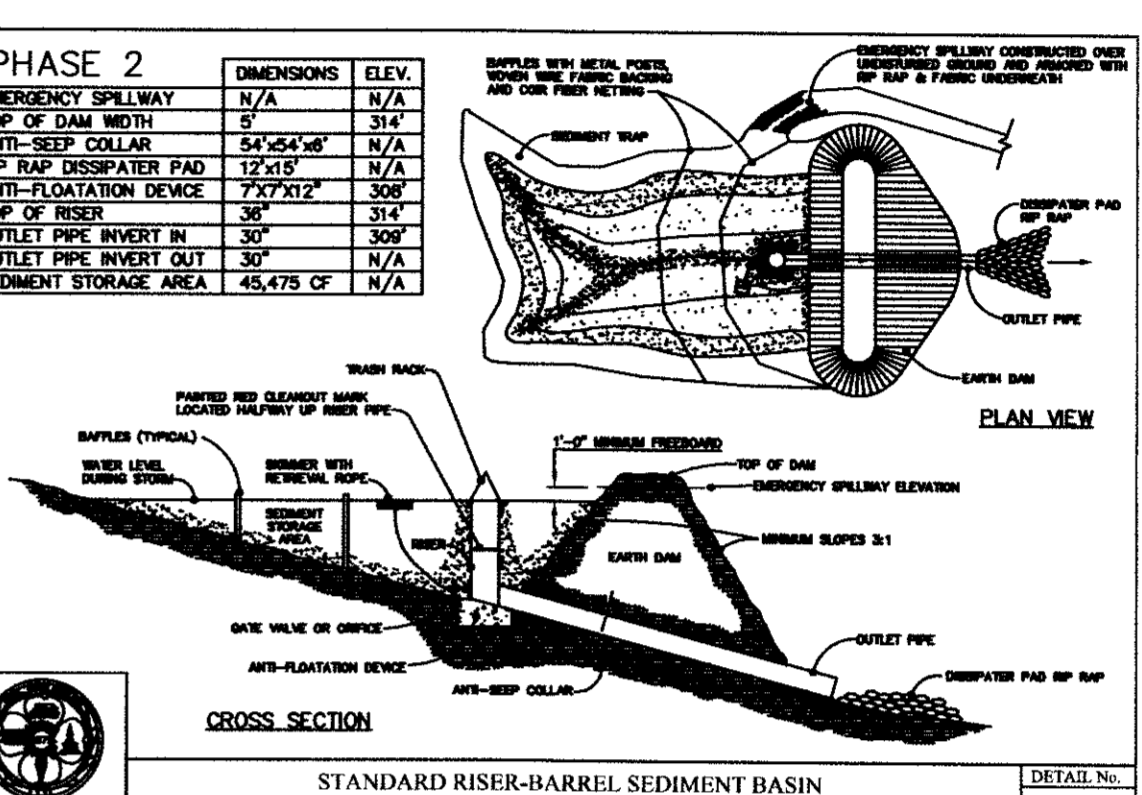
STANDARD CONSTRUCTION ENTRANCE
 DETAIL No. 04000.07
 SHEET 1 OF 1
 EFFECTIVE: 12/10/09



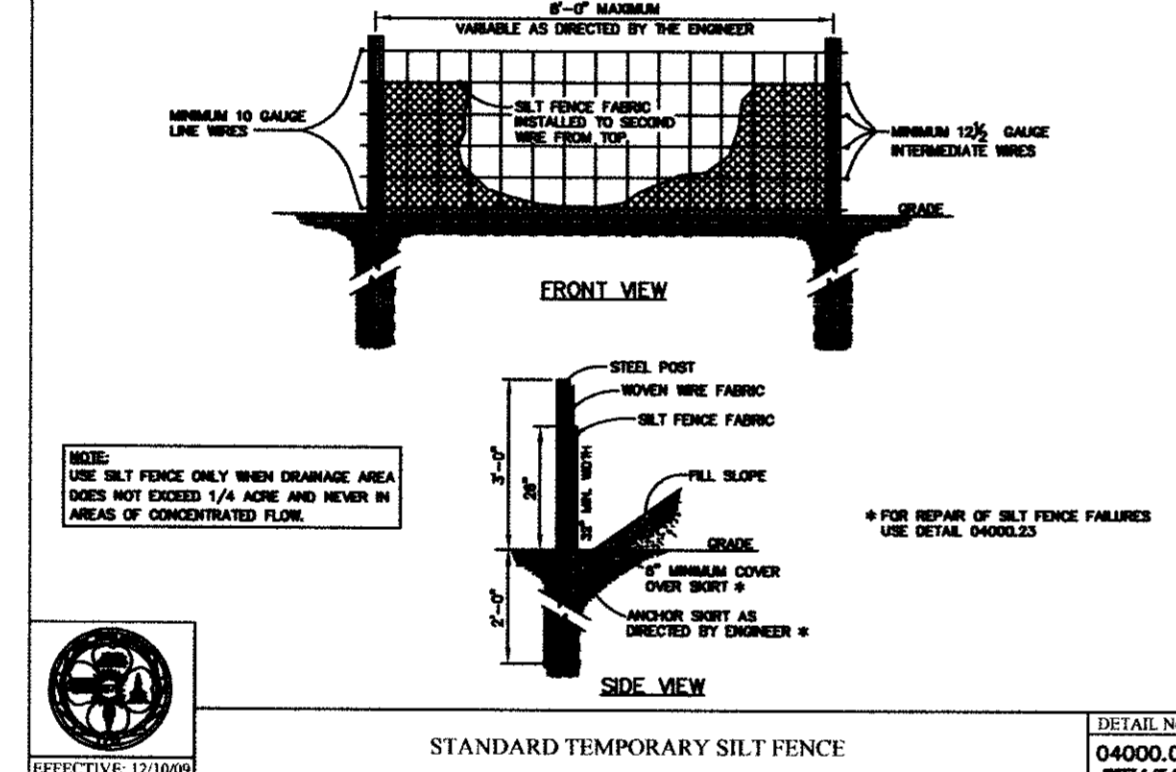
STANDARD CONSTRUCTION EXIT WASH RACK
 DETAIL No. 04000.15
 SHEET 1 OF 1
 EFFECTIVE: 12/10/09



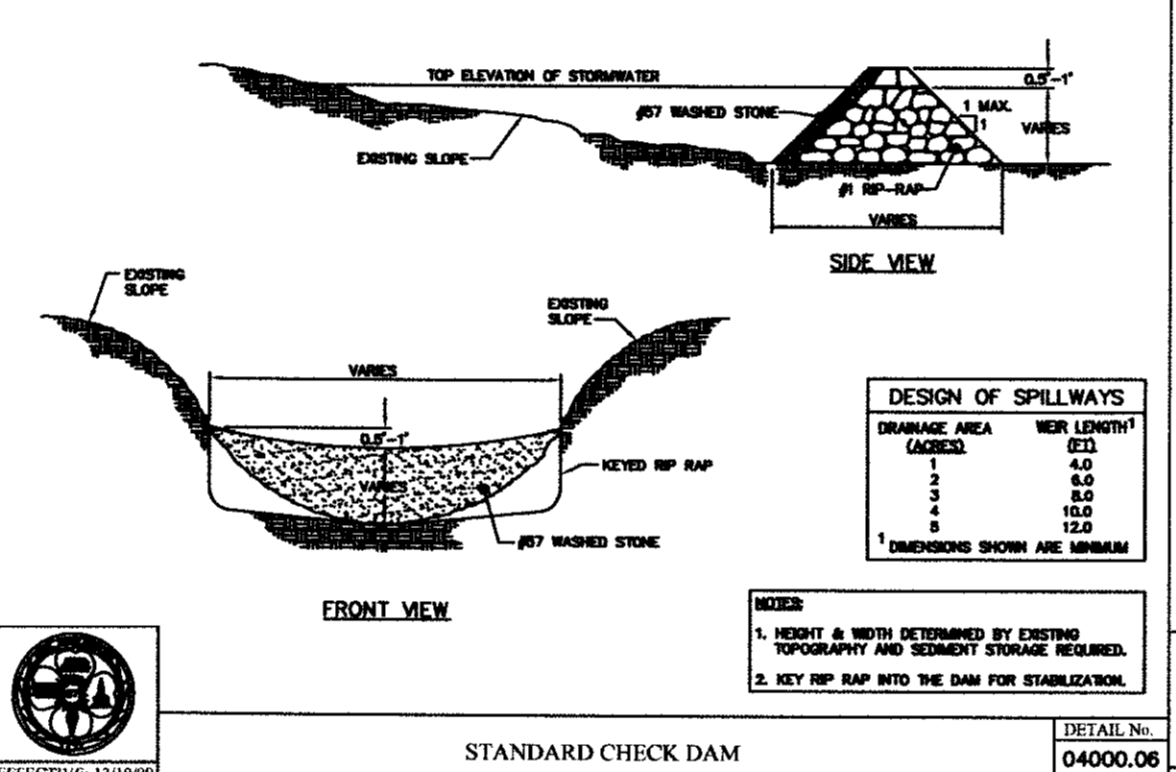
STANDARD RISER-BARREL SEDIMENT BASIN (WITH SKIMMER)
 DETAIL No. 04000.02
 SHEET 1 OF 1
 EFFECTIVE: 12/10/09



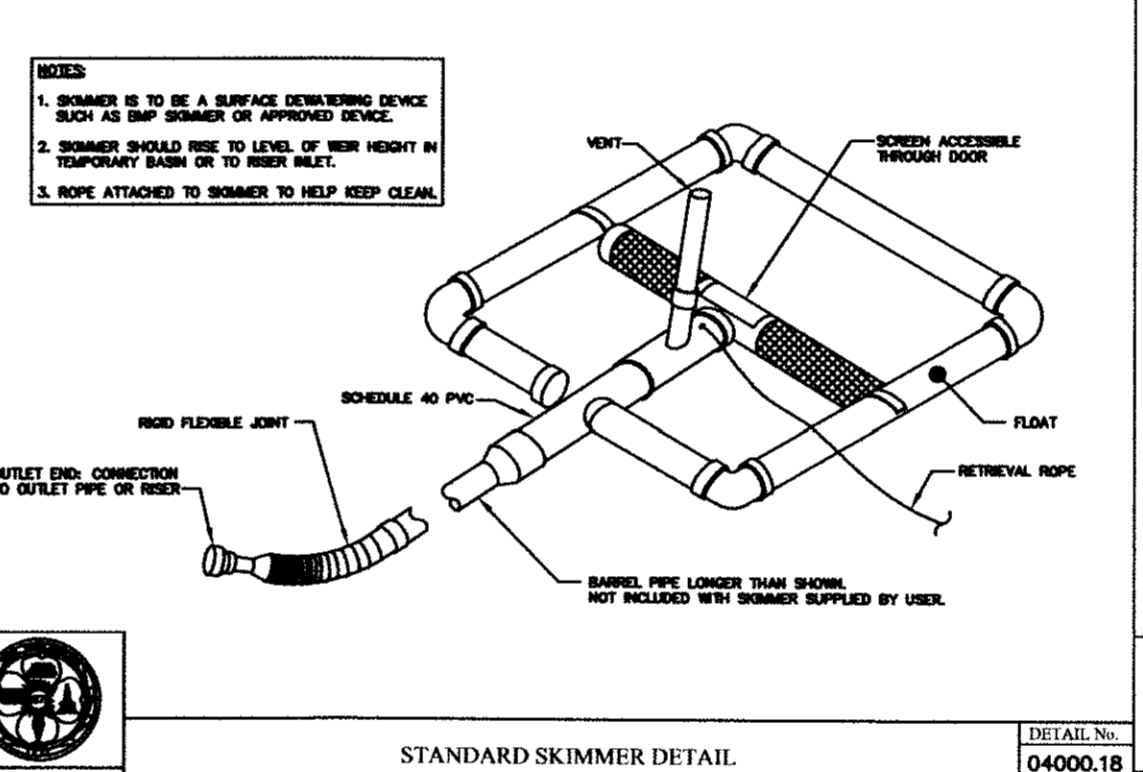
STANDARD RISER-BARREL SEDIMENT BASIN (WITH SKIMMER)
 DETAIL No. 04000.02
 SHEET 1 OF 1
 EFFECTIVE: 12/10/09



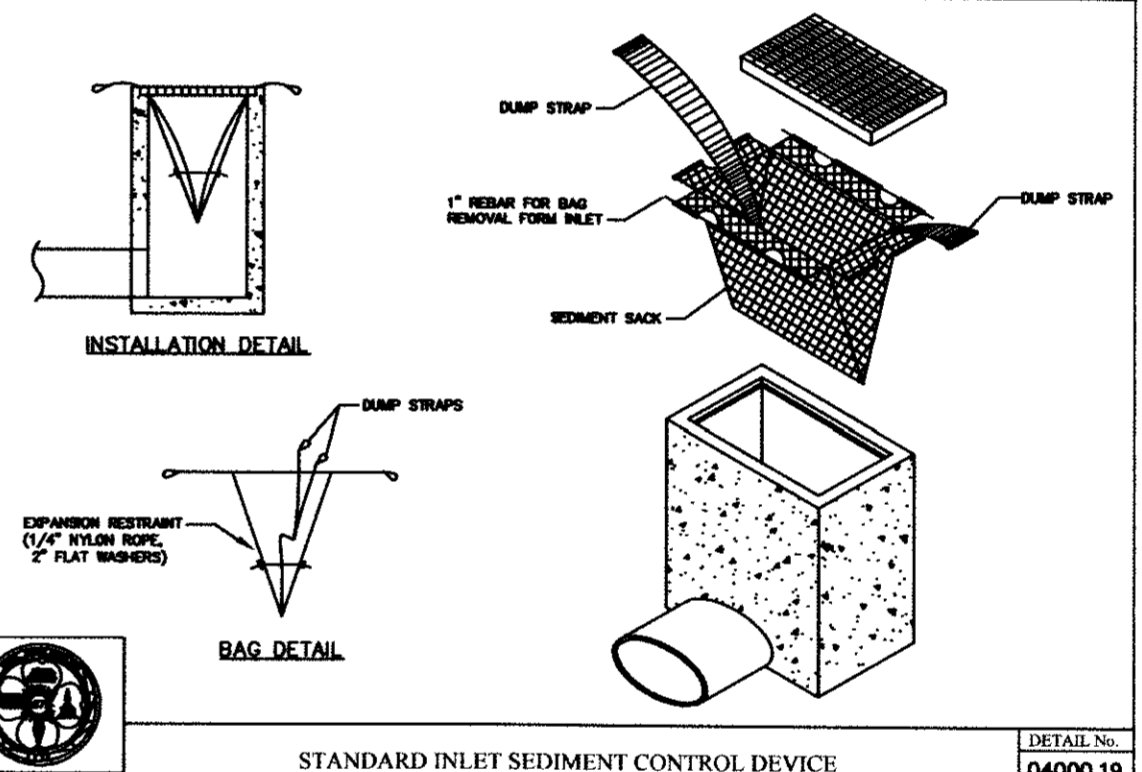
STANDARD TEMPORARY SILT FENCE
 DETAIL No. 04000.01
 SHEET 1 OF 1
 EFFECTIVE: 12/10/09



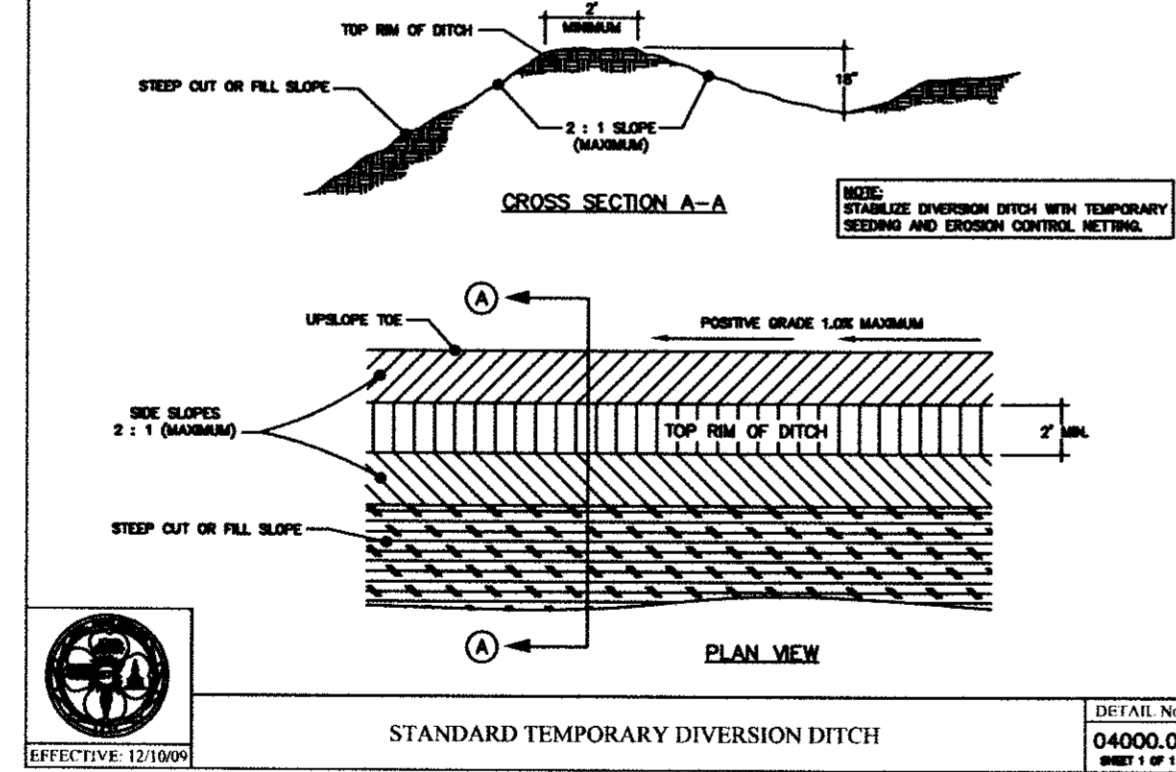
STANDARD CHECK DAM
 DETAIL No. 04000.06
 SHEET 1 OF 1
 EFFECTIVE: 12/10/09



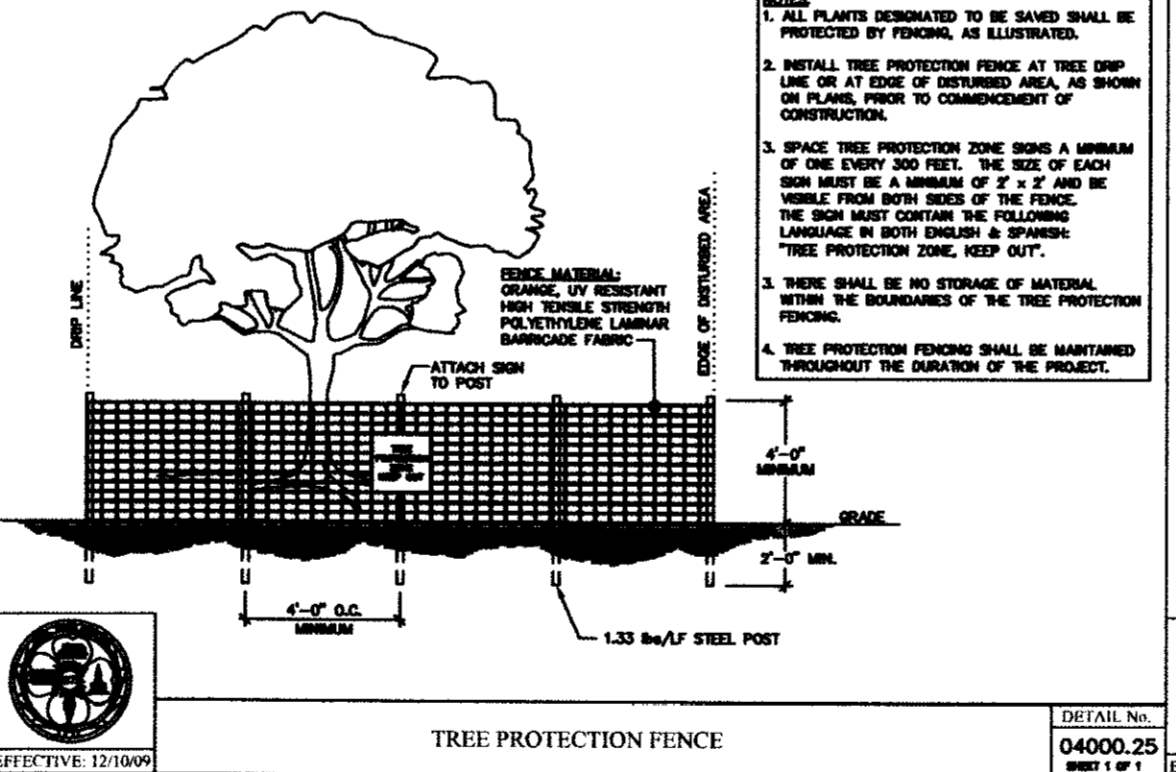
STANDARD SKIMMER DETAIL
 DETAIL No. 04000.18
 SHEET 1 OF 1
 EFFECTIVE: 12/10/09



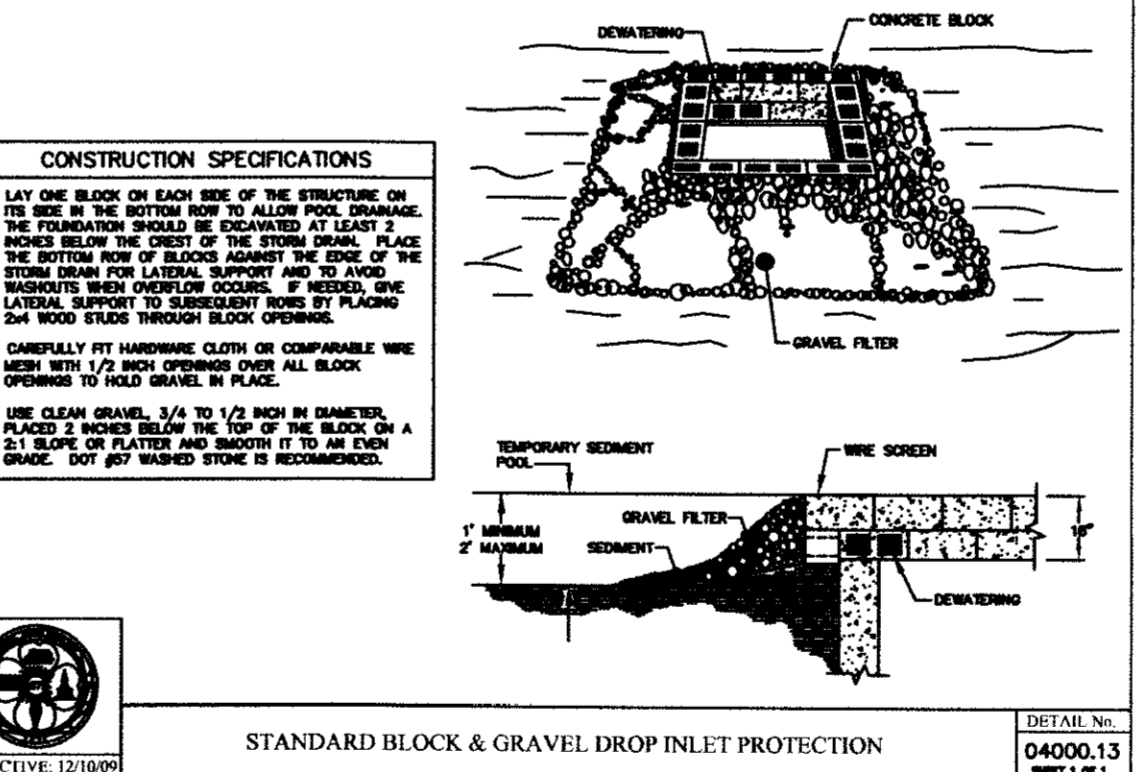
STANDARD INLET SEDIMENT CONTROL DEVICE
 DETAIL No. 04000.19
 SHEET 1 OF 1
 EFFECTIVE: 12/10/09



STANDARD TEMPORARY DIVERSION DITCH
 DETAIL No. 04000.09
 SHEET 1 OF 1
 EFFECTIVE: 12/10/09



TREE PROTECTION FENCE
 DETAIL No. 04000.25
 SHEET 1 OF 1
 EFFECTIVE: 12/10/09



STANDARD BLOCK & GRAVEL DROP INLET PROTECTION
 DETAIL No. 04000.13
 SHEET 1 OF 1
 EFFECTIVE: 12/10/09

1 REPLACED SHEET 8-31-11
 NO. REVISION DATE

SEAL

STEWART
 200 S. COLLEGE ST.
 SUITE 220
 CHARLOTTE, NC 28202
 P. 704.334.7925
 F. 704.334.7926
 www.stewart-eng.com

PERKINS EASTMAN ARCHITECTS PC
 600 W. SIXTH STREET
 CHARLOTTE, NORTH CAROLINA
 28202
 704.940.0561
 FAX 704.352.4800

Owner:
 UNC HOSPITALS
 101 MANNING DR SUITE 6012
 CHAPEL HILL, NC 27514

CM/ Sdr:
 STEWART ENGINEERING
 200 S. COLLEGE ST SUITE 220
 CHARLOTTE, NC 28202 704.334.7925

Landscape:
 STEWART ENGINEERING
 200 S. COLLEGE ST SUITE 220
 CHARLOTTE, NC 28202 704.334.7925

Structural:
 STEWART ENGINEERING
 200 S. COLLEGE ST SUITE 220
 CHARLOTTE, NC 28202 704.334.7925

Mechanical, Plumbing & Fire Protection
 RDK ENGINEERS
 5310 SOUTH ALSTON AVENUE SUITE 230
 DURHAM, NC 27713 919.485.1448

Electrical:
 RDK ENGINEERS
 5310 SOUTH ALSTON AVENUE SUITE 230
 DURHAM, NC 27713 919.485.1448

Pool Consultant:
 COUSLMAN-HUNZAKER
 10703 SUNSET OFFICE DR SUITE 400
 ST. LOUIS, MO 63128 314.864.1246

BID SET

PROJECT TITLE:
 UNC
 WELLNESS CENTERS
 AMBERLY
 AMBERLY WELLNESS
 CENTER

CARY, NORTH CAROLINA
 PROJECT No: 24911.00

DRAWING TITLE:
 EROSION CONTROL
 DETAILS

SCALE: NTS STEWART-X11017.00

C4.2

DATE: MAY 31, 2011

REPLACED SHEET TO MEET TOWN OF CARY
 EROSION AND SEDIMENT CONTROL REGULATIONS

APPROVED BY: [Signature]
 DATE: 10/14/2011