

SEAL

STANDARD  
SUBMERSIBLE PUMP  
STATION  
AMBIANCE PLACE

DATE  
MAY 1985

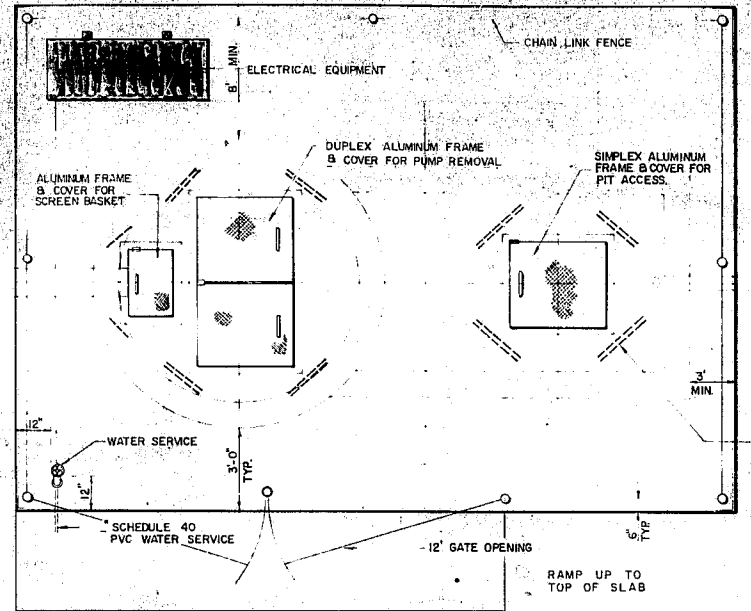
SCALE  
AS SHOWN

SHEET  
OF 57

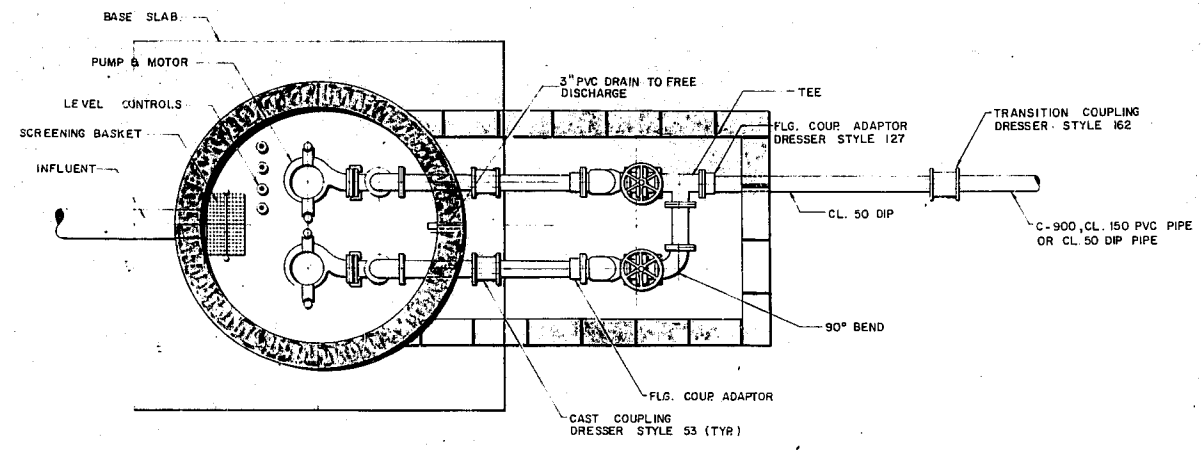
DRAWN BY  
R. BENFIELD

REVISIONS  
2-2-85 YARD LIGHT  
1000 W. TO 600 W.  
FENCE HEIGHT 7' 6"  
2" DIA. PUMP  
2" DIA. PUMP  
2" DIA. PUMP

STANDARD No.  
7.12

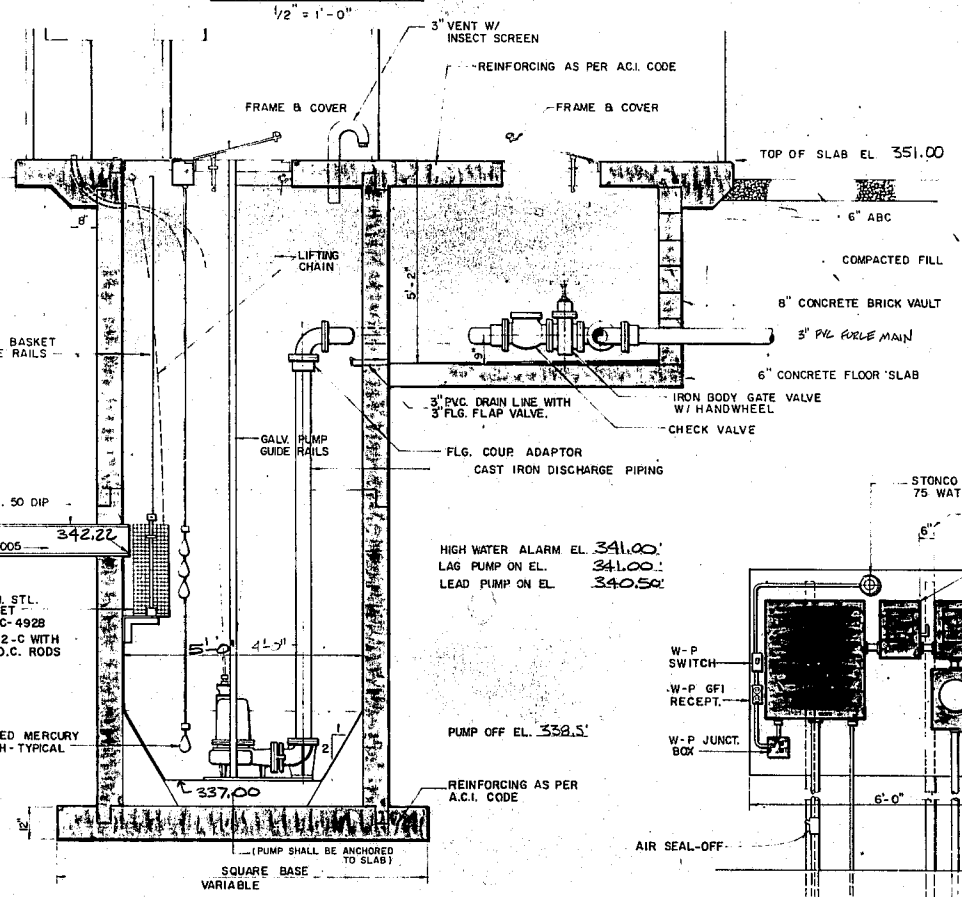


TOP PLAN  
1/2" = 1'-0"

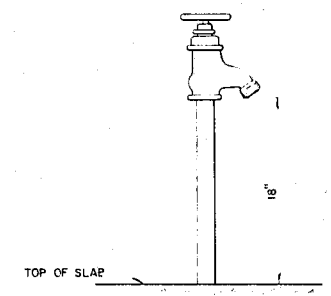


PIPING PLAN  
1/2" = 1'-0"

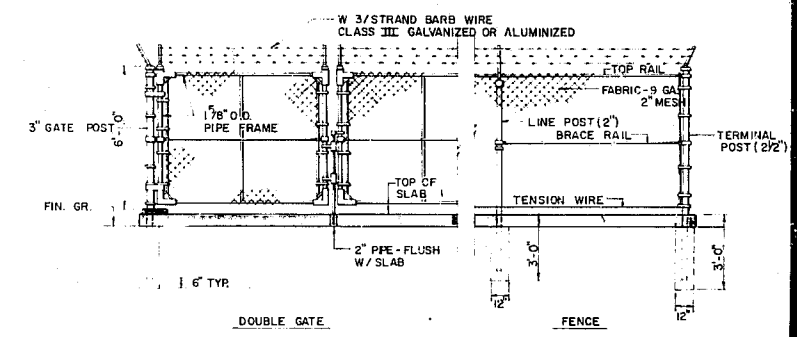
NOTE: ENTRY MANHOLE ONLY REQUIRED SO AS TO PROVIDE ONE INFLUENT TO WETWELL.



SECTION THRU WET WELL & VALVE PIT  
1/2" = 1'-0"

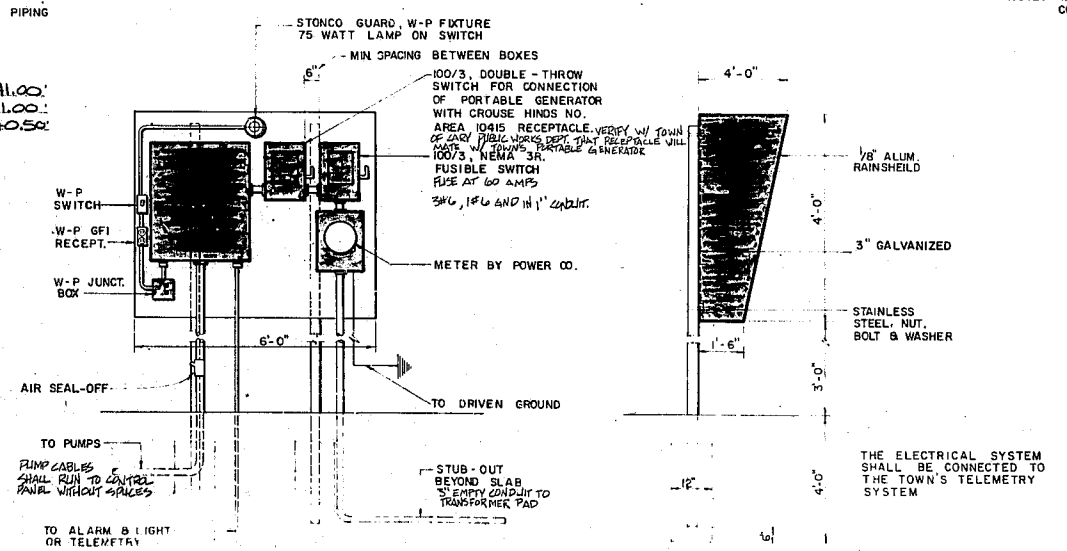


WATER SERVICE  
NO SCALE  
NON-FREEZE HYDRANT WITH BACK-FLOW PREVENTER.

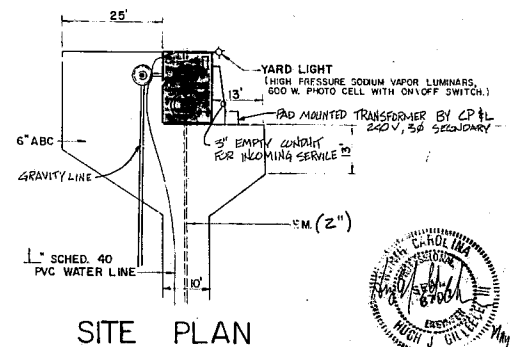


CHAIN LINK FENCE  
NO SCALE

NOTE: WHERE FORCE MAIN DISCHARGES INTO MANHOLE; MANHOLE SHALL BE COATED WITH BITUMASTIC MATERIAL INSIDE.



ELECTRICAL SERVICE  
1" = 20"



SITE PLAN  
1" = 20"

OPERATING CONDITIONS  
10 GPM 26 TDH

PUMP & MOTOR  
HYDROMATIC SPG L-150, 3450 RPM, 1 1/2 HP, 230V, 3Ø, OR APPROVED EQUAL PUMPS SHALL BE GRINDER TYPE. CONTROL PANEL SHALL BE FURNISHED WITH 200V DRY-TYPE TRANSFORMER WITH 120V, 1Ø SECONDARY CONTROL CIRCUIT SHALL BE 120V, 1Ø CONTROL CIRCUIT AND RECEPTACLE CIRCUITS SHALL BE PROTECTED W/ 20A BREAKERS.

CONTRACTOR SHALL SUBMIT SHOP DRAWINGS TO ENGINEER FOR APPROVAL PRIOR TO CONSTRUCTION. GRINDER PUMP SPECIFIED MAY HAVE DIFFERENT REMOVAL SYSTEM THAN THAT INDICATED. CONTRACTOR SHALL FURNISH DETAILS OF SYSTEM PROPOSED TO BE INSTALLED.

(ALL WORK SHALL BE IN COMPLIANCE WITH LOCAL, STATE & NATIONAL ELECTRICAL CODES)

