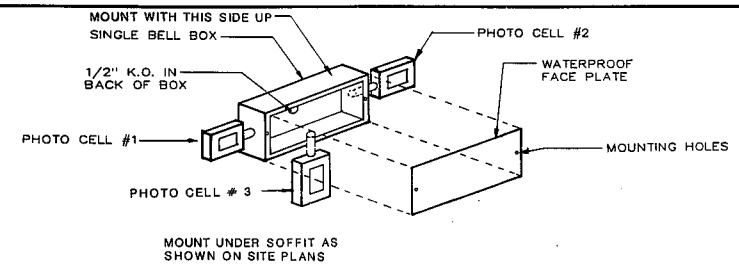
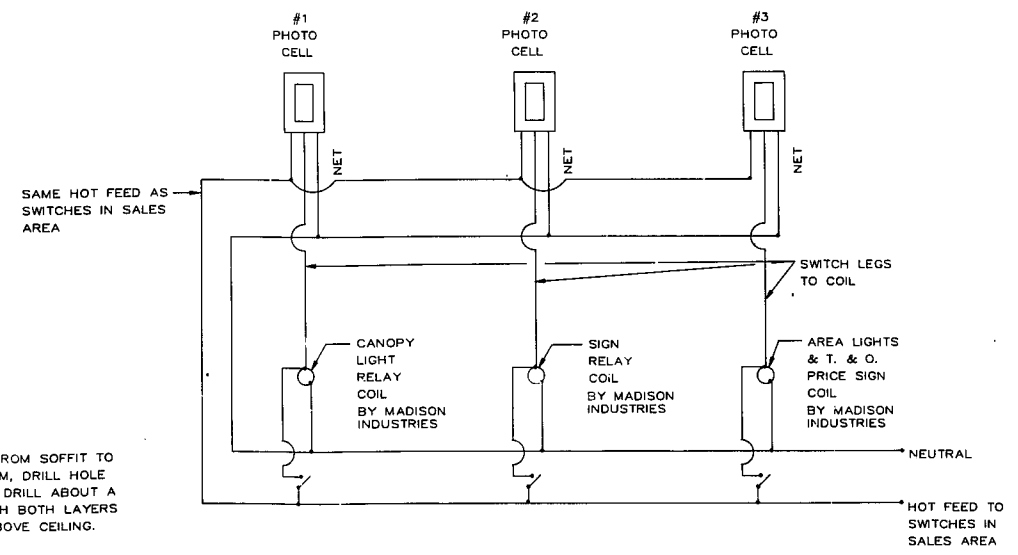


**1 MODE SIGN INSTALLATION DETAIL**  
 (SCALE: 1/4"=1'-0")

NOTE: WAYNE-DECADE 390 MGD ELECTRONIC DISPENSER USED FOR ILLUSTRATION. CONSULT SCOPE OF WORK AND AMOCO ENGINEER FOR ACTUAL DISPENSER TO BE INSTALLED.



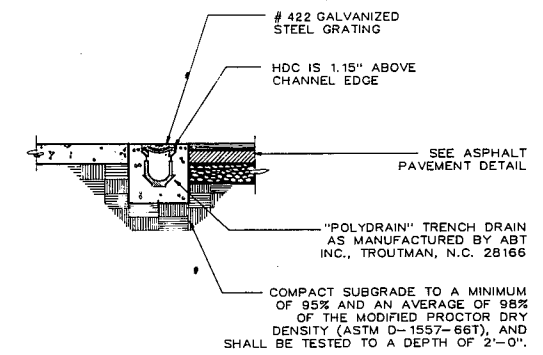
**BELL BOX DETAIL**  
 (NOT TO SCALE)



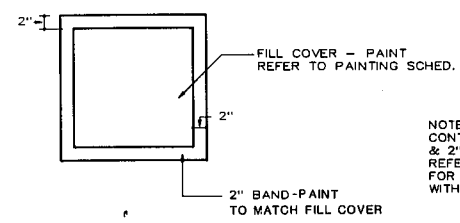
**2 PHOTOCCELL DETAIL**  
 (NOT TO SCALE)

NOTE: TO FISH GREENFIELD FROM SOFFIT TO TROUGH IN BACK ROOM, DRILL HOLE UNDER SOFFIT, INSIDE DRILL ABOUT A 2" HOLE SAW THROUGH BOTH LAYERS OF WALL PANELING ABOVE CEILING.

PAINTING SCHEDULE	
PAINT	
FURNISHED BY	COLOR
AMOCO	IMRON BLACK, GRAY, WHITE
GENERAL CONTRACTOR	GOLD, SILVER, BLUE (INCLUDING FILLER & PRIMER)
ITEM	COLOR
MANHOLE COVERS	BLACK
STEEL CURB FORMS	
DUMPSTER GATES	
OUTSIDE STEEL DOORS & FRAMES	
PIPE BOLLARDS	
CANOPY COLUMNS	GRAY
AREA LIGHT FIXTURES & POLES	
VENT RISERS	
DUMPSTER WALLS	
AIR/WATER STAND	
FILL COVERS	GOLD SILVER BLUE
ULTIMATE UNLEADED	
SILVER UNLEADED	
REGULAR UNLEADED	



**3 POLYDRAIN DETAIL**  
 (NOT TO SCALE)



**4 FILL COVER PAINTING DETAIL**  
 (NOT TO SCALE)

NOTE: CONTRACTOR SHALL PAINT FILL COVER & 2" BAND AROUND FILL COVERS. REFER TO PAINTING SCHEDULE FOR COORDINATION OF COLORS WITH PRODUCT.

Date	No.	Revisions	By

**AMOCO**

## SITE DETAILS

Scale: \_\_\_\_\_ District: \_\_\_\_\_

Drawn By: \_\_\_\_\_

Checked By: \_\_\_\_\_ Date: \_\_\_\_\_

Approved: \_\_\_\_\_

No. **SD-3**

Do not scale, use dimensions only