

CODE A WASH II

INSTALLATION SCHEDULE

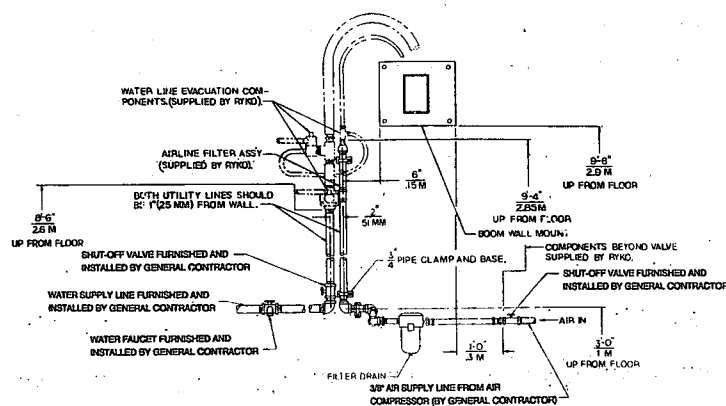
The following tasks must be completed before installation of the Code-A-Wash II:

ELECTRICAL:

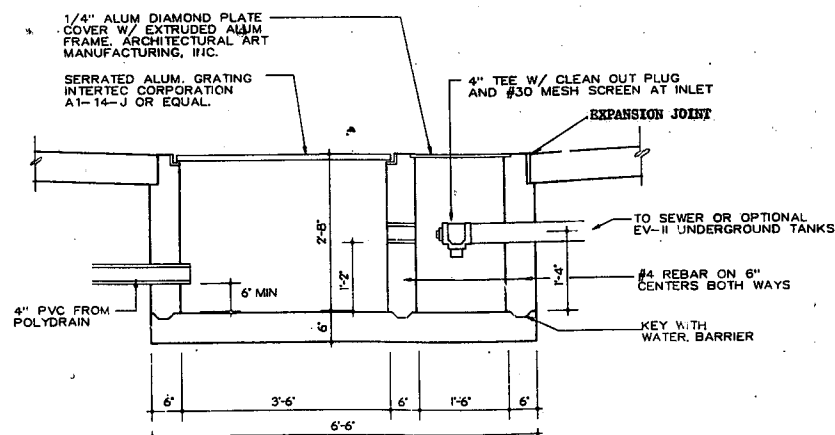
Ryko supplies all necessary components for the operation tasks of the Code-A-Wash II consisting of a control console, a wash equipment interface, and a coin box interface. General Contractor shall furnish all conduit and wires for each conduit run. The Contractor will also supply the 6 pair twisted shielded cable recommended by Ryko. This cable will be put in a 3/4" conduit run dedicated solely to this particular 6 pair twisted cable that runs from the wash bay terminal box to within 10 feet of the console placement in the office or kiosk. General Contractor shall also supply a dedicated 110 volt circuit with ground to within 8 feet of the console location in the office or kiosk. All electrical connections will be made for the Code-A-Wash II by Ryko service personnel.

MECHANICAL:

Ryko service personnel will install all the necessary electrical components in the rollover coin box, and place the console in the office or kiosk. Ryko service personnel will make all wire connections and test thoroughly the Code-A-Wash II system.



1 AIR/WATER INSTALLATION DETAIL
(NOT TO SCALE)



2 SAND TRAP DETAIL
(SCALE: 3/4"=1'-0")

R7B REQUIREMENTS SCHEDULE

EQUIPMENT

	SUPPLIED BY RYKO	SUPPLIED BY CONTRACTOR
ELECTRICAL:	CONNECTION TO CUSTOMER-PROVIDED ELECTRIC SERVICE JUNCTION BOXES MOUNT SIGNS	CONDUIT WIRES FOR CONDUIT PULL WIRES MOUNT COMPONENTS

WATER:	CONNECTION TO CUSTOMER-PROVIDED WATER SERVICE POSITION BOOST PUMP AND HOLDING TANK	WATER LINES
---------------	---	-------------

AIR:	AIR LINE FILTER ASSEMBLY	AIR LINES
-------------	--------------------------	-----------

MECHANICAL: MACHINE INSTALLATION IN BAY
MACHINE START-UP
TEST AND ADJUST MACHINE
TRACK AND RAIL INSTALLATION
INSTALLATION OF BAY PLATE
COIN BOX INSTALLATION
INSTALLATION OF BOOM ASSEMBLY

UTILITY REQUIREMENTS

GENERAL CONTRACTOR SHALL BE RESPONSIBLE FOR PROVIDING UTILITIES AS LISTED BELOW. (LIST IS FOR MINIMUM REQUIREMENTS.)

ELECTRIC:

Three phase 200V/230V AC, 60 HZ, 100 AMP.

The electrical requirements include the following conduit runs.

1/2 inch conduit:

- Six #14 AWG wires to light
- Three #14 AWG wires to bay switch
- Three #14 AWG wires to air switch, if present
- Three #14 AWG wires to kill switch
- Fourteen #14 AWG wires to coin box

NOTE: ALL CONDUIT RUNS SHOULD BE KEPT SEPARATE. DO NOT COMBINE. RUN AS MUCH CONDUIT AS POSSIBLE WITHIN STORAGE ROOM.

WATER:

Minimum 1 inch service at 40 pounds per square inch with 20 gallon per minute flow rate. Maximum 150 pounds per square inch.

NOTE: Water pressure must be less than air pressure for proper pneumatic valve operation.

AIR:

Minimum 3/8" I.D. line at 100 pounds per square inch at 5 cubic feet per minute flow. Maximum pressure of 150 pounds per square inch at 5 cubic feet per minute flow.

INSTALLATION TASKS

The following tasks must be completed before installation of the Mini-Tunnel:

ELECTRICAL:

Ryko supplies an electrical utility pre-installation kit which consists of a wall-mounted terminal box, all junction boxes and switches for the machine. General Contractor shall furnish all conduit and wiring for each conduit. The Contractor shall mount all components and pull all wires per Ryko installation drawings. These wires should be terminated in the pre-installation kit, and numbered or color coded according to the termination point. This work should be done before the Mini-Tunnel arrives at the site.

WATER:

General Contractor shall run a water line from the on-site source to the location as specified in Ryko installation drawings. If a boost pump and holding tank have been purchased, the Ryko representative will normally position them. The Contractor will run the water line from the source to the boost pump and holding tank and on to the machine as indicated in the Ryko installation drawings. The boost pump and tank are delivered with the machine, therefore, the water line cannot be run until the machine arrives on the site.

AIR:

Ryko supplies a wall-mounted air line filter assembly with the machine. General Contractor shall run a 3/8 inch air line from the air compressor into the bay location, and connect it to the air line filter assembly as specified in Ryko installation drawings.

MECHANICAL:

Ryko service personnel will install the machine in the bay, connect it to the supplied electrical, water and air utilities and then start, test and adjust the unit. Ryko service personnel will also mount the exterior signs, and install the tracks, safety rails, bay plate, coin box and boom assembly.

CAR WASH EQUIPMENT SCHEDULE

FURNISHED BY AMOCO (INSTALLED BY GENERAL CONTRACTOR)

- 1 AIR COMPRESSOR
- 2 CARWASH BAY LIGHT FIXTURES
- 3 EXTERIOR LIGHT FIXTURES IF REQUIRED BY PLANS

FURNISHED AND INSTALLED BY GENERAL CONTRACTOR

- 1 UNIT HEATERS AS SHOWN ON PLAN. UNIT HEATERS SHALL BE MODEL NO. UH45-1 (PROVIDE WITH INTERNAL CONTACTOR) AS MANUFACTURED BY:
CADET MANUFACTURING
2500 W. PLAIN STREET
P.O. BOX 1675
VANCOUVER, WASHINGTON 98668
PHONE: 206-693-2505
- 2 MOTOR OPERATED DAMPER. MOTOR SHALL BE MODEL NO. 4C534, DAMPER SHALL BE MODEL NO. 4C557, BOTH AS MANUFACTURED BY:
DAYTON ELECTRIC MANUF. CO.
5959 W. HOWARD STREET
CHICAGO, ILLINOIS 60648
- 3 200 AMP/3 PHASE CARWASH PANEL. SEE ELECTRICAL PLAN AND PANELBOARD ON SHEET CW-2.
- 4 STORAGE ROOM LIGHTS. REFER TO LIGHT FIXTURE SCHEDULE ON SHEET CW-2 FOR FIXTURE TYPE AND QUANTITY.
- 5 THERMOSTATS: CARWASH BAY THERMOSTAT SHALL BE MODEL NO. 2E848, STORAGE ROOM THERMOSTAT SHALL BE MODEL NO. 2E847, BOTH AS MANUFACTURED BY DAYTON. (SEE MOD. ABOVE.)
- 6 CONDUIT/WIRING FOR ALL ABOVE ITEMS AS WELL AS FOR RYKO CARWASH EQUIPMENT.
- 7 4" PVC SEWER LINE TO MAIN SEWER LINE, SAND TRAP (SEE SECTION 1/CW-3), WATER SUPPLY (SEE SITE PLAN FOR SIZE AND LOCATION), AIR SUPPLY LINE FROM COMPRESSOR TO NECESSARY EQUIPMENT, AND ALL OTHER RELATED ITEMS AS PER PLANS, SCOPE OF WORK, AND RYKO INSTALLATION MANUALS.
- 8 RECLAIM SYSTEM TANKS, PIPING, FOOT VALVES, FILTERS AND ALL OTHER EQUIPMENT ASSOCIATED WITH THE CARWASH RECLAIM SYSTEM. (NOT INCLUDING THE EV-2 ELECTRONIC EQUIPMENT.)

FURNISHED BY RYKO, INSTALLED BY GENERAL CONTRACTOR

- 1 REFER TO RYKO EQUIPMENT INSTALLATION SCHEDULE ON SHEET CW-3 FOR THIS INFORMATION.

Date	No.	Revisions	By
CAR WASH INSTALLATION DETAILS			
Scale	District		
Drawn By			
Checked By			
Approved	Date		
	No.	CW-3	
Do not scale, use dimensions only			