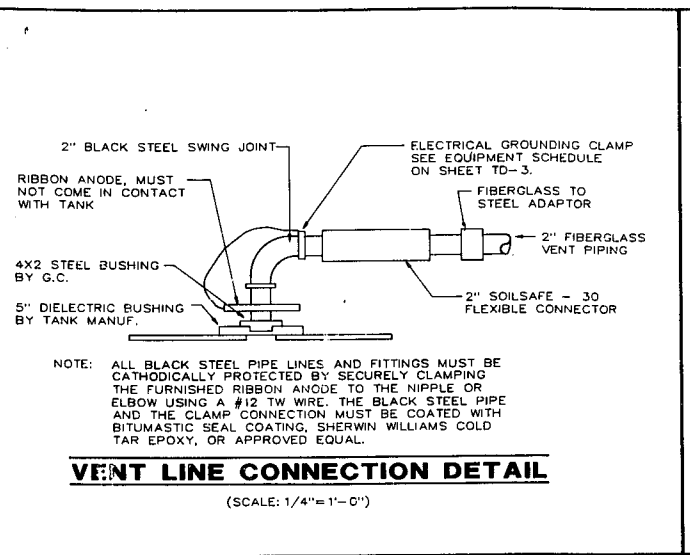
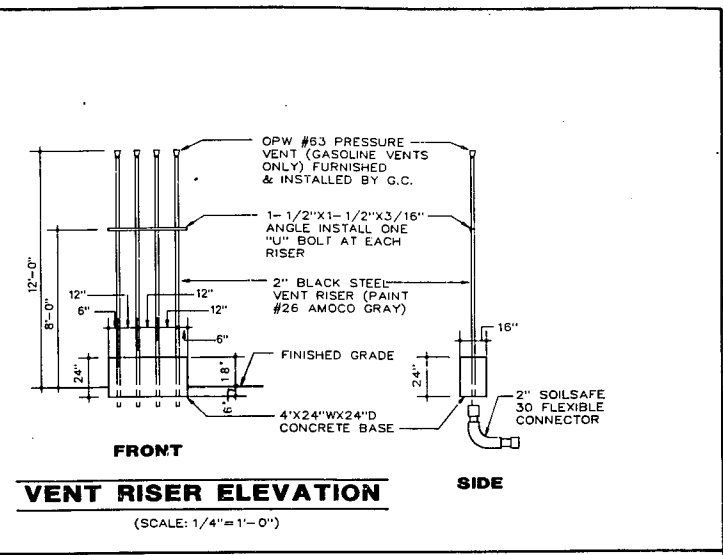


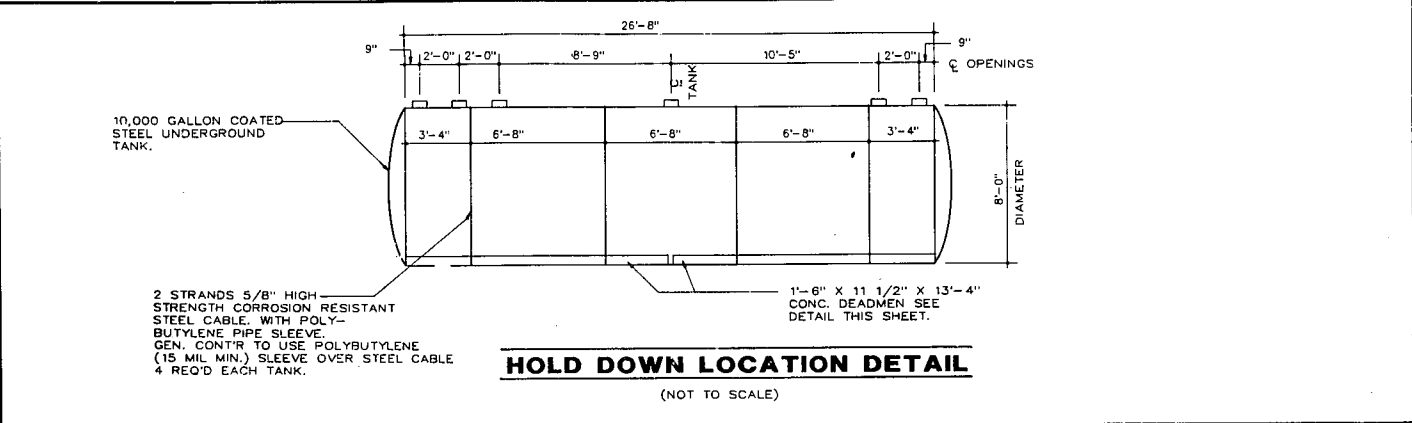
TYPICAL TANK ARRANGEMENT
(SCALE: 1/4"=1'-0")



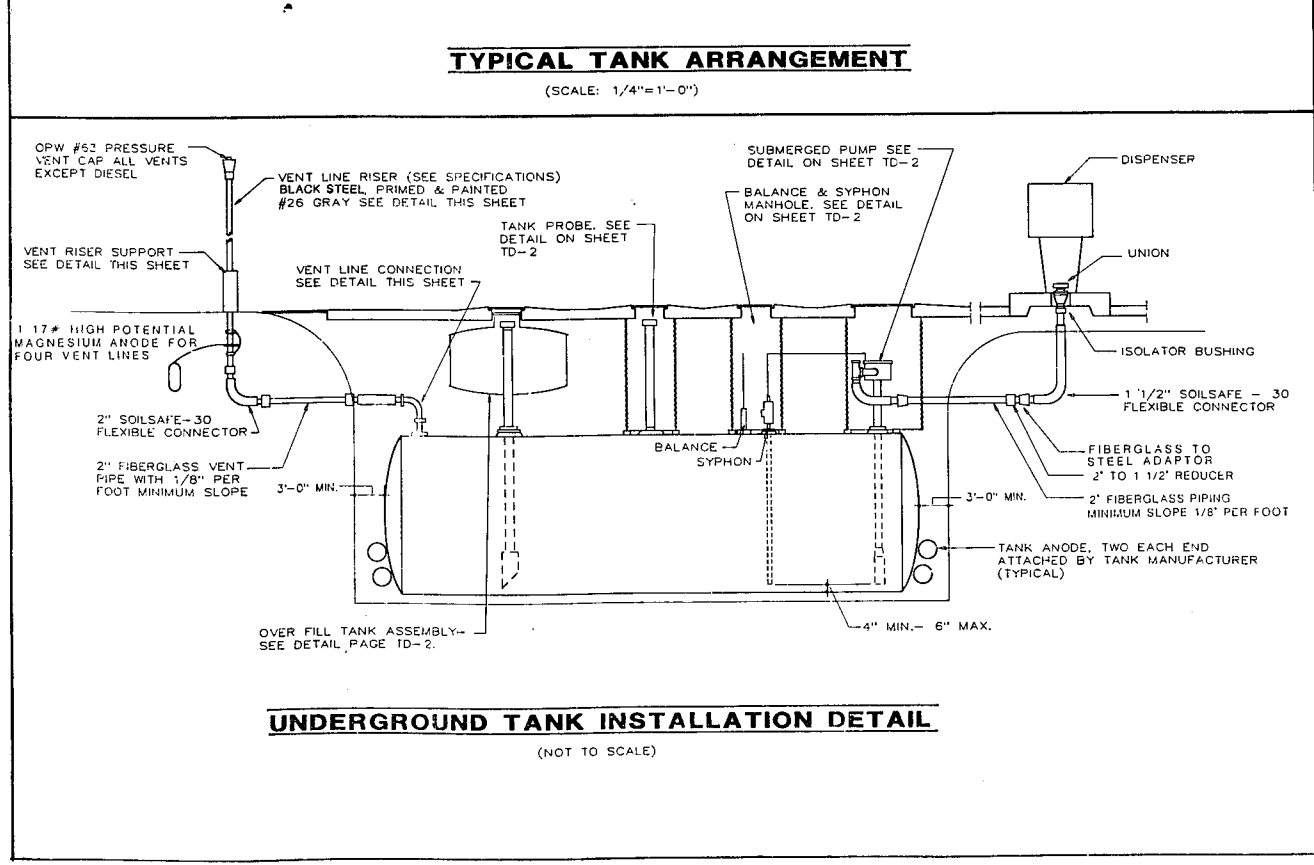
VENT LINE CONNECTION DETAIL
(SCALE: 1/4"=1'-0")



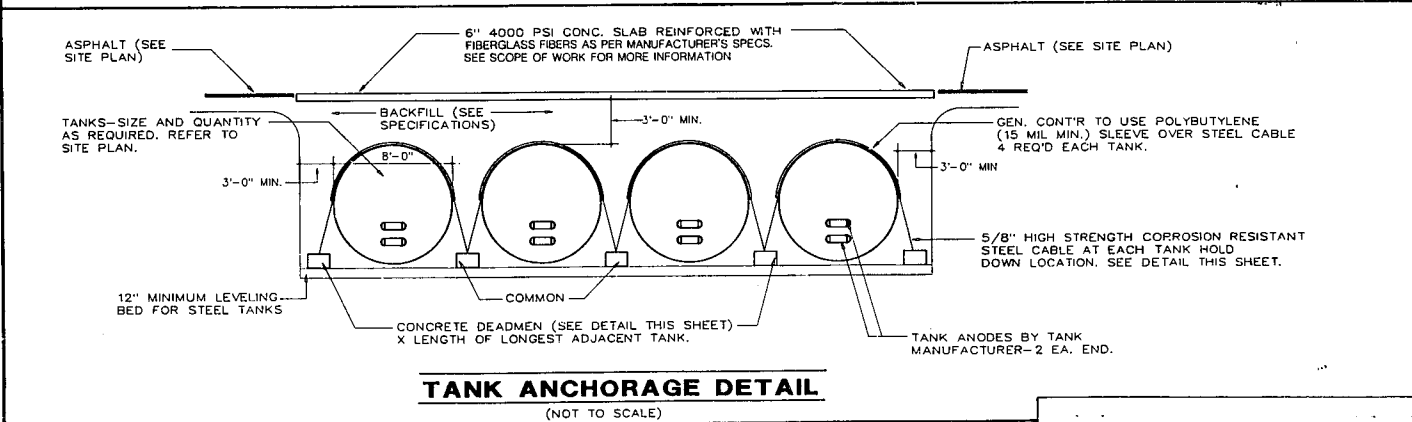
VENT RISER ELEVATION
(SCALE: 1/4"=1'-0")



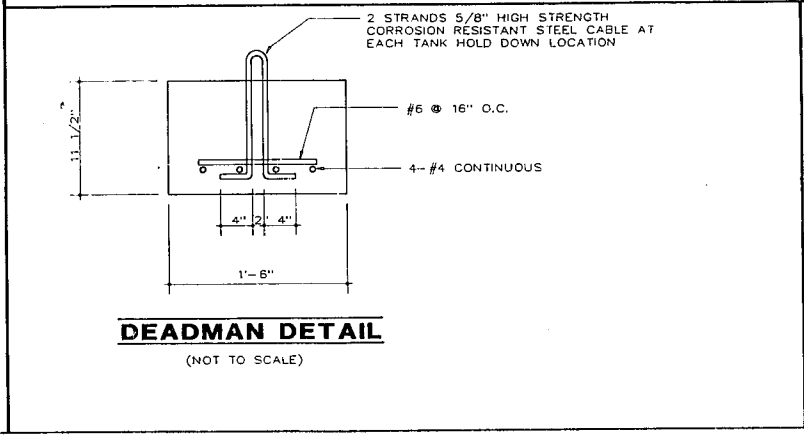
HOLD DOWN LOCATION DETAIL
(NOT TO SCALE)



UNDERGROUND TANK INSTALLATION DETAIL
(NOT TO SCALE)



TANK ANCHORAGE DETAIL
(NOT TO SCALE)



DEADMAN DETAIL
(NOT TO SCALE)

UNDERGROUND TANK INSTALLATION DETAILS

AMOCO

Dist. No. **TD-1**

Do not scale use dimensions only