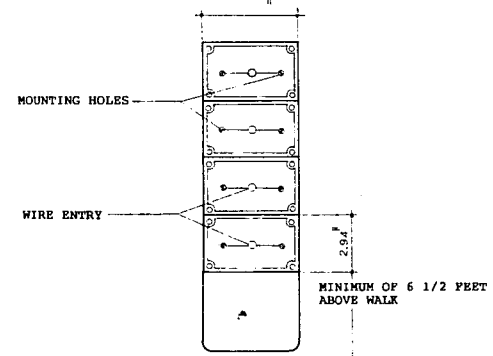


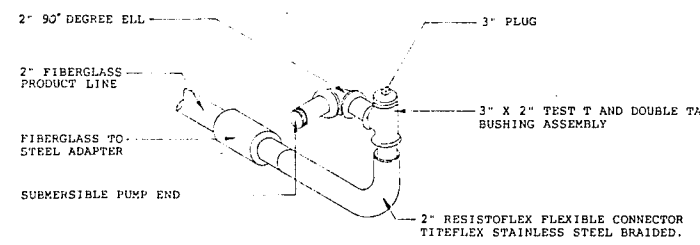
WIRING DIAGRAM



MOUNTING DIAGRAM

- NOTES:**
- REMOVE BACKING FROM TAPE ON BACK OF ALC-20-1 PRINTED CIRCUIT BOARD ASSEMBLY AND MOUNT TO THE BACK OF THE EMPTY PRINTER COMPARTMENT IN THE TLS-250, AS SHOWN IN FIG. 1. MAKE SURE THE TWO 10" BLACK WIRES, LABELLED 120 VAC, WILL BE ABLE TO READ TERMINALS 4 AND 7 ON THE TLS-250.
 - CONNECT THE TWO 10" BLACK WIRES, LABELLED 120 VAC, TO LOWER TERMINAL NUMBERS 4 AND 7, AS SHOWN IN FIG. 11. NOW CONNECT A JUMPER WIRE FROM TERMINAL 3 TO 8.
 - MOUNT THE ALARM BOX ON THE OUTSIDE OF THE BUILDING FACING THE TANK FILL AREA, AS SHOWN IN FIG. 11. USING THE THREE HOLES IN THE "TANK OVERFILL ALARM" SIGN AS A TEMPLATE, LOCATE A MORTAR JOINT SO THAT THE ALARM BOX IS POSITIONED A MINIMUM OF 6 AND 1/2 FEET ABOVE THE CATWALK. THE TWO OUTSIDE HOLES ARE FOR MOUNTING, WHILE THE CENTER HOLE IS FOR WIRE ENTRY. POSITION THE ALARM BOX HORIZONTALLY ACROSS THE TOP OF THE "TANK OVERFILL ALARM" SIGN, LINING UP THE TOP TWO CORNERS OF THE ALARM BOX WITH THE TOP TWO CORNERS OF THE SIGN. MOUNT BOTH TO THE BUILDING.
USING NO. 22 WIRE OR LARGER (SUCH AS 4 CONDUCTOR TELEPHONE CABLE) CONNECT THE RED, GREEN AND BLACK COLOR CODED WIRES FROM THE ALC-20-1 TO THE RED, GREEN AND BLACK COLOR CODED WIRES ON THE INSIDE OF THE ALARM BOX (REFER TO FIG. 11). RED TO RED, GREEN TO GREEN AND BLACK TO BLACK.
AS REQUIRED BY THE NATIONAL ELECTRIC CODE A SMALL HOLE SHOULD BE DRILLED IN THE BOTTOM OF THE ALARM BOX AFTER INSTALLATION. AS A FINAL STEP, PLACE A BEAD OF GREY CAULK ALONG THE TOP AND SIDES OF THE ALARM BOX.
 - TO TEST THE UNIT, CONNECT A JUMPER ACROSS TERMINALS 3 AND 4 ON THE TLS-250. THE ALARM WILL SOUND FOR APPROXIMATELY 30 SECONDS AND SHUT OFF. THE LIGHT WILL CONTINUE TO FLASH AS LONG AS THE JUMPER IS IN PLACE. THE UNIT WILL RESET AND BE READY FOR THE NEXT ALARM CONDITION AS SOON AS THE JUMPER IS REMOVED. DO NOT FORGET TO REMOVE THE JUMPER FROM TERMINALS 3 AND 4 WHEN TESTING IS COMPLETE.

HIGH LEVEL ALARM SYSTEM DETAIL
(NOT TO SCALE)



SWING JOINT AT SUBMERSIBLE PUMP
(NOT TO SCALE)

APPROVED FITTING SCHEDULE

DESCRIPTION	MANUFACTURER'S MODEL NO.			
	O.P.W	EMCO WHEATON	A.Y. McDONALD	MORRISON
DOUBLE POPPET ANGLE CHECK VALVE	32H	464	930	339
REMOTE DISPENSER SAFETY SHUT-OFF VALVE	10RP	25P		
FILL BOX MANHOLE	FURNISHED BY AMOCO			
VENT CAP COAXIAL VAPOR RECOVERY 46	523	A-84		
VENT CAP	63	631	908	155
FILL CAP - WASTE OIL AND DISTILLATE (IF REQUIRED)	83	632	905	178
FILL - COAXIAL DROP TUBE ASSEMBLY	#6IT	A-70		
FIBERGLASS PIPING	1. 2" A.O. SMITH RED THREAD II 2. AMERCON DUALOY 3000L			
FLEXIBLE CONNECTOR	TITREPLEX SOILSAFE - 30 (CATHODICALLY PROTECTED) RESISTOFLEX/TITREPLEX STAINLESS BRAIDED (UNPROTECTED)			
UNIONS - 250 PSI RATED WITH STEEL CLAMP				

EQUIPMENT SCHEDULE

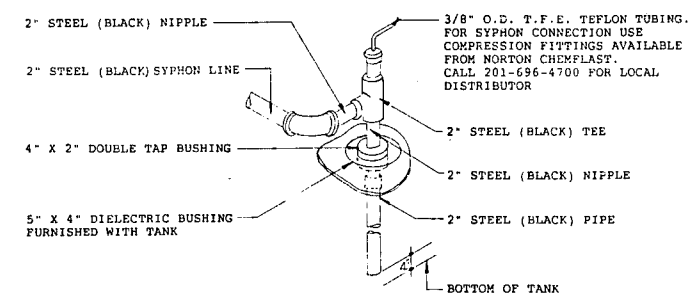
THE FOLLOWING EQUIPMENT AND MATERIALS SHALL BE FURNISHED (F) AND INSTALLED (I) AS INDICATED

ITEM/DESCRIPTION	AMOCO	CONTRACTOR
U/G FUELING SYSTEM TANKS	F	I
U/G WASTE OIL TANK (IF REQUIRED SEE SITE PLAN)	F	I
PIPING ANODE - FOR SIPHON AND BALANCE LINE	-	F/I
ALL NORMAL PIPING, FITTINGS, CHECK, SAFETY VALVES AND FLEX CONNECTORS	-	F/I
ISLAND PUMPS OR DISPENSERS	F	I
DISPENSER PUMP BOXES	-	F/I
SUBMERGED PUMP ASSEMBLY *	F	I
MONITORING WELL MANHOLE	-	F/I
CO-AX DROP TUBES (EMCO WHEATON TYPE)	-	F/I
OVERFILL RECEPTACLE	F	I

- * SEE SCOPE FOR MANUFACTURER OF DISPENSERS
- ** LEAK DETECTOR TO BE SUPPLIED WITH PUMPING UNIT

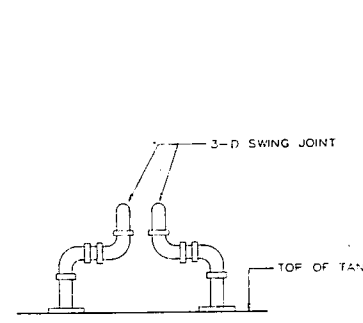
ELECTRICAL GROUNDING CLAMP
MANUFACTURED BY ALLEN & STEVENS OR BUNDY
AVAILABLE THROUGH: GATE CITY OIL EQUIPMENT COMPANY
1500 MARIETTA ST. N.W.
ATLANTA, GA 30318
(404) 794-8275

PVC MANHOLE PIPE (PERMA-LOC)
MANUFACTURED BY: J-M MANUFACTURING COMPANY
P.O. BOX 185
GREEN COVE SPRINGS, FLORIDA 32043
(904) 284-3091

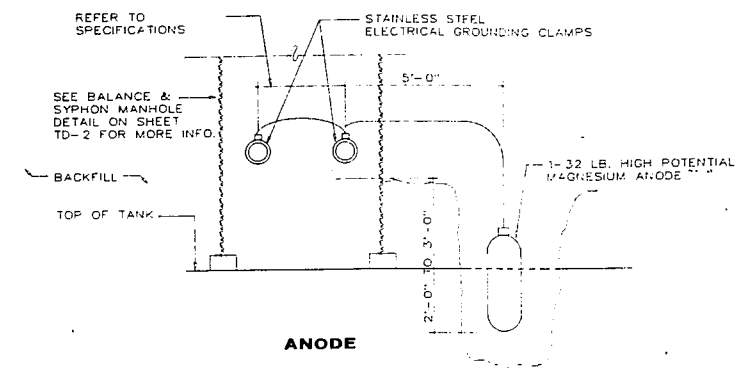


SYPHON CONNECTION
(NOT TO SCALE)

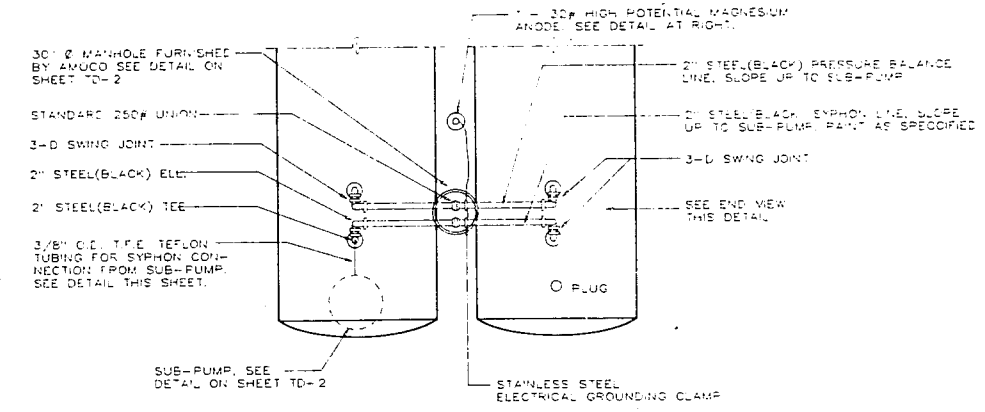
NOTE: ALL FITTINGS OUTSIDE OF TANK SHALL BE BLACK STEEL, COATED WITH BITUMASTIC SEAL COATING, SHERWIN WILLIAMS COLD TAR EPOXY OR EQUAL AFTER CATHODIC PROTECTION IS CONNECTED AND TESTED AS DESCRIBED IN THE SIPHON LINE AND BALANCE LINE DETAIL.



END VIEW



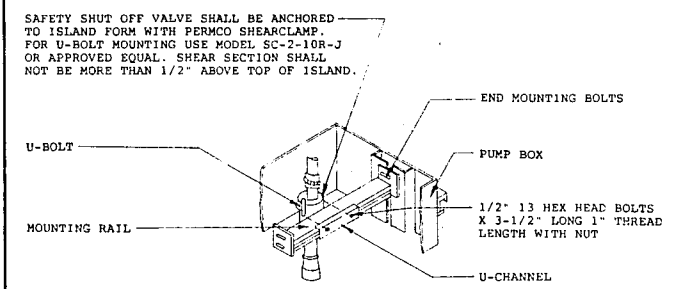
ANODE



PLAN VIEW

SYPHON AND PRESSURE BALANCE LINE DETAIL

(NOT TO SCALE)



"SHEARCLAMP" AT PUMP BOX
(NOT TO SCALE)

Date	No.	Revisions	By
UNDERGROUND TANK INSTALLATION DETAILS			
Scale	District		
Drawn By	Date		
Checked By	No. TD-3		
Approved	Do not scale, use dimensions only		