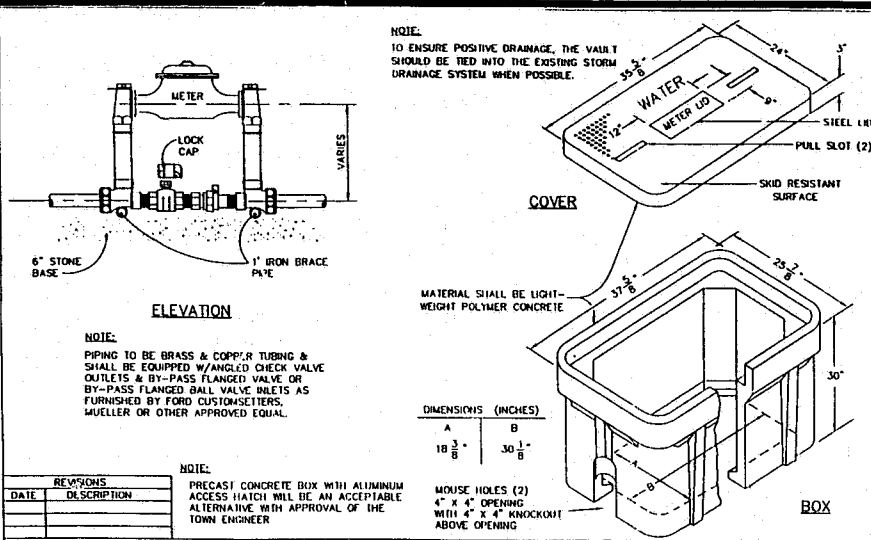
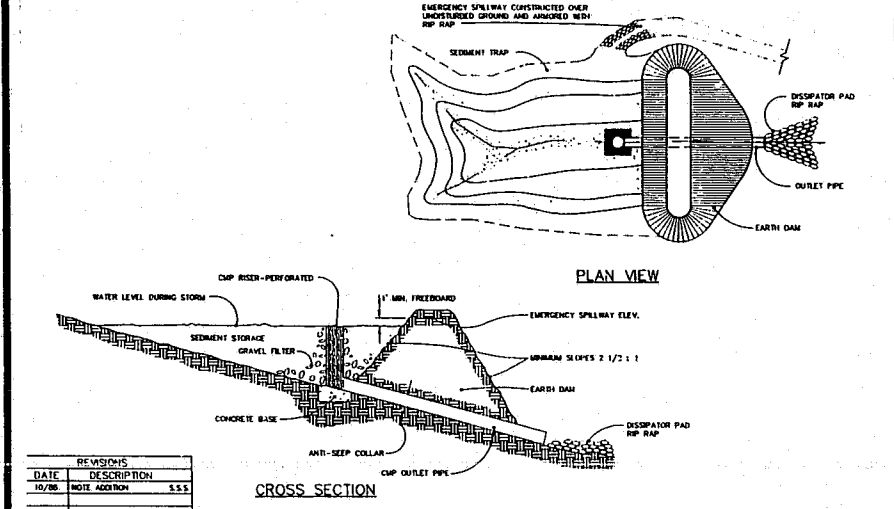


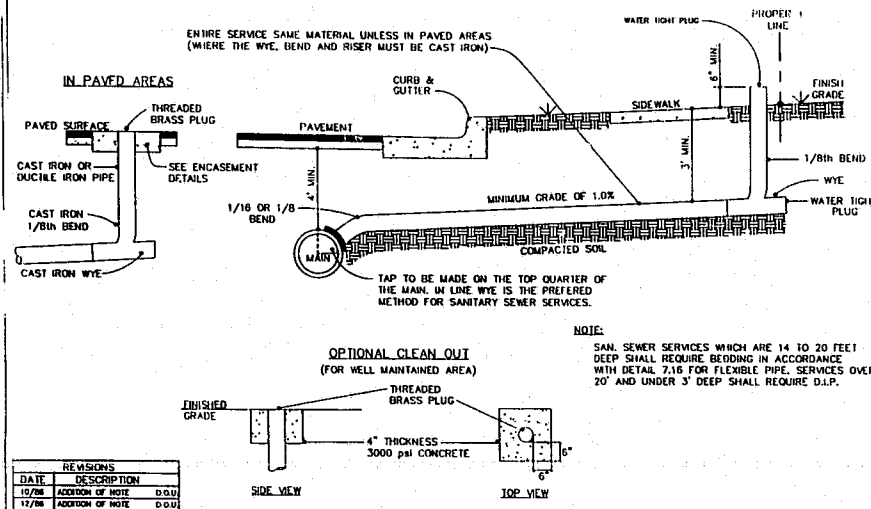
STANDARD TEMPORARY SILT FENCE
SID. No. 4.01



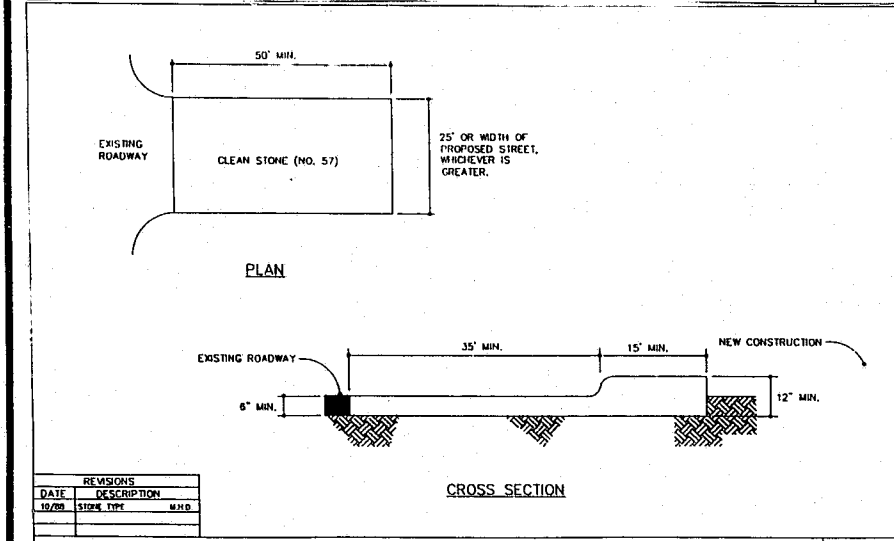
STANDARD 1-1/2" & 2" METER INSTALLATION AND VAULT
SID. No. 6.02



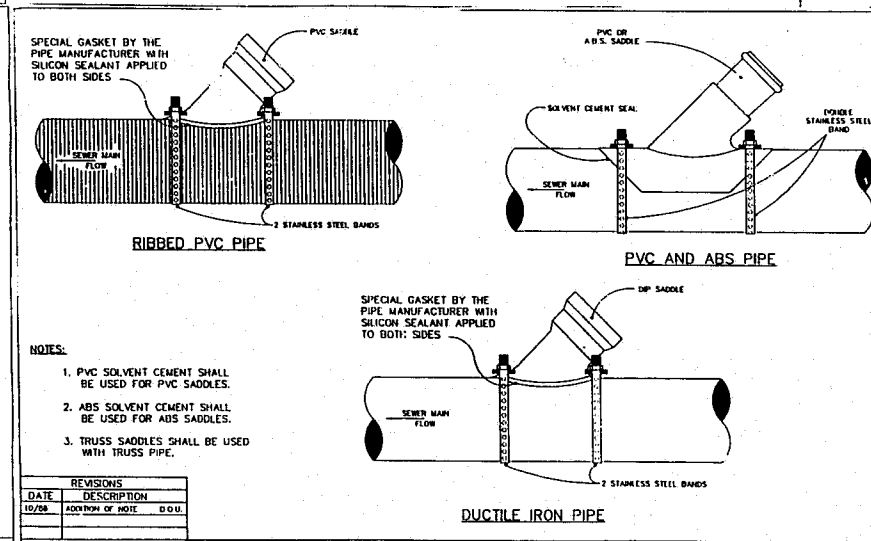
STANDARD RISER-BARREL SEDIMENT BASIN
SID. No. 4.02



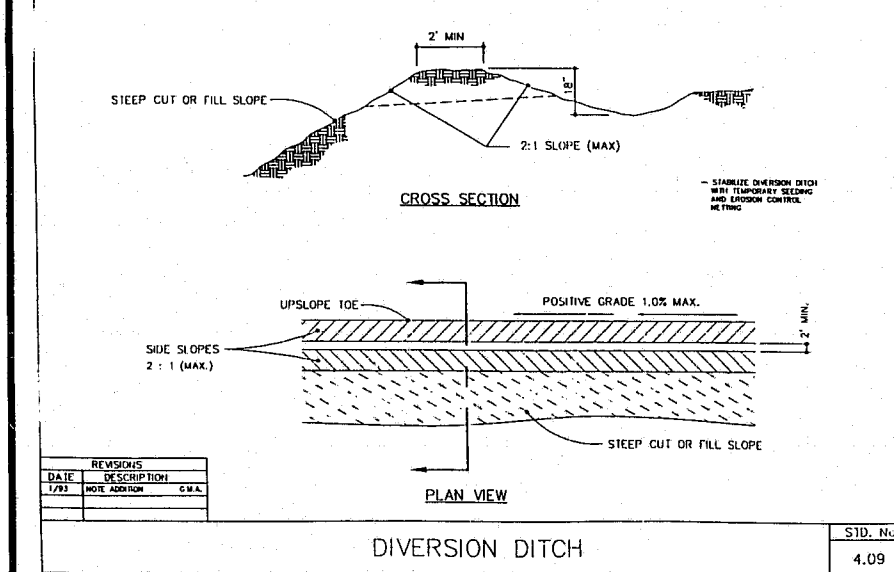
STANDARD SANITARY SEWER TAP AND SERVICE
SID. No. 7.01



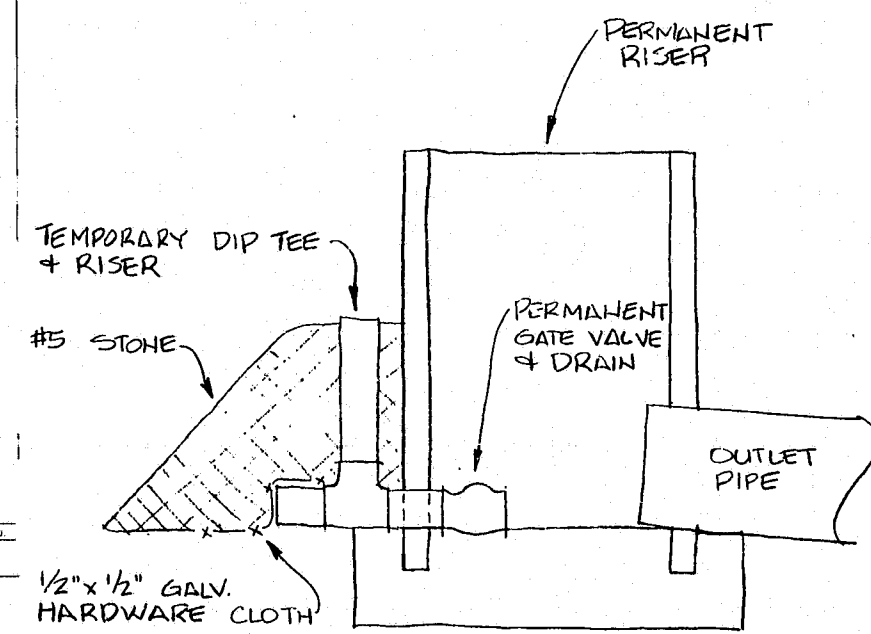
CONSTRUCTION ENTRANCE
SID. No. 4.07



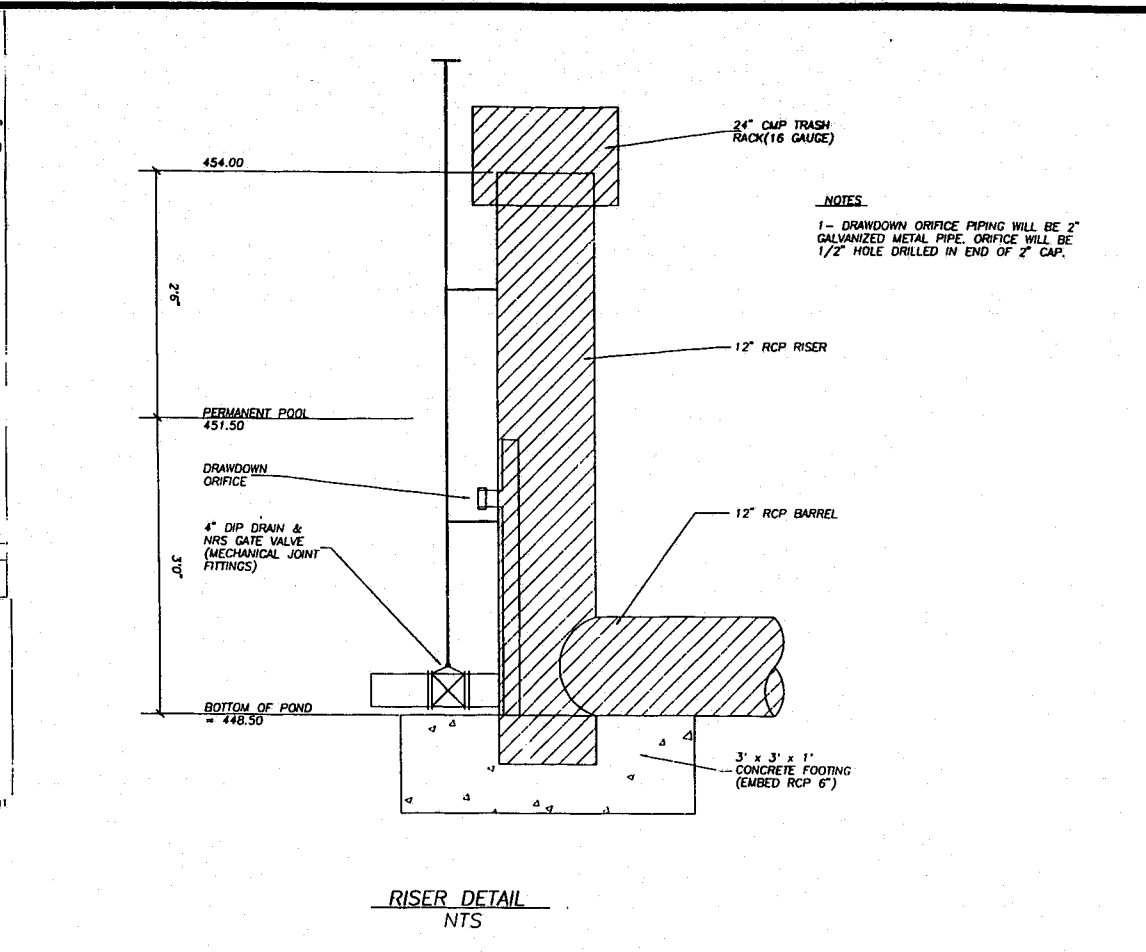
STANDARD SANITARY SEWER LATERAL CONNECTIONS
SID. No. 7.02



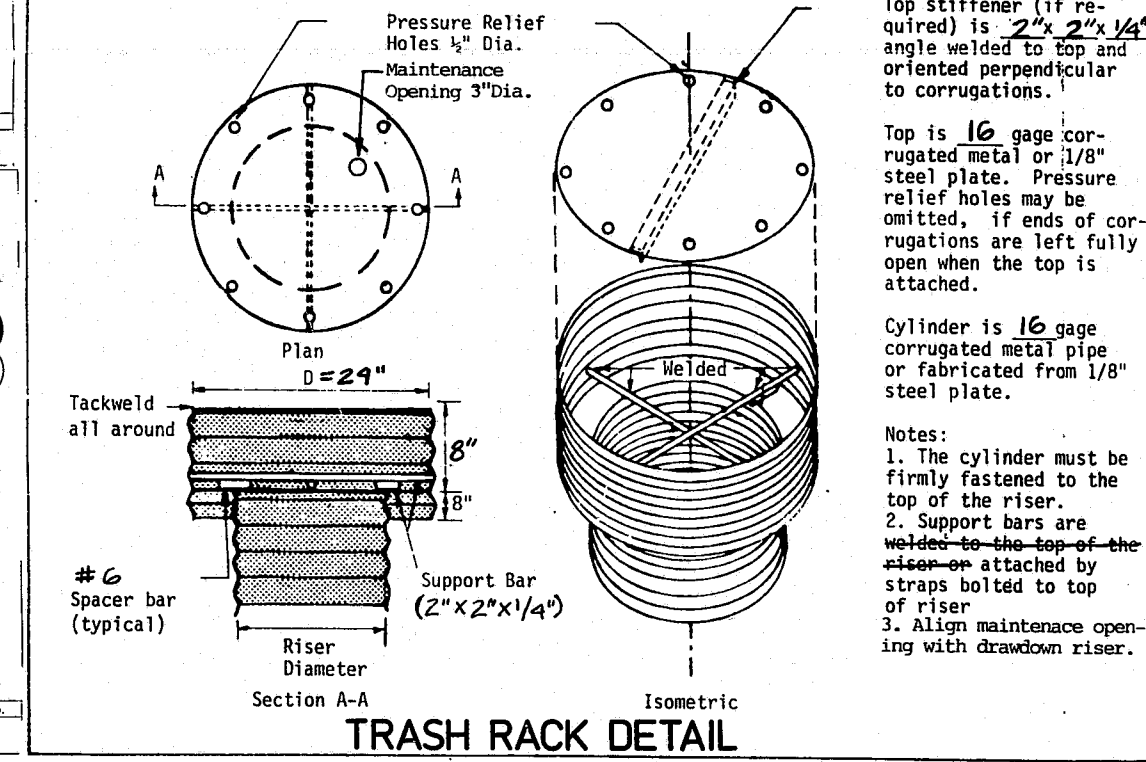
DIVERSION DITCH
SID. No. 4.09



TEMPORARY FILTER & DRAIN @ RISER (NTS)



RISER DETAIL (NTS)



TRASH RACK DETAIL

- SEEDBED PREPARATION**
- 1) Chisel compacted areas and spread topsoil 3 inches deep over adverse soil conditions, if available.
 - 2) Rip the entire area to 6 inches depth.
 - 3) Remove all loose rock, roots and other obstructions leaving surfaces reasonably smooth and uniform.
 - 4) Apply agricultural lime, fertilizer, and superphosphate uniformly and mix with soil (see below).
 - 5) Continue tillage until a well-pulverized, firm, reasonably uniform seedbed is prepared 4 to 6 inches deep.
 - 6) Seed a freshly prepared seedbed and cover seed lightly with seeding equipment or cultipack after seeding.
 - 7) Mulch immediately after seeding and anchor mulch.
 - 8) Inspect all seeded areas and make necessary repairs or reseedings within the planting season, if possible. If stand should be over 60% damaged, reestablish following original lime, fertilizer and seeding rates.
 - 9) Consult Conservation Inspector on maintenance treatment and fertilization after permanent cover is established.
- * Apply: Agricultural Limestone - 2 Tons/Acre (3 Ton per Acre on clay soils)
Fertilizer - 1,000 lbs./acre - 10-10-10
Superphosphate - 500 lbs./acre - 20%
Mulch - 2 Tons/Acre - small grain straw
Anchor - Asphalt Emulsion @ 300 gal. acre

SEEDING SCHEDULE
SHOULDERS, SIDE DITCHES, SLOPES (max. 3:1)

DATE	TYPE	PLANTING RATE
Aug 15 - Nov 1	Tall Fescue	300 lbs/acre
Nov 1 - Mar 1	Tall Fescue & Abruzzi Rye	300 lbs/acre
Mar 1 - Apr 15	Tall Fescue	300 lbs/acre
Apr 15 - June 30	Hulled Common Bermudagrass	25 lbs/acre
July 15 - Aug 15	Tall Fescue and *** Broomtop Millet *** or Sorghum-Sudan Hybrids	35 lbs/acre
SLOPES (3:1 to 2:1)		
Mar 1 - June 1	Sericea Lespedeza (scarified)	50 lbs/acre
Mar 1 - Apr 15	and ADD Tall Fescue	120 lbs/acre
Mar 1 - June 30	and ADD Weeping Lovegrass	10 lbs/acre
Mar 1 - June 30	or ADD Hulled Common Bermudagrass	25 lbs/acre
June 1 - Sep 1	*** Tall Fescue and *** Broomtop Millet *** or Sorghum-Sudan Hybrids	120 lbs/acre
Sep 1 - Mar 1	Sericea Lespedeza (unhulled-unscarified)	70 lbs/acre
Nov 1 - Mar 1	and Tall Fescue ADD Abruzzi Rye	120 lbs/acre
		25 lbs/acre

Consult Erosion Control Engineer or Soil Conservation Service for additional information concerning other alternatives for vegetation of denuded areas. The above vegetation rates are those which do well under local conditions; other seeding rate combinations are possible.

*** Temporary - Reseed according to optimum season for desired permanent vegetation. Do not allow temporary cover to grow over 12 inches in height before mowing, otherwise fescue may be shaded out.

Revisions

No.	Description	Date	By
1	REVISED PER T.O.C. 1st REVIEW	2/17/95	ATB

Designer	Scale	CAD File
LGS	NA	
Drawn By	Date	Sheet No.
ATB	1/30/95	4
Checked By	Job No.	
LGS	94108	

