

room finish schedule

FINISH NUMBER	SPACE	FLOOR	BASE	WALLS	CEILING	REMARKS
	ENTRY	CONCRETE	NONE	BRICK	GYPSUM WALLBOARD	
	FOYER	HALF VINYL HALF CARPET	WOOD	PAINTED GYPSUM BOARD	STIPPLE SPRAY GYPSUM WALLBOARD	WHERE CLOSETS OCCUR - FINISH SAME AS FOYER
	LIVING ROOM	CARPET	WOOD	PAINTED GYPSUM BOARD	STIPPLE SPRAY GYPSUM WALLBOARD	
	DINING AREA	CARPET	WOOD	PAINTED GYPSUM BOARD	STIPPLE SPRAY GYPSUM WALLBOARD	
	KITCHEN	SHEET VINYL	WOOD	WALLPAPER	SEMI-GLOSS PAINTED GYPSUM WALLBOARD	
	HALL	CARPET	WOOD	PAINTED GYPSUM BOARD	STIPPLE SPRAY GYPSUM WALLBOARD 7'-0" CEILING HEIGHT	CLOSETS - FINISH SAME AS HALL MECHANICAL CLOSETS - SEE BELOW
	BEDROOM	CARPET	WOOD	PAINTED GYPSUM BOARD	STIPPLE SPRAY GYPSUM WALLBOARD	CLOSETS - FINISH SAME AS BEDROOM
	BATH	4 1/2 X 4 1/2 CERAMIC TILE	CERAMIC TILE	WALLPAPER	PAINTED SEMI-GLOSS GYPSUM WALLBOARD	
	WASHER DRYER CLOS.	SHEET VINYL	WOOD	PAINTED GYPSUM BOARD	STIPPLE SPRAY GYPSUM WALLBOARD	
	MECHANICAL CLOSET	NONE	NONE	NONE	EXPOSED GYP. BOARD	
	BALCONY	CONCRETE	NONE	-	3/8" PAINTED PLYWOOD	
	OUTSIDE STORAGE	CONCRETE	NONE	NONE	PAINTED GYPSUM WALLBOARD	
	VERANDA	CONCRETE	NONE	-	1 X 4 TONGUE GROOVE V.G. JOIST END	
	OFFICE, REC. ROOM	CARPET	WOOD	PAINTED GYPSUM BOARD	STIPPLE SPRAY GYPSUM WALLBOARD	CLOSET - FINISH SAME AS OFFICE
	TOILETS	SHEET VINYL	WOOD	WALLPAPER	STIPPLE SPRAY GYPSUM WALLBOARD	
	SHOWER ROOMS	CONCRETE	NONE	PAINTED GYPSUM BOARD	PAINTED GYPSUM WALLBOARD	
	POOL EQUIPMENT RM	CONCRETE	NONE	BLOCK	EXPOSED	
	STORAGE ROOM	CONCRETE	NONE	EXPOSED STUDS	EXPOSED	

door schedule

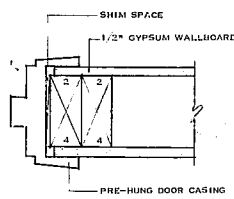
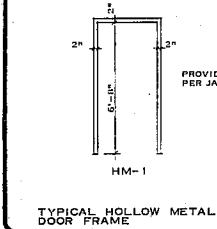
DOOR TYPE	SIZE	DETAIL	JAMB	DESCRIPTION	REMARKS
①	3'-0" X 6'-8" X 1 3/4"	A402 A403 A404		HOLLOW METAL	B LABEL (1 1/2 HOUR) FIRE DOOR
②	6'-0" X 6'-0"	A411	A411	SLIDING GLASS / ALUMINUM FRAME	
③	1'-6" X 6'-8" X 1 3/4"		A401	WOOD - HARDBOARD SURFACE	PRE-HUNG WITH JAMB AND TRIM
④	2'-6" X 6'-8" X 1 3/4"		A401	WOOD - HARDBOARD SURFACE	PRE-HUNG WITH JAMB AND TRIM
⑤	5'-0" X 6'-8" X 1 3/4"			WOOD BI-FOLD 4 PANELS (11'-3" EACH)	COMPLETE WITH HARDWARE
⑥	2'-0" X 6'-8" X 1 3/4"		A401	WOOD - HARDBOARD SURFACE	PRE-HUNG WITH JAMB AND TRIM
⑦	2'-10" X 6'-8" X 1 3/4"		A401	WOOD - HARDBOARD SURFACE	PRE-HUNG WITH JAMB AND TRIM
⑧	4'-0" X 6'-8" X 3/4"			WOOD - BI-FOLD 4 PANELS (11'-0" EACH)	COMPLETE WITH HARDWARE
⑨	1'-4" X 6'-8" X 1 3/4"		A401	WOOD - HARDBOARD SURFACE	PRE-HUNG WITH JAMB AND TRIM
⑩	3'-0" X 6'-8" X 3/4"			WOOD - BI-FOLD 2 PANELS (11'-0" EACH)	COMPLETE WITH HARDWARE
⑪	3'-0" X 6'-8"			WOOD STYLE, TOP, BOTTOM AND MIDDLE RAILS	SEE BUILDING ELEVATION A306 GLAZING PANELS TO BE INSULATING GLASS
⑫	2'-4" X 6'-8"	SIM. A402		PAIR - HOLLOW METAL	FULL HEIGHT LOUVERED
⑬	3'-0" X 6'-8"			HOLLOW METAL	2" X 5 3/4" HOLLOW METAL FRAME IN A WOOD STUD WALL
⑭	3'-0" X 6'-8"		SIM. A401	WOOD - LUMBER CORE	
⑮	2'-0" X 6'-8"		A401	WOOD WITH FULL HEIGHT LOUVER	

window schedule

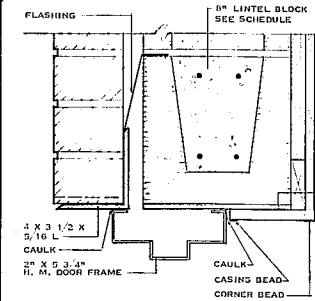
WINDOW TYPE	WINDOW DESCRIPTION	ROUGH OPENING	REMARKS
A	ALUM. SINGLE HUNG - ACORN #2038	11'-11" X 3'-7 1/2"	INSULATING GLASS - WHITE FINISH 3/4" - 1 1/2" ROUGH OPENING WIDTH FOR DOUBLE WINDOWS
B	ALUM. SINGLE HUNG - ACORN #2844	2'-7" X 4'-3 1/2"	INSULATING GLASS - WHITE FINISH
C	ALUM. SINGLE HUNG - ACORN #3038	2'-11" X 3'-7 1/2"	INSULATING GLASS - WHITE FINISH 6" - 1 1/2" ROUGH OPENING WIDTH FOR DOUBLE WINDOWS

lintel schedule

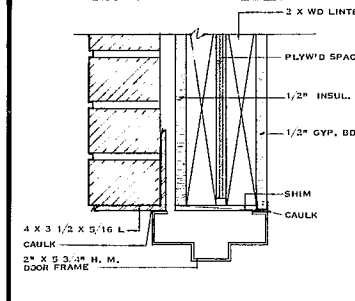
WALL TYPE	OPENING	LINTEL	REINFORCING	BEARING	REMARKS
4" BRICK	0'-0" TO 6'-0"	L4 X 3 1/2 X 5 1/8		8"	TO BE USED WITH BLOCK LINTEL
6" BLOCK	0'-0" TO 4'-0"	6" X 8" BLOCK	2 - #4 T AND B	8"	
8" BLOCK	0'-0" TO 4'-0"	8" X 8" BLOCK	2 - #4 T AND B	8"	
8" BLOCK	0'-0" TO 4'-0"	8" X 8" BLOCK	2 - #5 T AND B	8"	
8" BLOCK	0'-0" TO 6'-0"	8" X 8" BLOCK	2 - #6 T AND B	8"	



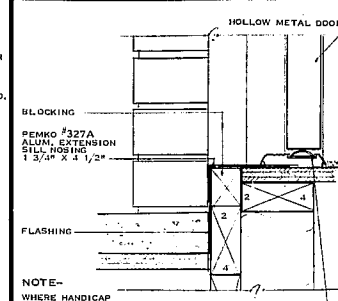
detail 01
SCALE - 3" = 1'-0"



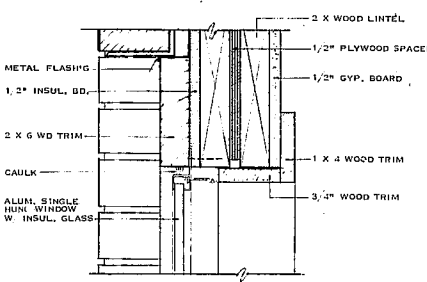
detail 02
SCALE - 3" = 1'-0"



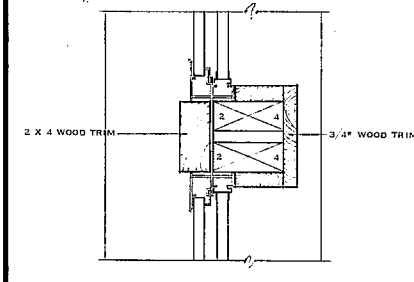
detail 03
SCALE - 3" = 1'-0"



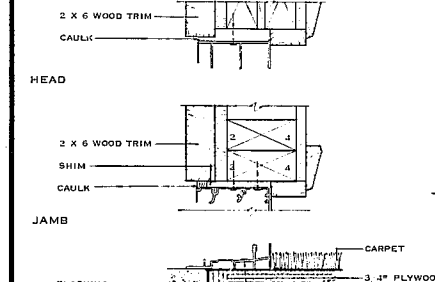
detail 04
SCALE - 3" = 1'-0"



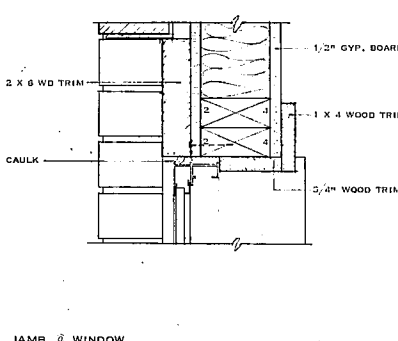
detail 05
SCALE - 3" = 1'-0"



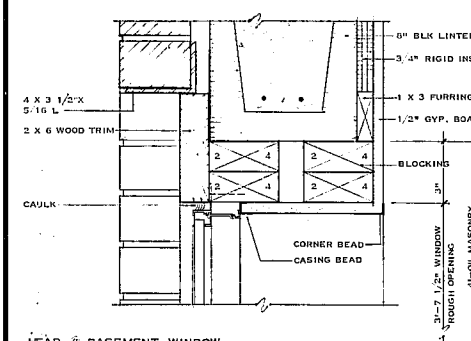
detail 08
SCALE - 3" = 1'-0"



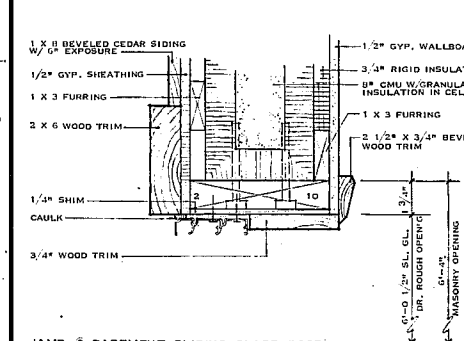
detail 11
SCALE - 3" = 1'-0"



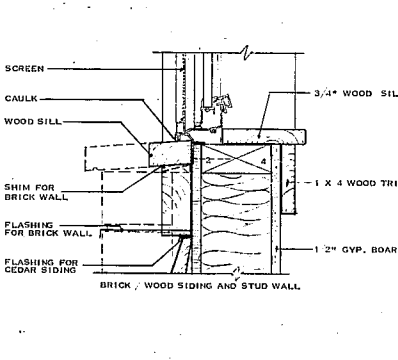
detail 06
SCALE - 3" = 1'-0"



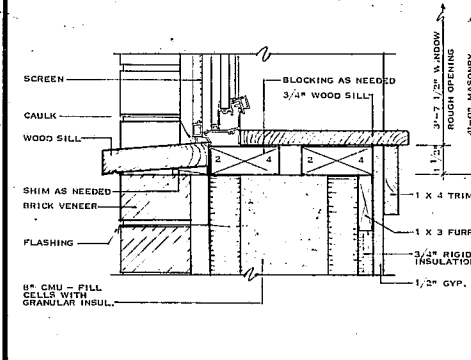
detail 09
SCALE - 3" = 1'-0"



detail 12
SCALE - 3" = 1'-0"



detail 07
SCALE - 3" = 1'-0"



detail 10
SCALE - 3" = 1'-0"

revisions

NO.	DATE	DESCRIPTION
1	REVISED MARCH 2, 1981	REVISED MARCH 2, 1981
2	REVISED MARCH 2, 1981	REVISED MARCH 2, 1981

atari

fred tolson associates inc

SUITE 200 JJO1 EXECUTIVE DRIVE
RALEIGH, N. C. 27601 919 878-8400

PROJECT
ASHTON WOODS APARTMENTS

OWNER
ASHTON WOODS ASSOCIATES

LOCATION
CARY, N. C.

JOB NUMBER
8002-04

DRAWN BY
ATAI

DATE
NOVEMBER 1980

FINISH SCHEDULE
SCREENS AND WINDOW
DOOR AND WINDOW
DETAILS

ISSUED FOR
CONSTRUCTION
MARCH 2, 1981

SHEET NUMBER
A4
OF 12 SHEETS

THIS DOCUMENT IS THE PROPERTY OF ARCHITECTS FRED TOLSON ASSOCIATES, INC. TO REUSE THIS DOCUMENT FOR ANY PURPOSE OTHER THAN THE EXECUTION OF THE ABOVE TITLED PROJECT IS PROHIBITED WITHOUT PRIOR WRITTEN PERMISSION OF THE ARCHITECT. RETURN ALL COPIES TO THE ARCHITECT UPON REQUEST.