



revisions

atai

associates inc  
2301 executive drive  
suite 200  
raleigh, n. c. 27609 919-876-8400

architects  
fred tolson

project  
ASHION WOODS  
APARTMENTS

owner  
ASHION WOODS  
ASSOCIATES

location  
CAPT. C

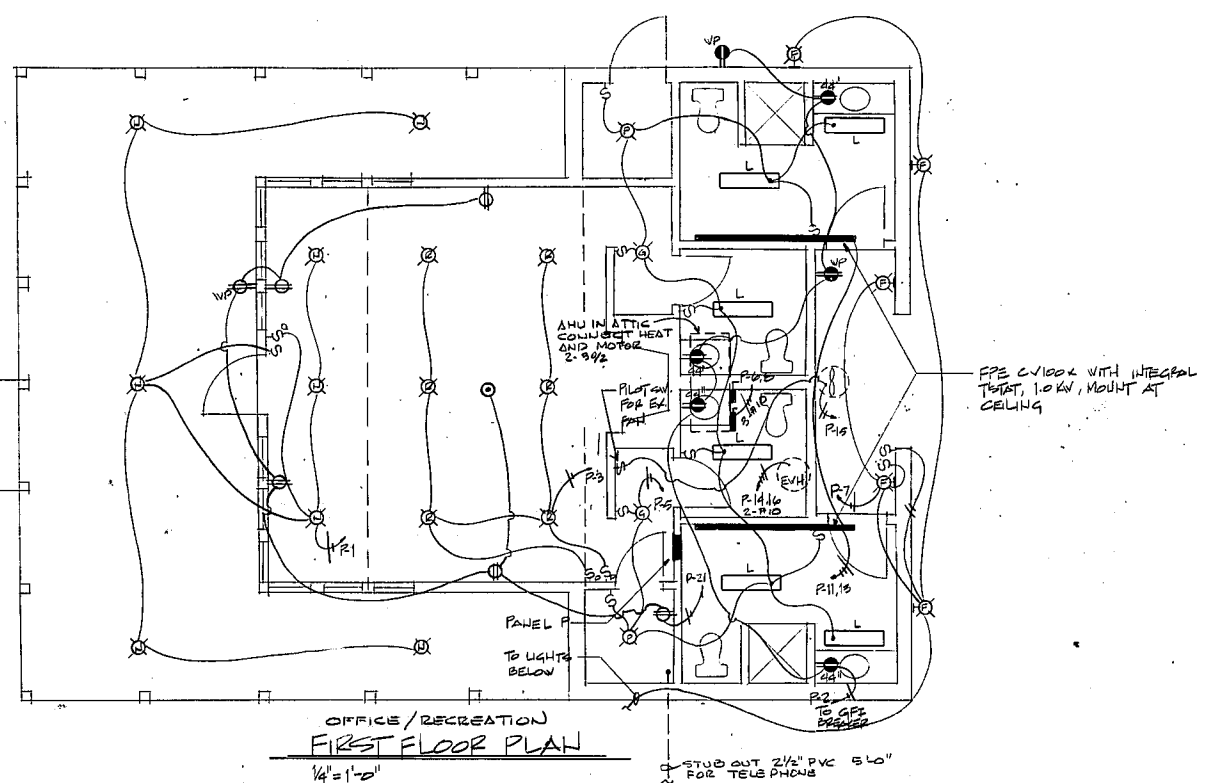
job number  
8002-04  
drawn by DB, LDJ

date  
NOVEMBER 1980

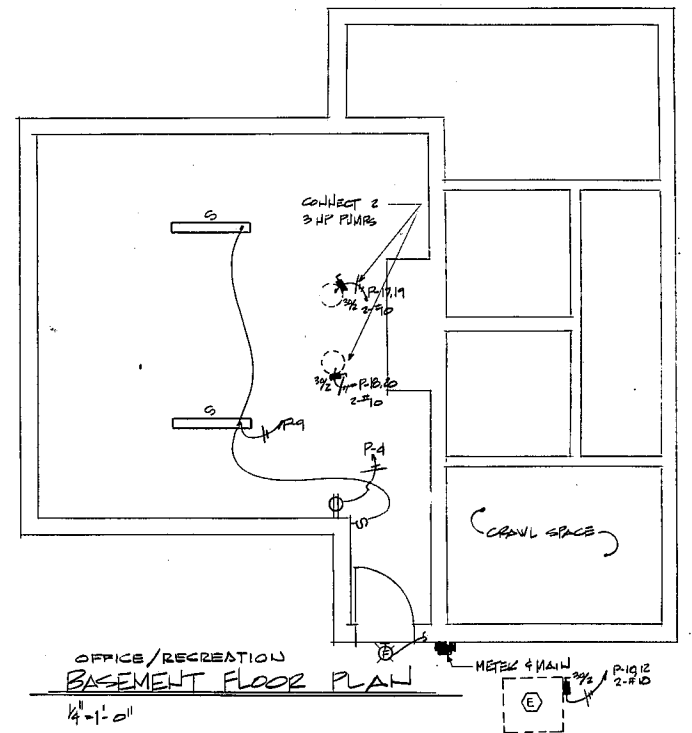
FIXTURE SCHEDULE  
ELEC. RISER  
OFFICE/RECREATION  
ELEC. PLAN

ISSUED FOR  
CONSTRUCTION  
MARCH 2, 1981

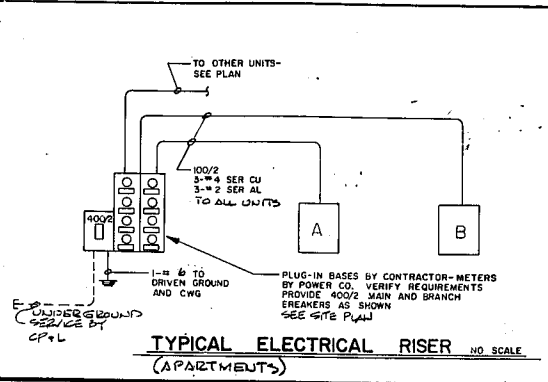
SHEET NUMBER  
E-1  
OF 3 SHEETS



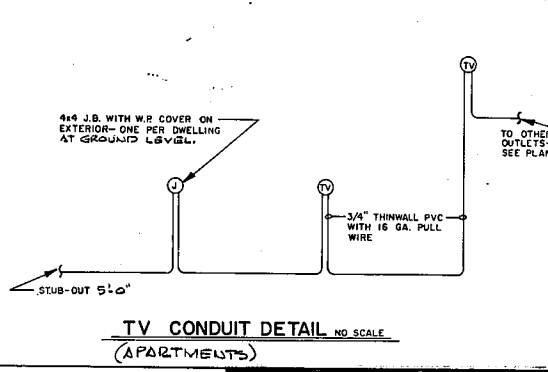
OFFICE/RECREATION  
FIRST FLOOR PLAN  
1/4" = 1'-0"



OFFICE/RECREATION  
BASEMENT FLOOR PLAN  
1/4" = 1'-0"



TYPICAL ELECTRICAL RISER  
(APARTMENTS)  
NO SCALE



TV CONDUIT DETAIL  
(APARTMENTS)  
NO SCALE

NOTE: ALL BREAKERS ARE 20/1 UNLESS SHOWN OTHERWISE. \* CIRCUIT BREAKER

NO.	DESCRIPTION	WATTAGE	REMARKS
1	400W	400	1st RECEPT
2	100W	100	3rd RECEPT
3	800W	800	6 1/2\"/>
4	800W	800	8\"/>
5	200W	200	10\"/>
6	200W	200	12\"/>
7	200W	200	14\"/>
8	200W	200	16\"/>
9	200W	200	18\"/>
10	200W	200	20\"/>
11	200W	200	22\"/>
12	200W	200	24\"/>
13	200W	200	26\"/>
14	200W	200	28\"/>
15	200W	200	30\"/>
16	200W	200	32\"/>
17	200W	200	34\"/>
18	200W	200	36\"/>
19	200W	200	38\"/>
20	200W	200	40\"/>
21	200W	200	42\"/>
22	200W	200	44\"/>
23	200W	200	46\"/>
24	200W	200	48\"/>
25	200W	200	50\"/>
26	200W	200	52\"/>
27	200W	200	54\"/>
28	200W	200	56\"/>
29	200W	200	58\"/>
30	200W	200	60\"/>
31	200W	200	62\"/>
32	200W	200	64\"/>
33	200W	200	66\"/>
34	200W	200	68\"/>
35	200W	200	70\"/>
36	200W	200	72\"/>
37	200W	200	74\"/>
38	200W	200	76\"/>
39	200W	200	78\"/>
40	200W	200	80\"/>
41	200W	200	82\"/>
42	200W	200	84\"/>
43	200W	200	86\"/>
44	200W	200	88\"/>
45	200W	200	90\"/>

MAIN BREAKER IC

PANEL P 120/240 VOLT, 1 PH, 3 W.

225 A MAINS MAIN BREAKER: - AMP, - POLE

30 POLES DIMENSIONS: - W, - D.

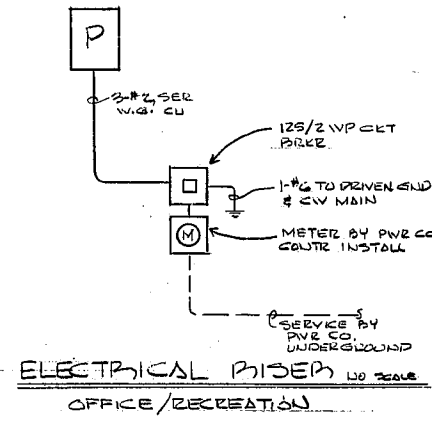
SURFACE MOUNTED  S/N BAR  CONNECTED LOAD

FLUSH MOUNTED  GRD. BAR  KW,  AMPS

CONNECTED LOADS  
OFFICE/RECREATION

LIGHTS	2.7 KW
RECEPT & MISC.	2.6 KW
EVH	4.5 KW
ELEC HEAT	7.8 KW
POOL	8.0 KW
A/C	3.9 KW
<b>TOTAL</b>	<b>29.5 KW</b>

LESS A/C = 25.6 KW @ 11.3 A @ 240/1



ELECTRICAL RISER  
OFFICE/RECREATION  
NO SCALE

FIXTURE SCHEDULE

MARK	CATALOG No. & DESCRIPTION	EQUAL	LAMPS	WATTS
A	CAPEX RD-12	LIGHTREPT, MOE	2-30W I.F.	100
B	KEYSTONE C-220	CRESCENT, LITLONIA	2-PROTECHAT	50
C	KEYSTONE V-220A	"	2-PROTECHAT	50
D	LIGHTREPT 100-41-76	LIGHTREPT, MOE	1-100W	100
F	HARRIS 200-WHTE	"	1-50W	50
G	STERLING P-2202H	"	1-75W	75
H	STERLING P-2204H	"	1-100W	100
K	KEYSTONE V-240A	CRESCENT, LITLONIA	2-PROTECHAT	100
M	CAPEX R-10/24-16	LIGHTREPT, MOE	1-50W	50
P	BERCELAIN LAMPHOLDER	"	1-50W I.F.	50
L	KEYSTONE LU-240	STERLING, LITLONIA	2-PROTECHAT	100
N	CAPEX C10/24-22	LIGHTREPT, MOE	1-50W I.F.	50
R	CAPEX R-16/20-16	PROTECH, LIGHTREPT	1-50W I.F.	50
S	KEYSTONE C-240	CRESCENT, LITLONIA	2-PROTECHAT	100

- GENERAL REQUIREMENTS
- WORKMANSHIP SHALL CONFORM TO N.E.C.A. PUBLICATION "STANDARDS OF INSTALLATION".
  - INSTALLATION SHALL COMPLY WITH NATIONAL ELECTRICAL CODE, N.C. BUILDING CODE, AND ALL REQUIREMENTS OF THE LOCAL INSPECTOR (FURNISH INSPECTION CERTIFICATE). ALL WORK SHALL BE BY LICENSED ELECTRICAL CONTRACTOR.
  - ALL BRANCH CIRCUITS SHALL BE NM CABLE OR CONDUIT AS PERMITTED OR REQUIRED BY N.E.C. CONDUIT SHALL BE USED FOR CIRCUITS UNDER SLAB ON GRADE.
  - ALL BRANCH CIRCUIT CONDUCTORS SHALL BE COPPER. FEEDER CONDUCTORS SHALL BE COPPER OR ALUMINUM OF EQUIVALENT AMPACITY.
  - ALL EQUIPMENT LOADS SHALL BE VERIFIED BEFORE EQUIPMENT AND/OR CIRCUIT INSTALLATION. VERIFY LOCATION OF ALL FLOOR OUTLETS BEFORE INSTALLATION.
  - ALL FLOURESCENT FIXTURE BALLAST SHALL CONFORM TO U.L. TYPE 'P' REQUIREMENTS AS APPLICABLE. ALL WIRING IN FIXTURE CHANNELS SHALL BE TYPE 'RHM' OR 'THMN'.
  - GROUNDING SHALL BE PER N.E.C. PROVIDE GREEN GROUNDING JUMPER ON ALL RECESSED DUPLEX RECEPTACLES.
  - DEVICE PLATES SHALL BE IVORY ON WHITE SURFACES, BRUSHED BRASS ON BRICK, AS DIRECTED ON OTHER. LEVITON 'PLATES' SHALL BE USED WITH PLASTIC BOXES.
  - RECEPTACLES SHALL BE LEVITON 125/1 SWITCHES LEVITON 8501-1 SERIES; OTHER OUTLETS AS NOTED (NEMA CONFIGURATIONS). EQUAL: LUBELL, B&K-1.
  - ALL WALL OUTLET BOXES COMPLETE WITH CLAMPS. USE OCTAGON CEILING BOXES. (PLASTIC BOXES COMPLETE WITH CLAMPS OPTIONAL WITH OVERSIZE PLATES)
  - ALL CIRCUITS SHALL BE TESTED BEFORE ENERGIZING.
  - CONNECT METER AND HEAT AT INDICATED A/C SECTION. SEE SITE PLAN FOR A/C UNIT LOCATIONS.
  - WIRE SIZES SHALL BE SAME AS CIRCUIT BREAKER SIZES.

ELECTRICAL LEGEND

- FLUORESCENT FIXTURE
- INCANDESCENT FIXTURE
- HOME RUN TO PANEL - NM CABLE WITH GROUND
- BRANCH CIRCUIT - NM CABLE - SEE DETAIL
- SINGLE POLE WALL SWITCH - 44" A.F.F.
- 3-WAY WALL SWITCH - 44" A.F.F.
- DIMMER SWITCH - 44" A.F.F.
- MOTOR SWITCH WITH COVER - MOUNTED DUAL ELEMENT FUSE
- DUPLEX RECEPTACLE - 16" A.F.F. OR AS NOTED
- POWER RECEPTACLE - 16" A.F.F. OR AS NOTED
- CLOCK OUTLET - 90" A.F.F.
- SWITCH TOP HALF OF RECEPTACLE
- JUNCTION BOX
- SMOKE DETECTOR - PYR-A-LARM, 302 P, OR HONEYWELL
- RECESSED RE. CONTROL FOR LIGHT - T02 3010, DEWALT, SARGENT
- GROUND FAULT RECEPTACLE OR BREAKER.
- TELEPHONE WALL OUTLET BY TELEPHONE CO.
- DISCONNECT SWITCH - NEMA 3R FUSIBLE
- WEATHERPROOF RECEPTACLE
- SINGLE GANG BOX WITH 1-HOLE COVER
- RUN 3/4" PVC TO LOCATION SHOWN 16" A.F.F.
- EMERGENCY SWITCH - EDWARDS 7934 EL, RAULSUD, SIMPLEX
- EMERGENCY BELL - EDWARDS 240-1-120VOLT W/ 240V VENTILATION BREAKER

NOTES:  
1. SEE ARCHITECTURAL DRAWINGS FOR DETAILS OF WIRING SPACE IN EXTERIOR WALLS.  
2. USE 40A OUTLET FOR RANGE, 30A FOR DRYER IF REQUIRED.

BASS, NIXON & KENNEDY, INC.  
CONSULTING ENGINEERS  
7416 CHAPEL HILL ROAD  
RALEIGH, NORTH CAROLINA 27606

