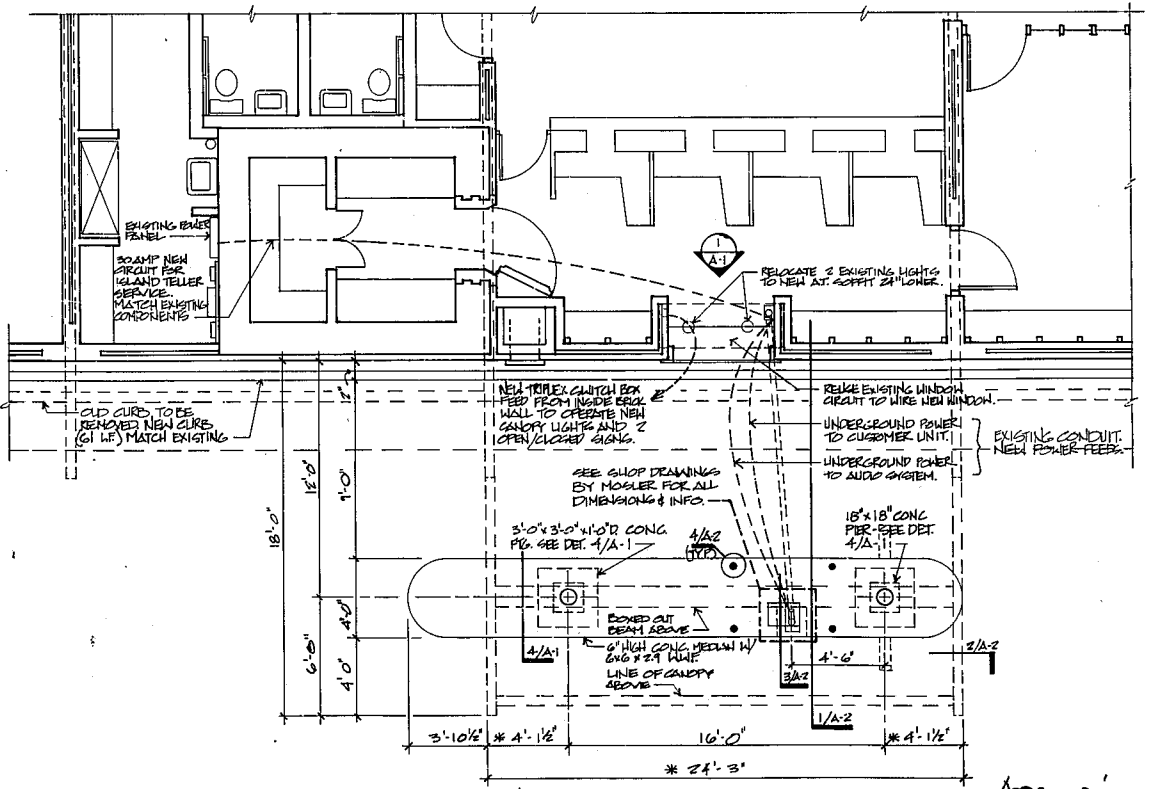
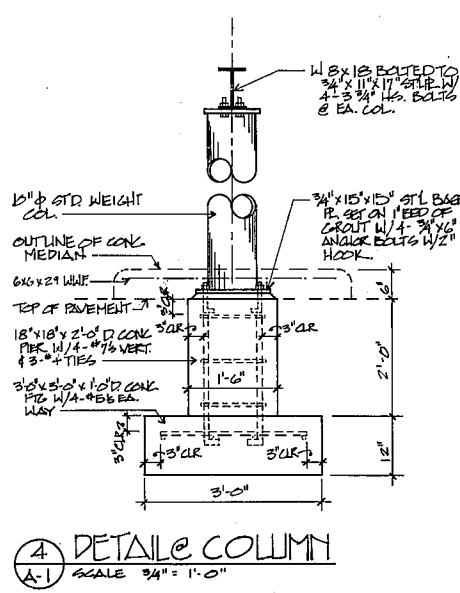
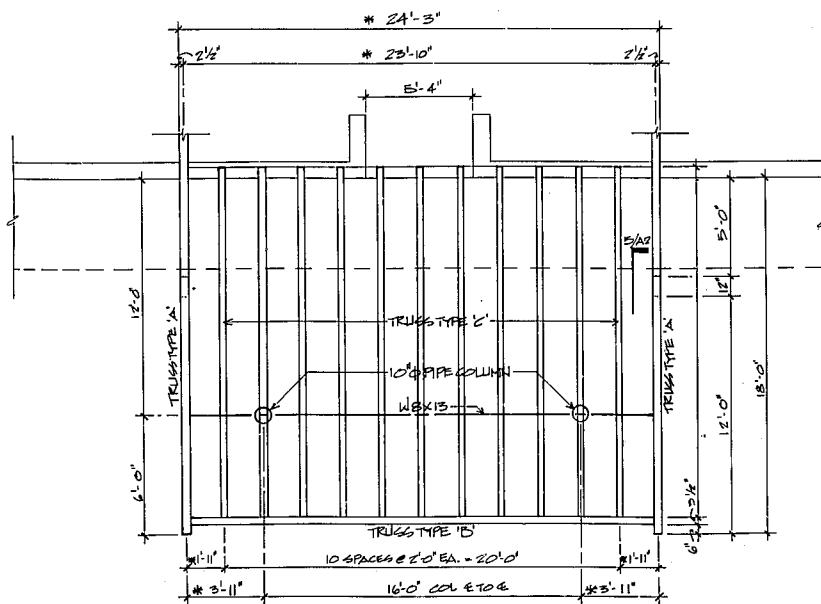
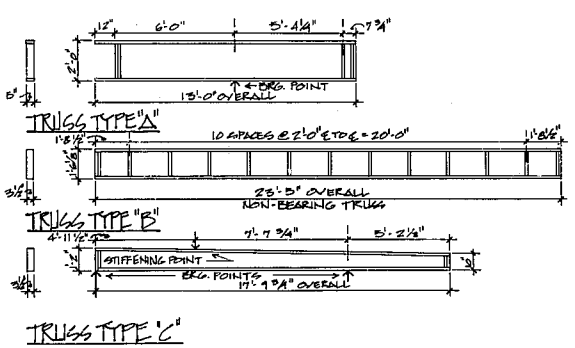


NOTE: SEE MOSLER SHOP DRAWINGS FOR ALL INFORMATION REGARDING MOSLER EQUIPMENT, SPECIFICATIONS, INSTALLATION AND ELECTRICAL HOOK UP.

NOTE: PREPARED TRUSSES SHOWN HERE ARE REPRESENTATIVE ONLY. TRUSSES TO BE USED SHALL BE THE SEAL OF A PROFESSIONAL ENGINEER LICENSED IN THE STATE OF NORTH CAROLINA.



* NOTE: THESE DIMENSIONS ARE BASED ON THE ORIGINAL CONSTRUCTION DOCUMENTS AND ARE SUBJECT TO ERROR. FIELD VERIFY ALL EXISTING DIMENSIONS.

* NOTE: THESE DIMENSIONS ARE BASED ON THE ORIGINAL CONSTRUCTION DOCUMENTS AND ARE SUBJECT TO ERROR. FIELD VERIFY ALL EXISTING DIMENSIONS.

THIS DRAWING AND THE DESIGN HEREON IS THE PROPERTY OF THE SMITH SINNETT ASSOCIATES, P.A. THE REPRODUCTION OR USE OF THIS PROPERTY WITHOUT THE WRITTEN CONSENT OF THE ARCHITECT IS PROHIBITED AND ANY IMPAIRMENT OF THE OWNERSHIP RIGHTS WILL BE SUBJECT TO LEGAL ACTION. ALL COPIES OF THIS DRAWING MUST BE RETURNED TO THE ARCHITECT AT THE COMPLETION OF THE CONTRACT.

THE SMITH • SINNETT ASSOCIATES, P.A.
110 WIND CHIME COURT
RALEIGH, NORTH CAROLINA, 27609

CANOPY ADDITION TO BRANCH BANKING AND TRUST
CARY, NC

A-1
OF 2

NOV. 86

APPROVED:
P&Z 1/11/87
TC 1/22/87
ECS

REVISED 1-9-87