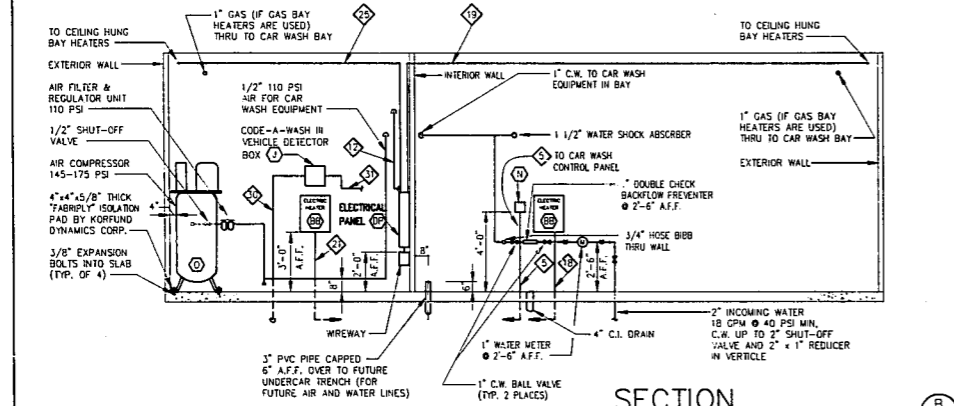
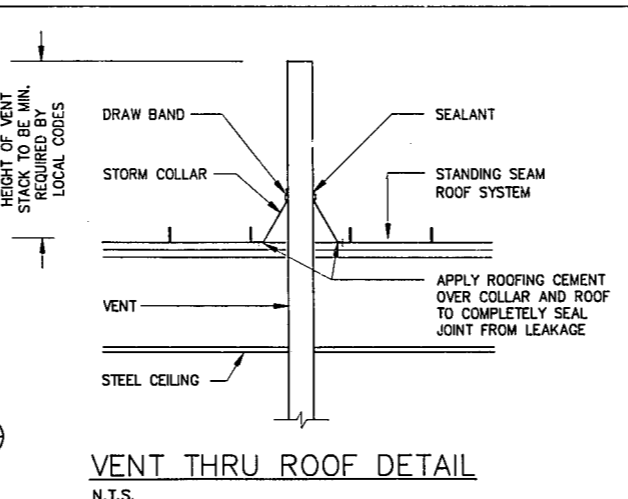


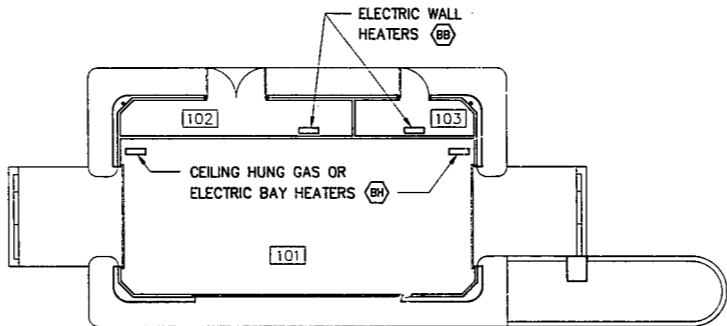
**SECTION**  
(VOYAGER INSTALLATIONS ONLY)  
SCALE: 1/4" = 1'-0"



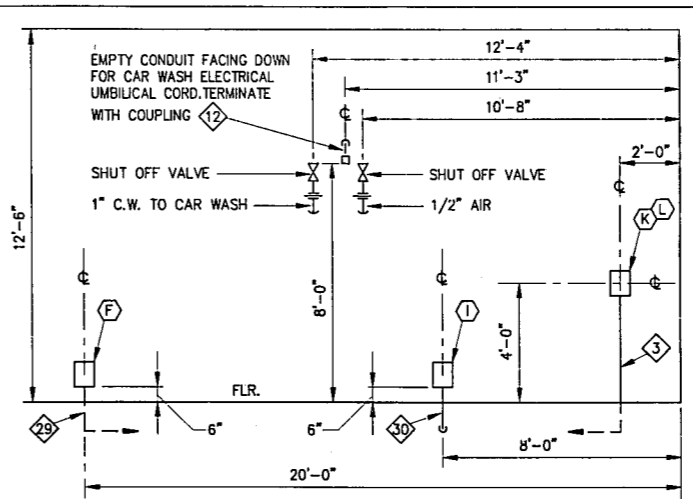
**SECTION**  
(NON-VOYAGER INSTALLATIONS)  
SCALE: 1/4" = 1'-0"



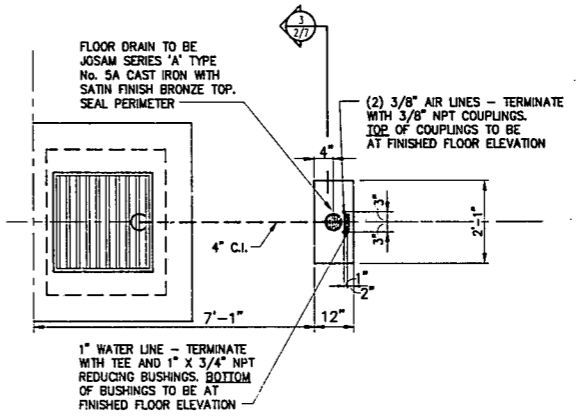
**VENT THRU ROOF DETAIL**  
N.T.S.



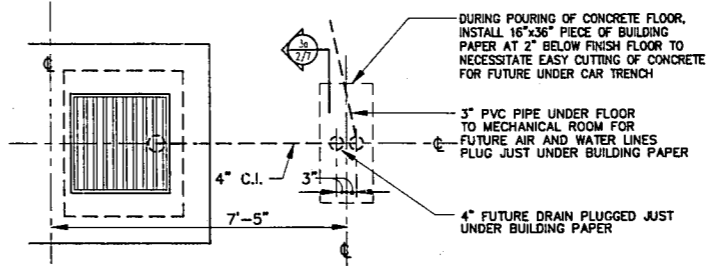
**HEATING PLAN**  
SCALE: 1/8" = 1'-0"



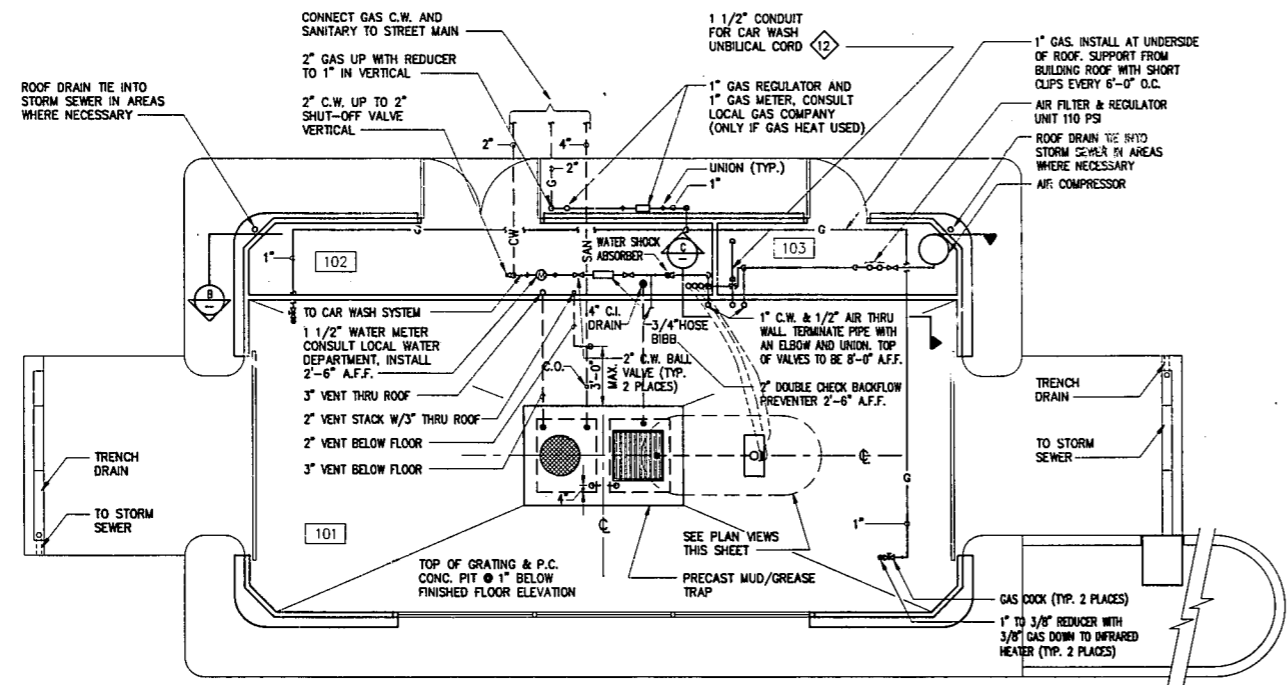
**WALL SECTION**  
SCALE: 3/8" = 1'-0"



**PLAN VIEW - UNDER CAR TRENCH**  
(VOYAGER INSTALLATIONS ONLY)  
SCALE: 1/2" = 1'-0"



**PLAN VIEW - FUTURE UNDER CAR TRENCH LOCATION**  
(NON-VOYAGER INSTALLATIONS)  
SCALE: 1/2" = 1'-0"  
(LEFT-HAND ENTRANCE OPPOSITE HAND)



**PLUMBING PLAN**  
SCALE: 1/4" = 1'-0"  
(LEFT-HAND ENTRANCE OPPOSITE HAND)

**PLUMBING & HEATING MATERIAL SCHEDULE**

NO.	ITEM	QTY.	SUPPLIED BY	INSTALLED BY
(C)	COMPRESSOR	1	OWNER	CONTR.
(BB)	ELECTRIC WALL HEATERS	2	OWNER	CONTR.
(L)	FILTER, REGULATORS	2	CONTR.	CONTR.
(BH)	BAY HEATER	2	OWNER	CONTR.

NOTE: ALL OTHER MATERIALS NOT REFERRED TO IN THE ABOVE PLUMBING AND HEATING MATERIAL SCHEDULE SHALL BE FURNISHED AND INSTALLED BY CONTRACTOR.

**LEGENDS:**

CONDUITS

CONDUIT NO.	TO	FROM
(3)	KILL SWITCH	CAR WASH PNL.
(12)	CAR WASH BAY	CAR WASH PNL.
(19)	BAY HEATER	PANEL TOP
(29)	BAY HEATER	PANEL TOP
(29)	TREADLE/AIR SWITCH JUNCTION BOX	CAR WASH PNL.
(30)	CODE-A-WASH IN JUNCTION BOX	CODE-A-WASH IN VEHICLE DETECTOR BOX
(31)	CODE-A-WASH IN VEHICLE DETECTOR BOX	WASH BAY TERMINAL BOX
(33)	UNDER CAR KIT	WASH BAY TERMINAL BOX

NOTE: FOR MORE INFORMATION SEE DWG. No. #7/7

MATERIALS

(F)	TREADLE/AIR SWITCH JUNCTION BOX
(I)	CODE-A-WASH IN JUNCTION BOX
(J)	CODE-A-WASH IN VEHICLE DETECTOR JUNCTION BOX
(K)	EMERG. KILL SW. BOX (3 1/2" x 3 1/4" x 2 3/4" OIL-TIGHT)
(L)	EMERGENCY KILL SWITCH
(N)	CHEMICAL INJECTION JUNCTION BOX (4" SQ. BOX)
(O)	UNDER CAR KIT

NOTE: FOR MORE INFORMATION SEE DWG. No. #5/7

**LEGEND:**

- F.D. FLOOR DRAIN
- C.O. CLEAN OUT
- A.F.F. ABOVE FINISHED FLOOR
- SAN -- SANITARY PIPING
- CW -- COLD WATER
- A -- AIR PIPING
- 1/4" PETCOCK (RADIATOR TYPE)

BP OIL COMPANY  
RETAIL MARKETING  
DESIGN AND ENGINEERING  
200 PUBLIC SQUARE  
CLEVELAND, OHIO 44114

3620 ROLL-OVER CAR WASH  
RIGHT-HAND ENTRANCE  
HEATING AND PLUMBING  
PLANS AND DETAILS

DWG. No. 4-3620 S	4/7 REV. 3		
SCALE: AS NOTED	MADE BY: BMO (927)		
DATE: APRIL 25, 1989	CHECKED BY: R.C.B.		
REVISIONS	DATE	OWN	CKD
COMBINATION VOYAGER AND NON-VOYAGER PACKAGE	4-17-89		
MUD/GREASE TRAP	4-28-89		
ELECTRICAL REVISIONS	6-1-89		