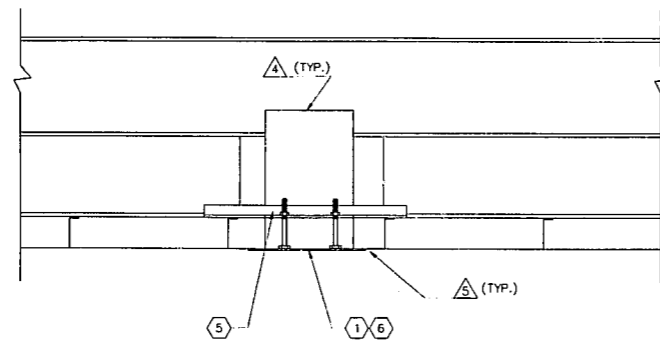
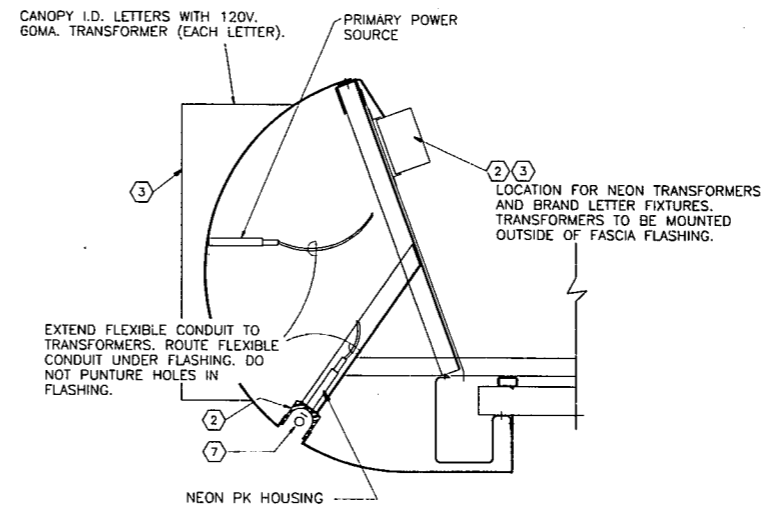


43' X 117' CANOPY ELECTRICAL PLAN



SECTION "A-A"
LIGHT FIXTURE

(DIRECTIONAL AND NON-DIRECTIONAL LIGHT FIXTURES)



SECTION "B-B"
BULLNOSE FASCIA

④ - MATERIAL SCHEDULE

NS = NEON SUPPLIER
BM = BUILDING MANUFACTURER
GC = GENERAL CONTRACTOR
O = OWNER
S = SUPPLIER
I = INSTALLER

NO.	DESCRIPTION	QTY.	S	I
1	WHITWAY "CIVIC" RECESSED SMH FIXTURE #JL-CC-400-SMH-MT-SS	6	BM	SEE NOTE 4
2	FASCIA NEON TROUGH STRIP LIGHT JEFFERSON ELECTRIC, CATALOG NO.721-451, SECONDARY 5,000V. 30MA. PRIMARY 120V. BALLAST FOR EACH TROUGH SECTION.	16-T2 TRANSFORMERS	BM	BM
3	INTERNALLY ILLUMINATED BRAND LETTERS, JEFFERSON ELECTRIC CATALOG NO.721-431, SECONDARY 5 @ 6000V. 60MA. PRIMARY 120V OR EQUAL.		O	SEE NOTE 6
4	LAMPS FOR ALL "CIVIC" FIXTURES		BM	GC
5	FIXTURE SUPPORT ANGLES	64	BM	BM
6	WHITWAY "CIVIC" RECESSED DIRECTIONAL SMH FIXTURE #JL-CC-400-SMH-MT-SS	28	BM	SEE NOTE 4
7	NEON TUBES	2 PER TROUGH	O	NS

• SEE PLOT PLAN FOR ACTUAL NUMBER AND LOCATION OF BRAND LETTERS.

NOTES

- 1) C - # INDICATES PANEL AND CIRCUIT. SEE BUILDING ELECTRICAL DRAWINGS.
- 2) (2) 1" CONDUITS AND (1) 3/4" CONDUIT, (1) 1" SERVICING DOWNLIGHTS, (1) 1" SERVICING NEON FASCIA LETTERS AND SPREADERS, 3/4" LEFT EMPTY. SEE CANOPY FOOTER DRAWING FOR TIE IN LOCATION BY G.C.
- 3) 1/2" CONDUIT DOWN TO SPREADER LIGHT BY B.M. (TYPICAL AT EACH COLUMN).
- 4) LIGHT FIXTURES INSTALLED BY B.M. WIRE BY G.C.
- 5) SEALANT CAULKING FOR FIXTURES BY B.M.
- 6) BRAND LETTERS INSTALLED ON FASCIA BY G.C. WIRING TO TRANSFORMERS, LOCATION OF TRANSFORMERS AND WIRING TO BACK ROOM ALSO BY G.C.
- 7) BUILDING MANUFACTURER COVERS THE INSTALLATION OF NEON TROUGH SYSTEM WITH PK HOUSING, TRANSFORMERS, AND TRANSFORMER WIRING. G.C. TO SUPPLY POWER FROM STATION PANEL BOX TO EACH TRANSFORMER. ONE TRANSFORMER REQUIRED PER EACH SECTION OF FASCIA.
- 8) CENTER LIGHT IN DECK PAN NEAREST THE 6'-6" DIMENSION (FROM CENTER OF COLUMN TO CENTER OF DECK PAN) SHOULD REMAIN SAME LOCATION AS CURRENT CANOPIES.

BP OIL CO.
RETAIL MARKETING
DESIGN AND ENGINEERING
200 PUBLIC SQUARE
CLEVELAND, OHIO 44114

43 x 117 CANOPY
ELECTRICAL
PLAN

DWG. NO.: 7-43x117CB-19 REV.: 8

SCALE: NO SCALE MADE BY: G.P.D.

DATE: 1/4/87 CHECKED BY:

REVISIONS	DATE	DWN	CKD
1. REVISED PER COMMENTS	1/27/87	GP	
2. REVISED PER COMMENTS	1/27/87	GP	
3. REVISED PER COMMENTS	1/27/87	GP	
4. REVISED PER COMMENTS	1/27/87	GP	
5. REVISED PER COMMENTS	1/27/87	GP	
6. REVISED PER COMMENTS	1/27/87	GP	
7. REVISED PER COMMENTS	1/27/87	GP	
8. REVISED PER COMMENTS	1/27/87	GP	
9. REVISED PER COMMENTS	1/27/87	GP	
10. REVISED PER COMMENTS	1/27/87	GP	

7-43x117CB 00A 7/9/87