

**MONOCOLUMN INSTALLATION INSTRUCTIONS**

AFTER THE ISLANDS ARE POURED, THE CANOPY COLUMNS AND DECKING INSTALLED, AND THE MPDS SET AND CONNECTED, THE FOLLOWING INSTRUCTIONS ARE USED TO INSTALL THE MONOCOLUMNS:

- SHIM THE MPD AT THE ISLAND SO THAT THE TOP OF THE MPD IS CENTERED WITH THE CANOPY COLUMNS IN THE NORTH/SOUTH AND THE EAST/WEST DIRECTION. BOLT THE MPD TO THE ISLAND.
- USE A PLUMB LINE TO DETERMINE THE CENTER LINE OF THE MONOCOLUMN ALONG THE UNDERSIDE OF THE CANOPY. FASTEN THE 2 TOP TRIM BRACKETS TO THE UNDERSIDE OF THE CANOPY 12-7/8" FROM THE CENTERLINE TO THE FRONT FACE OF THE BRACKET USING #8 X 5/8" SCREWS IN SLOTS. SEE DETAIL "A"
- FASTEN 4 SPREADER BRACKETS TO SPREADER USING 2-#10 X 3/4" BOLTS IN EACH BRACKET. SEE DETAIL "D"
- PLACE SPACERS ON TOP OF THE MPD (1" SPACER FOR WAYNE AND 2" SPACER FOR GILBARCO). SET SPREADER BOX ON TOP OF SPACERS. ADD SHIMS SO THAT SPREADER IS PLUMB AND CENTERED ON MPD. FASTEN FOUR REMAINING SPREADER BRACKETS USING BOLTS AS ABOVE. FASTEN SPREADER BRACKETS TO COLUMN USING 1/4 X 3/4" SELF TAPPING SCREWS IN 3/16" DRILLED HOLES. ELECTRICAL SUPPLY TO SPREADER CAN BE COMPLETED AFTER THIS STEP. SEE DETAIL "D"
- FASTEN 2 SHROUD BRACKETS TO COLUMNS 5" ABOVE TOP OF ISLAND USING 4 SLOTTED ANGLE CLIPS AND 1/4 X 3/4" SELF TAPPING SCREWS. SEE DETAILS "C" & "E"
- CUT 2 SHROUDS AND 4 STIFFENERS 2" LESS THAN DISTANCE BETWEEN ISLAND AND UNDERSIDE OF CANOPY. BEND SHROUD TABS AT 90 DEGREE ANGLE. FASTEN STIFFENERS TO SHROUD USING TAPE PROVIDED.
- SET 2 SHROUD REVEALS AROUND COLUMN. SET SHROUDS AROUND COLUMNS UP AGAINST UNDERSIDE OF THE CANOPY 2" ABOVE THE ISLAND. FASTEN SPREADER THRU SHROUD TABS INTO STIFFENER USING 16-1/4 X 3/4" SELF TAPPING SCREWS IN 3/16" DRILLED HOLES ALONG SPREADER FRAME. SEE DETAILS "C" & "D"
- FASTEN 4 S.S. TRIM ANGLES THRU SHROUD TAB INTO STIFFENER USING #8 X 5/8" S.S. FLAT HEAD SCREWS AT PREDRILLED LOCATIONS. SEE DETAIL "E"
- REMOVE SPACERS FROM TOP OF MPD. FASTEN 2 SPREADER LOWER TRIM ANGLES (WITH WARNING SIGNAGE) TO BOTTOM OF SPREADER USING #8 X 5/8" ROUND HEAD SCREWS IN PREDRILLED HOLES. SEE DETAIL "B"
- BEND SPREADER UPPER TRIM AT 90 DEGREE ANGLE AND CUT TO FIT BETWEEN TOP OF SPREADER AND UNDERSIDE OF CANOPY. REMOVE PAPER FROM DOUBLE SIDED TAPE AND SLIDE SPREADER UPPER TRIM INTO PLACE. REMOVE PAPER FROM SPREADER TOP TRIM ANGLE AND SLIDE BETWEEN TOP TRIM BRACKET AND UNDERSIDE OF CANOPY. FASTEN THE SPREADER UPPER TRIM FROM INSIDE SPREADER USING #8 X 5/8" ROUND HEAD SCREWS. SEE DETAIL "A"
- RUN A BEAD OF WHITE SILICONE CAULK ALONG THE UNDERSIDE OF THE CANOPY AROUND THE SHROUDS AND THE SPREADER TOP TRIM ANGLES.

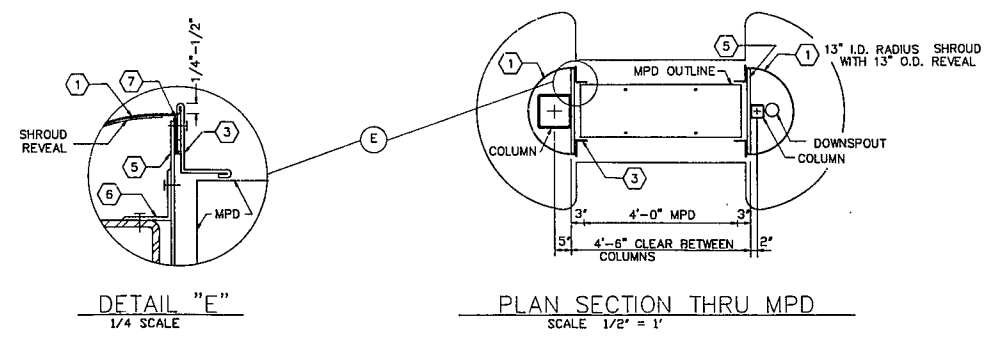
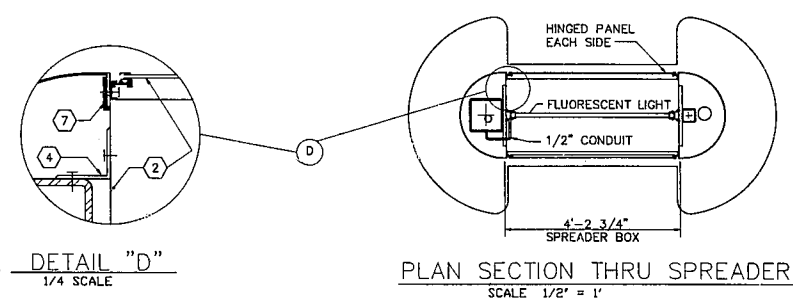
**MATERIAL SCHEDULE**

BM = BUILDING MANUFACTURER  
GC = GENERAL CONTRACTOR  
O = OWNER  
S = SUPPLIER  
I = INSTALLER

| NO. | DESCRIPTION  | QTY.      | S  | I  |
|-----|--|-----------|----|----|
| 1   | 26" X 15" DEEP COMPOSITE ALUMINUM SHROUDS & REVEAL                         | 2 PER MPD | BM | GC |
| 2   | INTERNALLY ILLUMINATED SPREADER BOX W/MANDATORY SIGNAGE & TOP TRIM W. TAPE | 1 PER MPD | O  | GC |
| 3   | STAINLESS STEEL TRIM ANGLES 5" X 3 1/2" X 1/4"                             | 4 PER MPD | BM | GC |
| 4   | 4 X 4 X 1/2" SPREADER BRACKET  | 8/MPD     | O  | GC |
| 5   | 1/4 X 2 X 25" SHROUD BRACKET   | 2/MPD     | O  | GC |
| 6   | 4 X 4 X 2" LONG SLOTTED ANGLE  | 2/MPD     | O  | GC |
| 7   | SHROUD STIFFENERS  | 4/MPD     | O  | GC |

**NOTES**

- FOR GILBARCO MPD, USE SPREADERBOX:  
"A" (63") FROM 13'-6" UP TO 14'-0"  
"B" (69") FROM 14'-0" UP TO 14'-6"  
"C" (75") FROM 14'-6" UP TO 15'-0"  
"D" (81") ABOVE 15'-0"
- FOR WAYNE MPD, USE SPREADER BOX:  
"A" (63") FROM 13'-6" UP TO 13'-11"  
"B" (69") FROM 13'-11" UP TO 14'-5"  
"C" (75") FROM 14'-5" UP TO 14'-11"  
"D" (81") ABOVE 14'-11"
- USE 2" SPACER FOR GILBARCO MPD.  
USE 1" SPACER FOR WAYNE MPD.



**BP AMERICA**  
RETAIL MARKETING  
DESIGN AND ENGINEERING  
200 PUBLIC SQUARE  
CLEVELAND, OHIO 44114

**MONOCOLUMN  
DETAILS**

DWG. NO.: 11-IL-IV      REV.: Q

SCALE: SCALE AS SHOWN      MADE BY: R.W.N.

DATE: DATE 2/7/89      CHECKED BY: D.D.A.

| REVISIONS | DATE | OWN | CHK |
|-----------|------|-----|-----|
|           |      |     |     |
|           |      |     |     |
|           |      |     |     |

DDA 21718