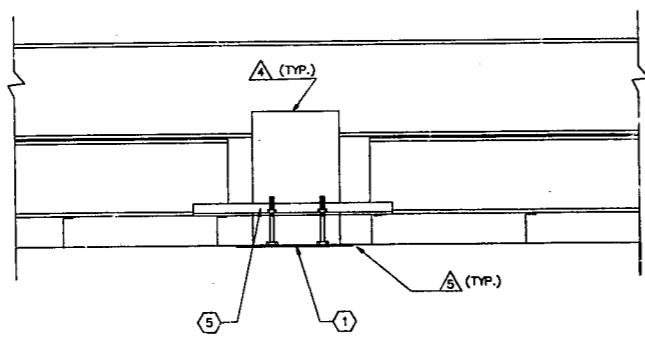
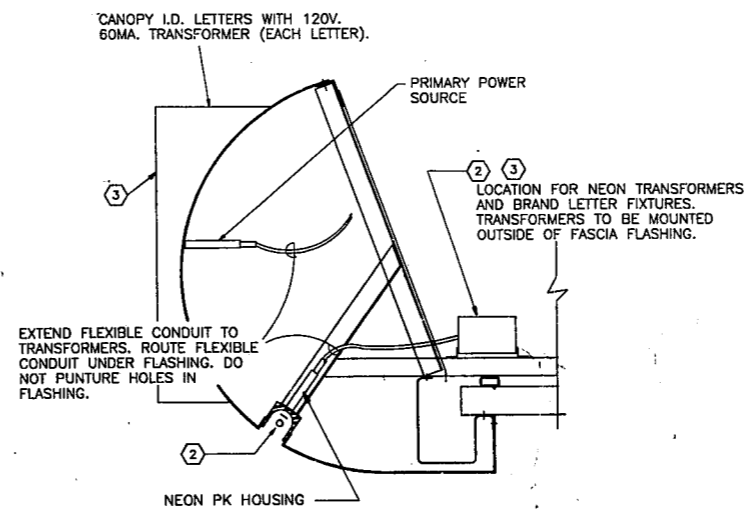


43' X 117' CANOPY ELECTRICAL PLAN



SECTION "A-A"  
LIGHT FIXTURE



SECTION "B-B"  
BULLNOSE FASCIA

① - MATERIAL SCHEDULE

NS = NEON SUPPLIER  
 BM = BUILDING MANUFACTURER  
 GC = GENERAL CONTRACTOR  
 S = SUPPLIER  
 I = INSTALLER  
 O = OWNER

NO.	DESCRIPTION	QTY.	S	I
1	12" X 21 1/2" 400W 208V SUPER METAL HALIDE DOWNLIGHT FIXTURE. LSI - RICHMOND SERIES RIC-S-400-SWH-73-120V OR EQUAL.	32	BM	SEE NOTE 4
2	FASCIA NEON TROUGH STRIP LIGHT. JEFFERSON ELECTRIC, CATALOG NO.721-431, SECONDARY 7,500V. 60MA. PRIMARY 120V. BALLAST FOR EACH TROUGH SECTION. 2 TUBES PER TROUGH SECTION.	16-12 18 TRANSFORMERS	NS	SEE NOTE 7
3	INTERNALLY ILLUMINATED BRAND LETTERS. JEFFERSON ELECTRIC CATALOG NO.721-431, SECONDARY 5 @ 6000V. 60MA. PRIMARY 120V OR EQUAL.	•	O	SEE NOTE 6
4	LAMPS FOR ALL FIXTURES		BM	GC
5	FIXTURE SUPPORT ANGLES	64	BM	BM

\* SEE PLOT PLAN FOR ACTUAL NUMBER AND LOCATION OF BRAND LETTERS.

△ NOTES

- C - # INDICATES PANEL AND CIRCUIT. SEE BUILDING ELECTRICAL DRAWINGS.
- (2) 1" CONDUITS AND (1) 5/8" CONDUIT. (1) 1" SERVING DOWNLIGHTS, (1) 1" SERVING NEON FASCIA LETTERS AND SPREADERS. 3/4" LEFT EMPTY. SEE CANOPY FOOTER DRAWING FOR TIE IN LOCATION BY G.C.
- 1/2" CONDUIT DOWN TO SPREADER LIGHT BY B.M. (TYPICAL AT EACH COLUMN).
- LIGHT FIXTURES INSTALLED BY B.M. WIRE BY G.C.
- SEALANT CAULKING FOR FIXTURES BY B.M.
- BRAND LETTERS INSTALLED ON FASCIA BY G.C. WIRING TO TRANSFORMERS. LOCATION OF TRANSFORMERS AND WIRING TO BACK ROOM ALSO BY G.C.
- SEPARATE CONTRACT COVERS THE INSTALLATION OF NEON TROUGH SYSTEM WITH PK HOUSING, TRANSFORMERS, AND TRANSFORMER WIRING. G.C. TO SUPPLY POWER FROM STATION PANEL BOX TO EACH TRANSFORMER. ONE TRANSFORMER REQUIRED PER EACH SECTION OF FASCIA. COORDINATE NEON INSTALLATION WITH CANOPY SUPPLIER SO THAT NEON IS INSTALLED PRIOR TO CANOPY FASCIA FLASHING.

BP OIL CO.  
 RETAIL MARKETING  
 DESIGN AND ENGINEERING

200 PUBLIC SQUARE  
 CLEVELAND, OHIO 44115

43 x 117' CANOPY  
 ELECTRICAL  
 PLAN

DWG. NO.: 7-43x117C8-19	REV.:		
SCALE: NO SCALE	MADE BY: G.P.D.		
DATE: 1/4/87	CHECKED BY:		
REVISIONS:	DATE	DWN	CKD
1. REV. BY: G.P.D.	DATE: 1/4/87		
2. REV. BY: G.P.D.	DATE: 1/4/87		
3. REV. BY: G.P.D.	DATE: 1/4/87		
4. REV. BY: G.P.D.	DATE: 1/4/87		

43x117C8-19