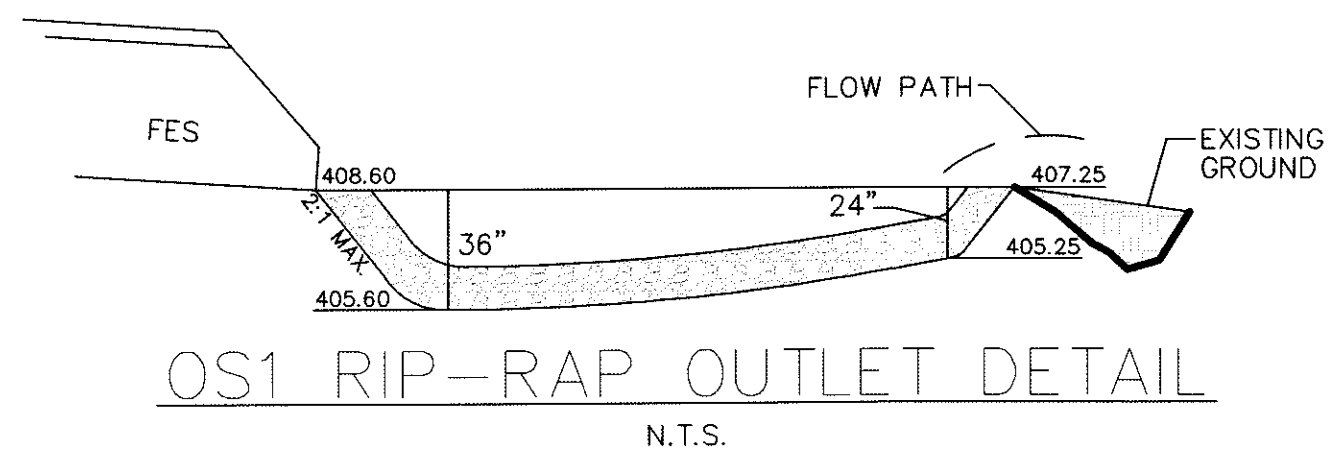


VELOCITY REDUCTION PADS								
OUTLET #	PIPE SIZE (IN.)	ROCK SIZE (IN.)	ZONE	ROCK CLASS	LENGTH L (FT.)	WIDTH W (FT.)	DEPTH (IN.)	VELOCITY V <sub>10</sub>
1	30	15	2	B	15	7.5	24	10.50
OS1	24	17	2	B	12	6	24	11.10



RETAINING WALLS WILL REQUIRE A SEPARATE PERMIT FROM THE TOWN OF CARY INSPECTIONS AND PERMITS DEPARTMENT.

RETAINING WALL TABLE		
CALLOUT	TOP	BOTTOM
A	4.32	4.32
B	4.34	4.28
C	4.34	4.27
D	4.33	4.23
E	4.31	4.22
F	4.27	4.20
G	4.21	4.21

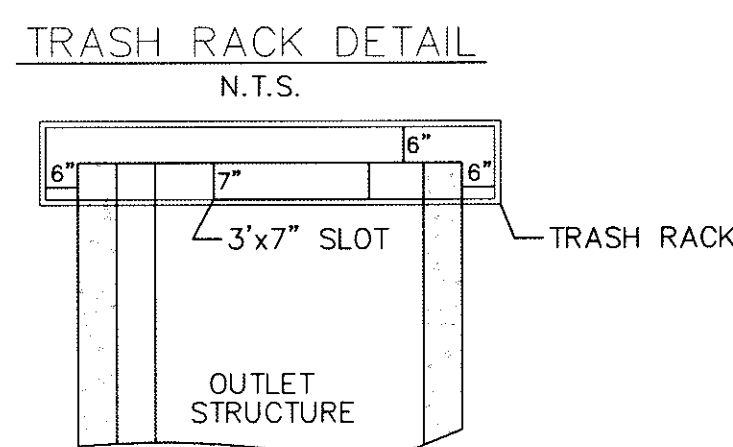
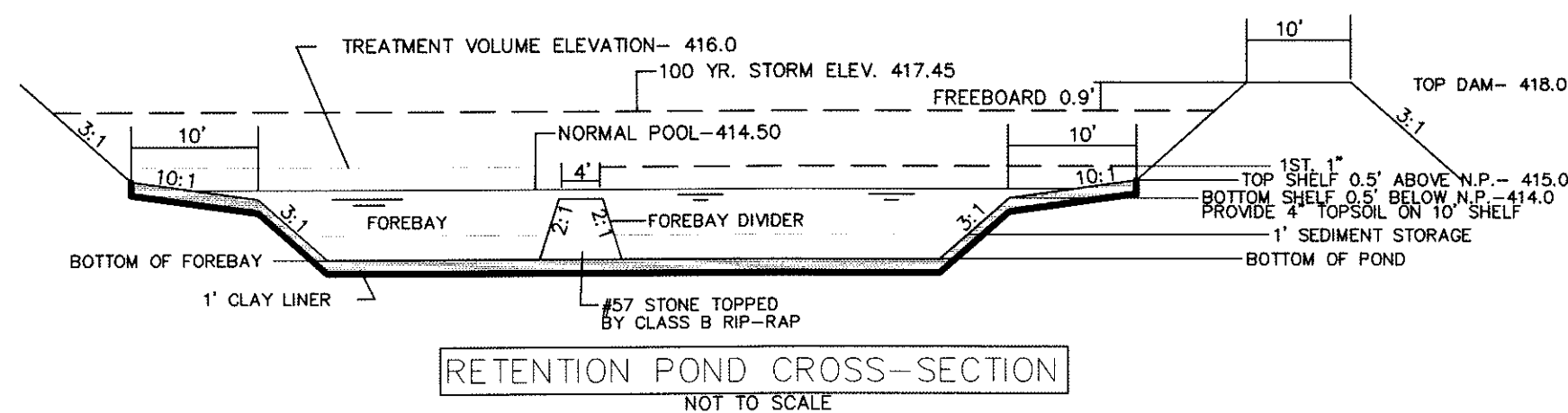
SEE CD8 FOR RETAINING WALL DETAILS

**OUTLET STRUCTURE GENERAL NOTES**

- OUTLET STRUCTURE ELEVATIONS SHOWN ON THE DETAILS ON THIS SHEET ARE CRITICAL AND MUST BE WITHIN 0.02' OF THAT SHOWN. IF OUTLET STRUCTURES ARE PRE-CAST OFF-SITE, THE HOLE FOR THE OUTLET PIPE SHALL BE ENLARGED TO ALLOW UP TO 0.3' OF VERTICAL MOVEMENT. WHEN INSTALLED, THE EXCESS OPENING SHALL BE FILLED WITH GROUT.
- THE OUTLET STRUCTURE SHALL HAVE A TRASH RACK COVERING THE OPENINGS. SUCH TRASH RACK SHALL BE 6" OUT FROM THE OPENING AND SHALL HAVE A MAXIMUM OPENING OF 6"x6". IT SHALL BE SECURELY FASTENED TO THE STRUCTURE BUT REMOVEABLE FOR MAINTENANCE.
- OUTLET PIPES SHALL HAVE AN ANTI-SEEP COLLAR OF CONCRETE LOCATED APPROXIMATELY UNDER THE MIDDLE OF THE DAM IN WHICH IT IS LOCATED. IT SHALL CONSIST OF CONCRETE POURED AROUND THE PIPE IN A VERTICAL DIRECTION. THE COLLAR SHALL BE A SQUARE 8" THICK AND SHALL EXTEND 18" BEYOND THE OUTSIDE OF THE PIPE IN EACH DIRECTION.
- TREATMENT OUTLET PIPE SHALL NOT BE PVC BUT OTHER MATERIAL SUCH AS GSP WHICH IS NOT SUBJECT TO DETERIORATION IN SUNLIGHT.

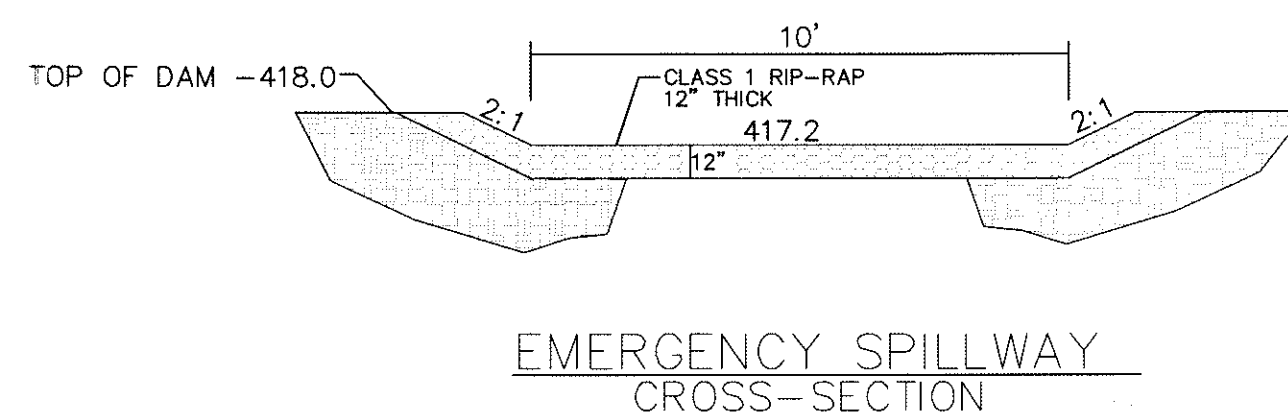
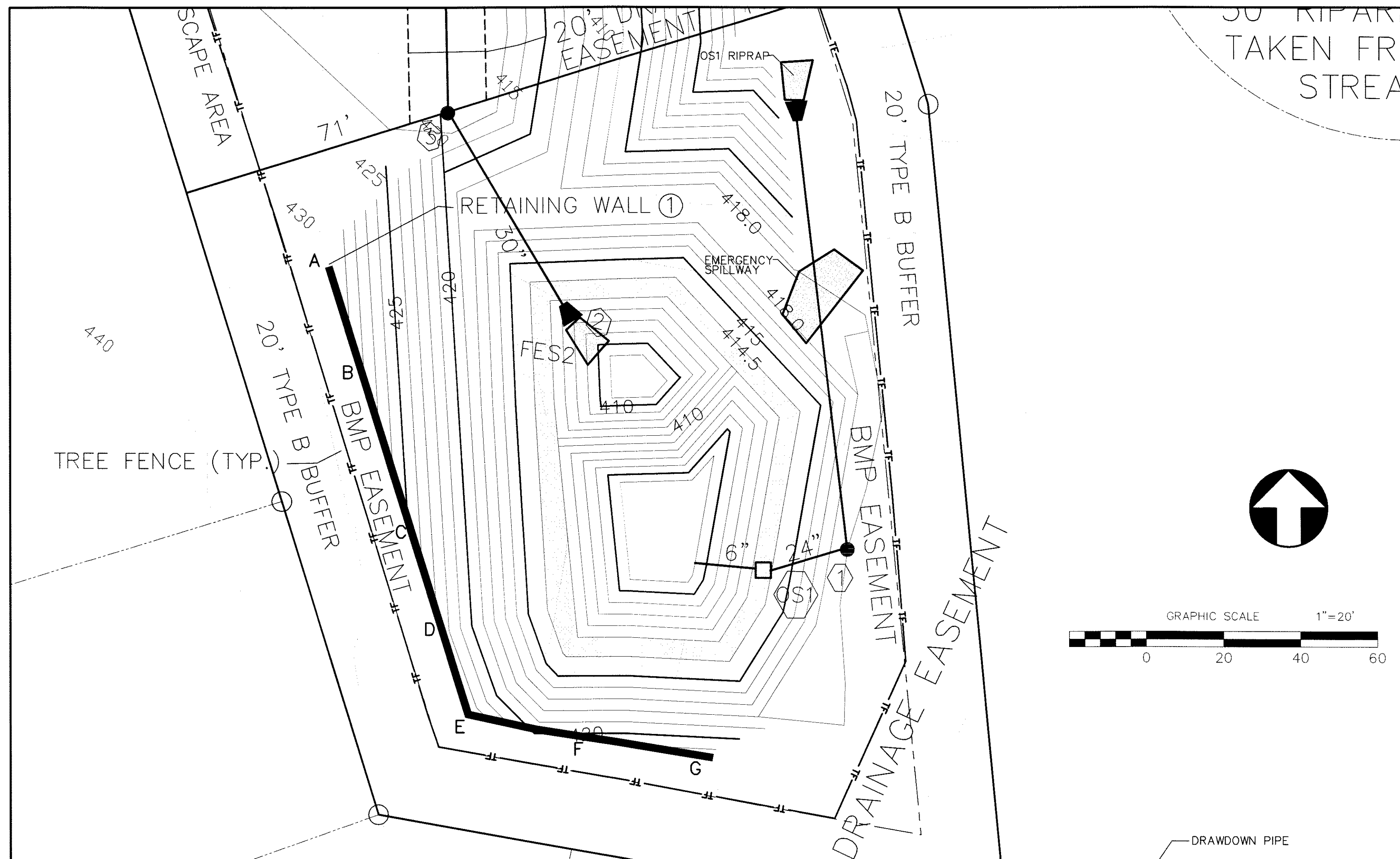
**POND NOTES**

- SEE SHEET 2 FOR BMP CONVERSION SEQUENCE.
- FOREBAY DIVIDERS ARE TO BE INSTALLED WHILE CONVERTING FROM SEDIMENT BASIN TO WET POND.
- GROUND WATER NOT ENCOUNTERED.



**TRASH RACK NOTES**

- TRASH RACK SHALL BE 6" CLEAR OF STRUCTURE TOP AND SIDES. BOTTOM SHALL BE 1" OR MORE BELOW SLOT. THE TRASH RACK NEED NOT COVER THE TREATMENT OUTLET PIPE.
- TRASH RACK SHALL BE FASTENED TO EACH SIDE OF THE STRUCTURE AT AT LEAST 2 POINTS. IT SHALL BE EASILY REMOVED FOR MAINTENANCE OR ENTRY INTO THE STRUCTURE.
- TRASH RACK SHALL ACCOMMODATE VALVE SHAFT THROUGH AN OPENING.
- TRASH RACK SHALL BE MADE OF DURABLE MATERIAL WHICH WILL NOT RUST OR DETERIORATE IN SUNLIGHT AND IS ACCEPTABLE TO THE TOWN OF HOLLY SPRINGS.
- MAX. OPENING IN TRASH RACK SHALL BE 6"x6".
- TOP OF TRASH RACK SHALL HAVE A GRID OF BARS (MAX. 6"x6").

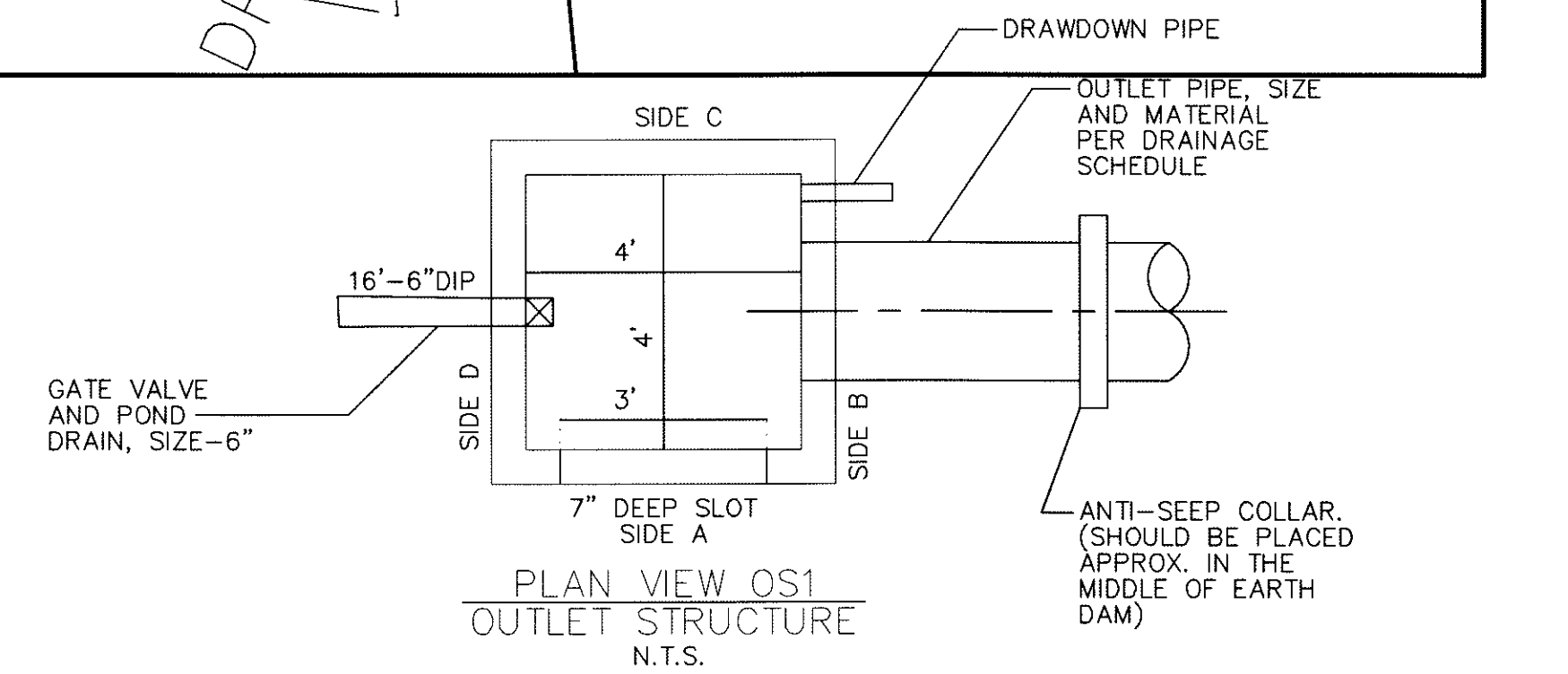


**WET POND #1**  
 BOTTOM EL- 409.0  
 NORMAL POOL- 414.5  
 TOP OF DAM- 418.0

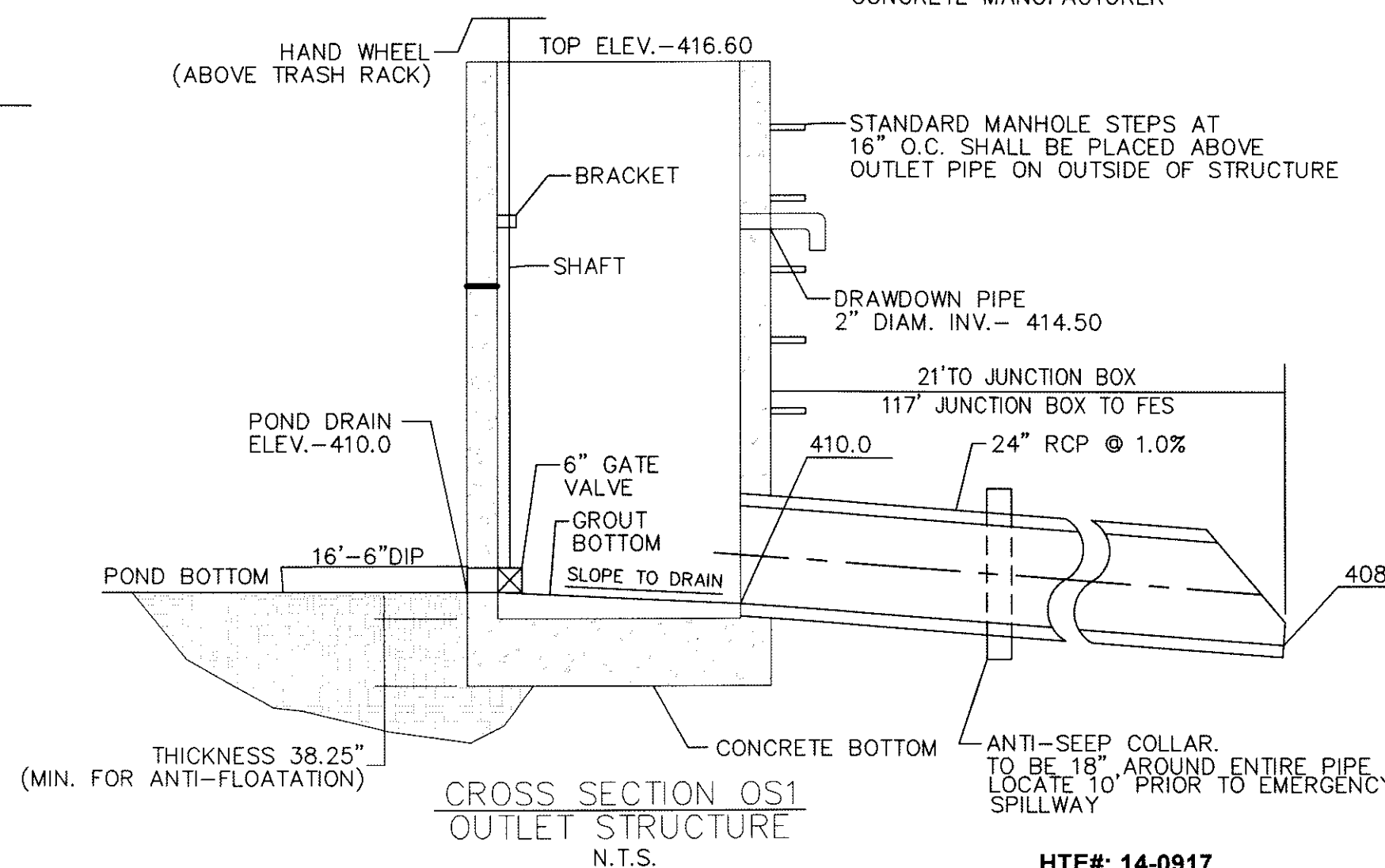
**PLANT LIST LITTORAL SHELF PLANT SCHEDULE:**

SHALLOW LAND (HERB.)			
EF	EUPATORIUM FISTRULOSUM	JOE PYE WEED	4-6" POT @ 3' SPACING
HC	HIBISCUS COCCINEA	SCARLET ROSE MALLOW	4-6" POT @ 3' SPACING
DL	DICHROMENA LATIFOLIA	WHITE STAR GRASS	4-6" POT @ 3' SPACING
HG	HIBISCUS GRANDIFLORUS	VELVET MALLOW	4-6" POT @ 3' SPACING
CG	CHELONE GLABRA	WHITE TURTLEHEAD	4-6" POT @ 3' SPACING
LC	LOBELIA CARDINALIS	CARDINAL FLOWER	4-6" POT @ 3' SPACING
SHALLOW WATER (HERB.)			
JE	JUNCUS EFFUSUS	SOFTRUSH	4-6" POT @ 3' SPACING
AS	ACORUS SPP	SWEET FLAG	4-6" POT @ 3' SPACING
IV	IRIS VERSICOLOR	BLUE FLAG IRIS	4-6" POT @ 3' SPACING
PC	PONTERDERIA CORDATA	PECKEREL WEED	4-6" POT @ 3' SPACING
PV	PELTANDRA VIRGINICA	ARROW ARUM	4-6" POT @ 3' SPACING
SL	SAGITTARIA LONGILOBA	ARROWHEAD	4-6" POT @ 3' SPACING

**LANDSCAPE PLAN:**  
 SHALLOW LAND= 1,560 sf (USE 173 PLANTS FROM LIST ABOVE)  
 SHALLOW WATER= 1,440 sf (USE 160 PLANTS FROM LIST ABOVE)  
 USE EQUAL NUMBER OF PLANTS FROM LIST ABOVE



**NOTE:**  
 WALL THICKNESS AND REINFORCEMENT DESIGN TO BE DETERMINED BY PRECAST CONCRETE MANUFACTURER

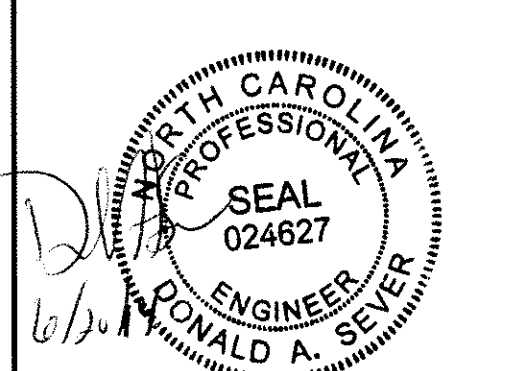


HTE#: 14-0917  
 14-SB-002  
**APPROVED BY TOWN OF CARY DEVELOPMENT REVIEW COMMITTEE**

PLANNER *KAH* DATE 7/10/2014

**Hugh J. Gilleece and Associates**  
 875 Walnut Street  
 Suite 360  
 Cary, NC 27511  
 BUSINESS LIC. # C-496  
 Phone: (919)469-1101  
 Fax: (919)460-7637

REVISION  
 1 3/27/14 TOWN OF CARY REVIEW COMMENTS FEB 24, 2014  
 2 5/9/14 TOWN OF CARY REVIEW COMMENTS MAY 2, 2014  
 3 6/20/14 FINAL SET ISSUED



**BMP DETAIL**  
 FOR  
**BAILEY PARK COURT**  
 SITUATED AT  
**CARY**  
 WAKE COUNTY, NORTH CAROLINA

JOB # 8900.10  
 DSN/CHK BY: DS  
 DWN BY: BH  
 DATE: 1/9/2014  
 HRZ SCALE: 1"=20'  
 VRT SCALE: NONE

SHEET NO.  
**C8**