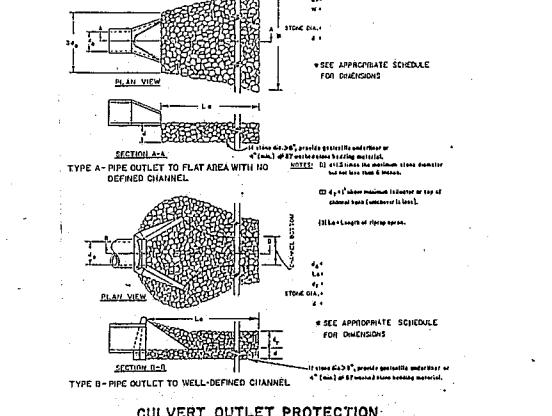
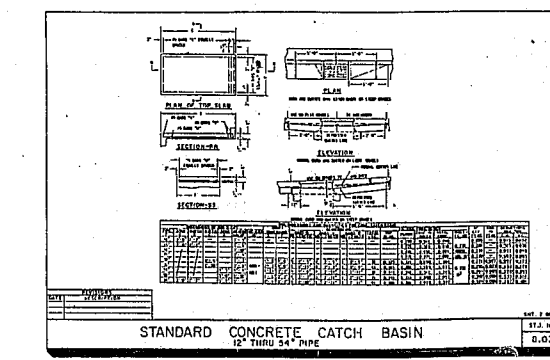
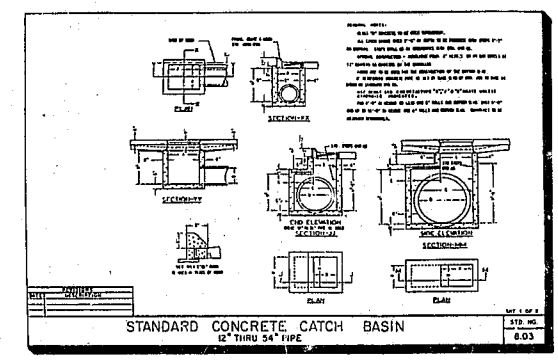


**Soil Erosion Control Schedule**

Date	Type	Planting Rate
Apr 1-30	Ball Fescue	200 lbs/acre
May 1-31	Tall Fescue	200 lbs/acre
Jun 1-30	Red Top	200 lbs/acre
Jul 1-31	Red Top	200 lbs/acre
Aug 1-31	Red Top	200 lbs/acre
Sep 1-30	Red Top	200 lbs/acre
Oct 1-31	Red Top	200 lbs/acre
Nov 1-30	Red Top	200 lbs/acre
Dec 1-31	Red Top	200 lbs/acre

Consult Conservation Engineer or Soil Conservation Service for additional information concerning other alternatives for vegetation of disturbed areas. The above vegetation rates are those which do well under local conditions other seeding rate combinations are possible.

\*\*Necessary - Paved according to option season for desired permanent vegetation. Do not allow temporary cover to cover over 12" in height before mowing, otherwise erosion may be started.



- CONSTRUCTION SEQUENCE**
1. Obtain Grading Permit.
  2. Install all erosion control measures as shown.
  3. Obtain Certificate of Compliance through City Inspection by Town Erosion Control Engineer.
  4. Proceed with grading.
  5. Clean sediment basins when half full.
  6. Seed and mulch denuded area within 30 days after finished grades are established.
  7. Maintain soil erosion control measures until permanent ground cover is established.
  8. Request final approval by Town Erosion Control Engineer.
  9. Remove soil erosion control measures and stabilize these areas.