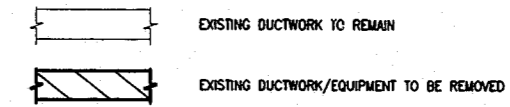


**LEGEND**



**DEMOLITION NOTES**

1. DEVELOP AND SUBMIT FOR APPROVAL A METHOD OF PROCEDURE (MOP) FOR PERFORMANCE OF WORK. NO WORK SHALL PROCEED PRIOR TO OBTAINING APPROVAL.
2. THE DEMOLITION WORK SHALL BE SCHEDULED WITH THE NEW INSTALLATION WORK AS TO MINIMIZE ANY DOWN TIME TO THE EXISTING HVAC SYSTEM WHILE THE NEW HVAC SYSTEM IS BEING INSTALLED.
3. DISPOSE OF ALL MATERIALS REMOVED.
4. DEMOLITION SHALL BE PERFORMED IN ACCORDANCE WITH THE BELLSOUTH TELECOMMUNICATIONS INC. CONSTRUCTION SPECIFICATIONS.
5. CONTRACTOR SHALL TAKE CARE TO PROTECT THE EXISTING EQUIPMENT FROM DAMAGE DURING THE DEMOLITION AND INSTALLATION OF THE NEW WORK.



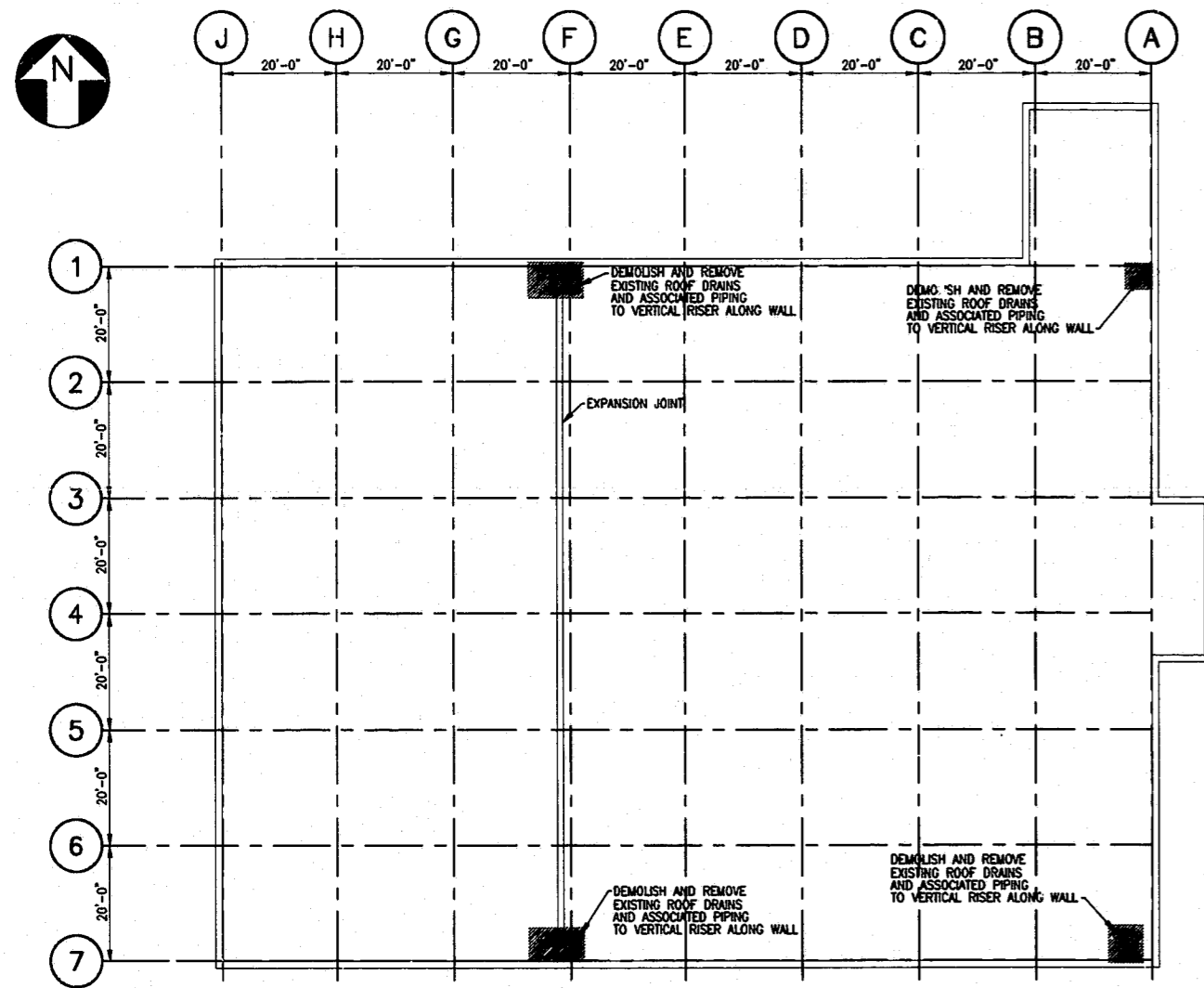
CONSULT PRJ. NO. 737132-21020  
 SEAL THIS DOCUMENT ORIGINALLY ISSUED AND SEALED BY TOM BROOKINGS P.E. NUMBER 024700 ON 2/15/01. THIS DOCUMENT SHOULD NOT BE CONSIDERED A CERTIFIED DOCUMENT.

CONSULTANT  
**PARSONS**

4701 HEDGEMORE DR  
 CHARLOTTE, NC 28209  
 704-529-6246

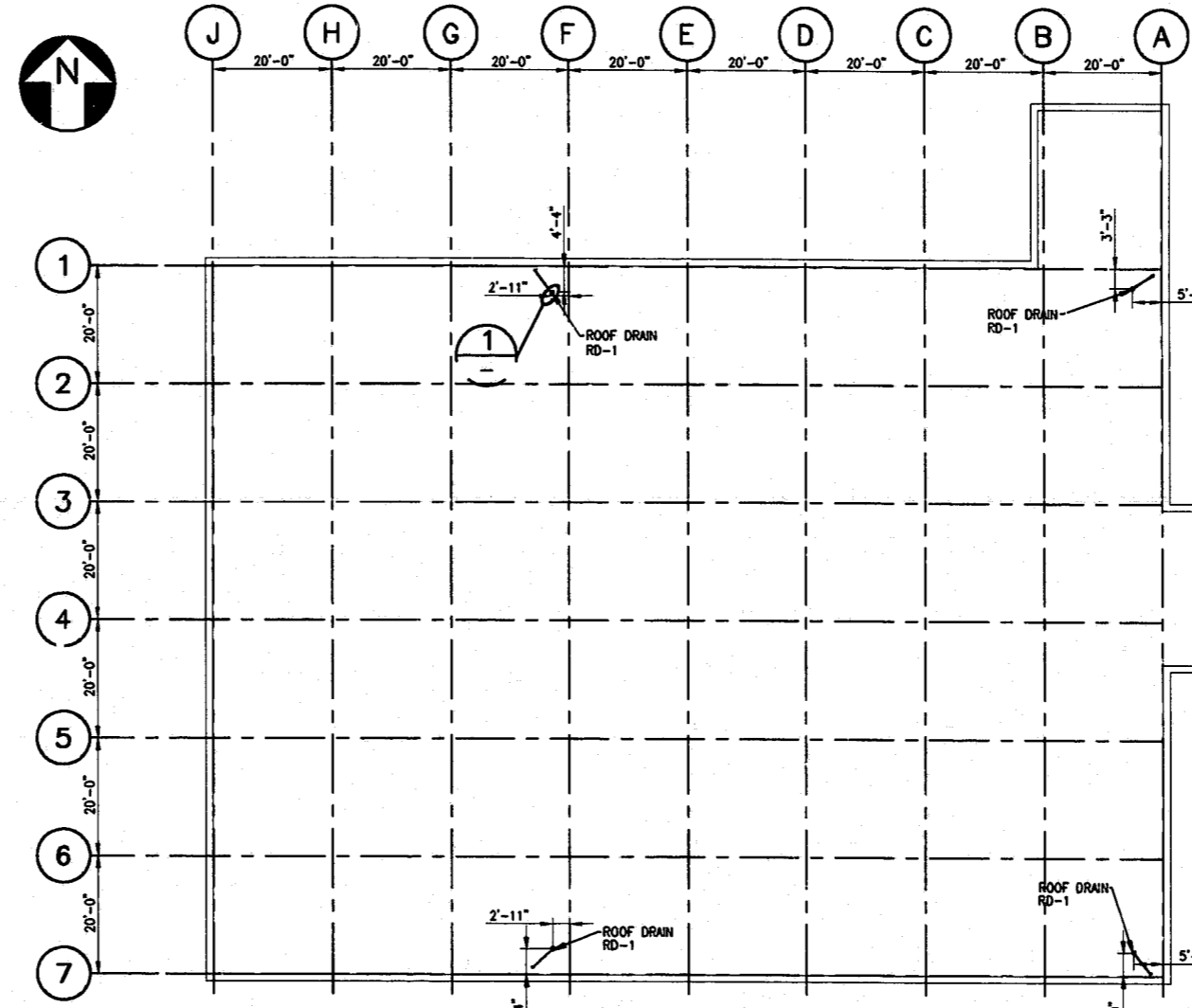
SUB-CONSULTANT

NO.	DATE	DESCRIPTION	ISSUED FOR
0	2-15-01	ISSUED FOR CONSTRUCTION	RD/TS



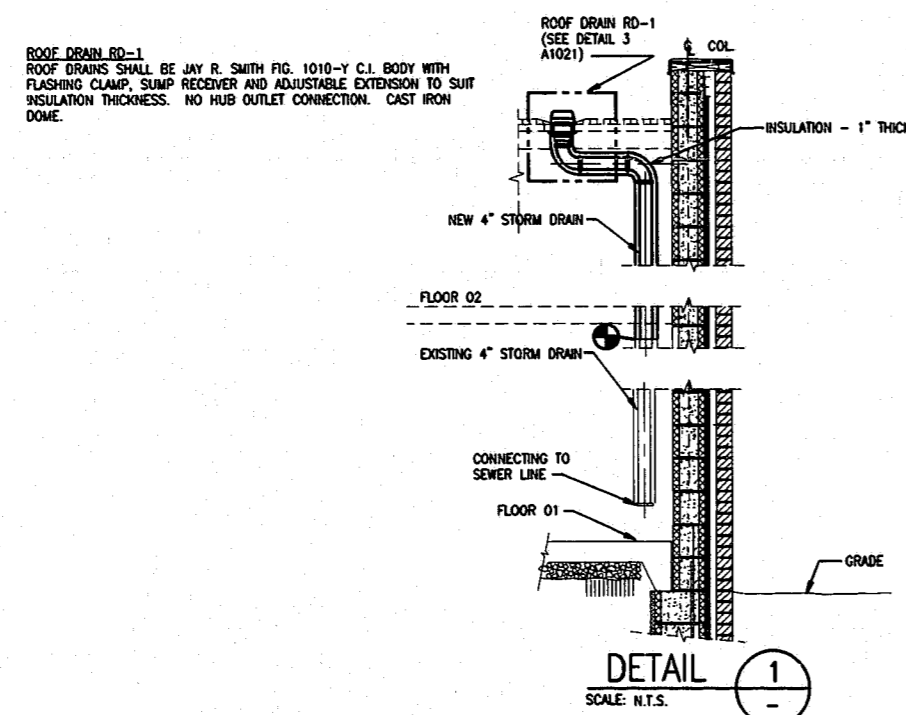
**PLAN FLOOR 02 (EXISTING)**

SCALE: 1/16"=1'-0"



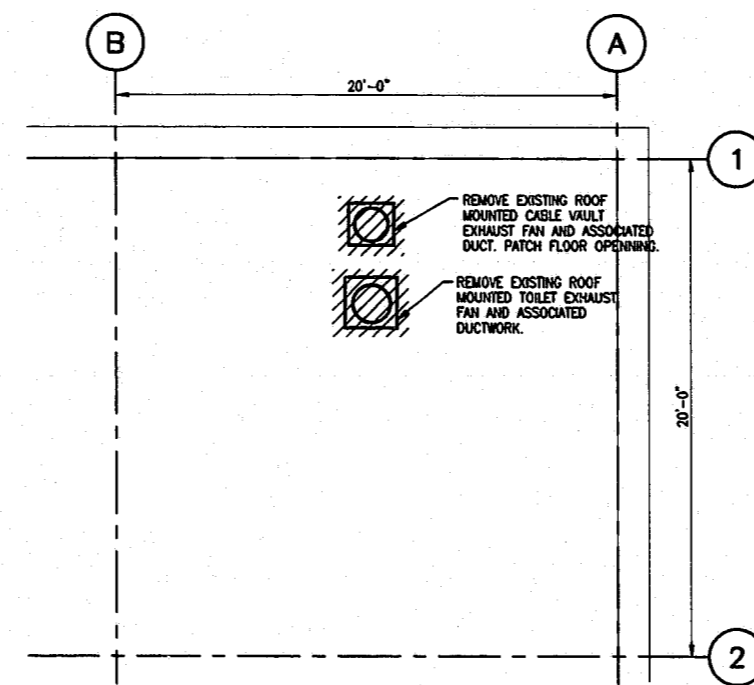
**PLAN ROOF R1 (NEW)**

SCALE: 1/16"=1'-0"



**DETAIL 1**

SCALE: N.T.S.



**PARTIAL PLAN ROOF 01**

SCALE: 1/4"=1'-0"

**FOR INFORMATION ONLY**

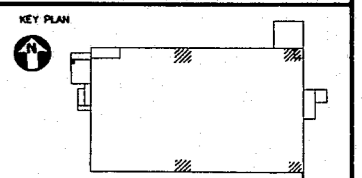
APPROVED  
 4/13/01  
 TS 6-19-01

**WARNING**  
 - ASBESTOS AND/OR POLLUTANTS -  
 - ARE HAZARDOUS TO YOUR HEALTH -

PORTIONS OF THIS PROJECT MAY CONTAIN ASBESTOS AND/OR OTHER POLLUTANTS. VERIFICATION OF EITHER CAN BE ACCOMPLISHED ONLY BY LABORATORY TESTING. DO NOT TOUCH OR STAY NEAR SUSPECTED HAZARDOUS, BUT REPORT THEIR PRESENCE TO YOUR BELLSOUTH PROJECT REPRESENTATIVE FOR TESTING AND VERIFICATION. RETURN TO WORK IN SUCH AREAS ONLY AFTER TESTING VERIFIES THAT IT IS SAFE TO DO SO.

SCALE: AS NOTED

**BUILDING ADDITION  
 CARY ACADEMY C.O.  
 401 NORTH ACADEMY STREET  
 CARY, NORTH CAROLINA 27511**



DATE: 2-15-01  
 DRAWN BY: R. CHAKRA  
 CHECKED BY: T. BORKOWSKI  
 APPROVED BY: T. BORKOWSKI

NOT FOR CONSTRUCTION   
 RELEASED FOR CONSTRUCTION   
 AS-BUILT DRAWING

DATABASE: 21211P2020

DRAWING TITLE:  
**PLUMBING  
 FLOORS 02 & R1**

OLD NO.: 21211  
 DRAWING NO.: P2020