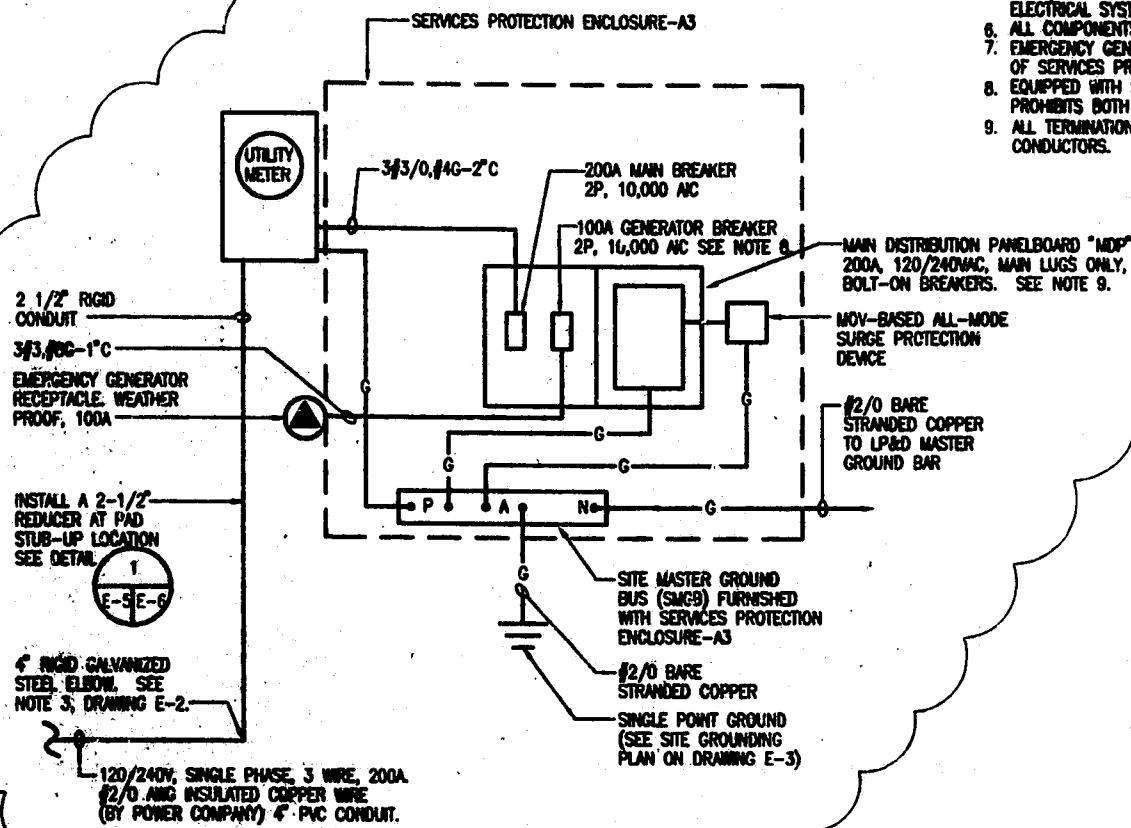


NOTES:

- METER SOCKET TO BE SUPPLIED BY QP AS PER POWER COMPANY REQUIREMENTS.
- METER TO BE LOCATED 3'-0" MINIMUM ABOVE FINISHED GRADE.
- GROUND FAULT PROTECTION REQUIRED FOR UTILITY RECEPTACLES.
- SERVICE NEUTRAL TO BE GROUND TO SMGB.
- WHITE/NEUTRAL, GREEN/GROUND SHALL BE MAINTAINED THROUGHOUT THE SITE ELECTRICAL SYSTEM.
- ALL COMPONENTS SHALL BE PREWIRED WITHIN THE SERVICES PROTECTION ENCLOSURE-A3.
- EMERGENCY GENERATOR RECEPTACLE SHALL BE PREWIRED AND MOUNTED ON EXTERIOR OF SERVICES PROTECTION ENCLOSURE-A3.
- EQUIPPED WITH SQUARE "D" WALKING BEAM MECHANICAL INTERLOCK. INTERLOCK PROHIBITS BOTH POWER SOURCES FROM BEING IN THE ON POSITION SIMULTANEOUSLY.
- ALL TERMINATIONS SHALL BE LISTED AND IDENTIFIED FOR USE WITH 75°C RATED CONDUCTORS.



**SERVICES PROTECTION ENCLOSURE-A3
INTERCONNECTION DIAGRAM**

SCALE: NTS

BELLSOUTH
Carolina PCS, L.P.

09-388-087-A

SERVICES PROTECTION ENCLOSURE

PROJECT NUMBER: 22587-02

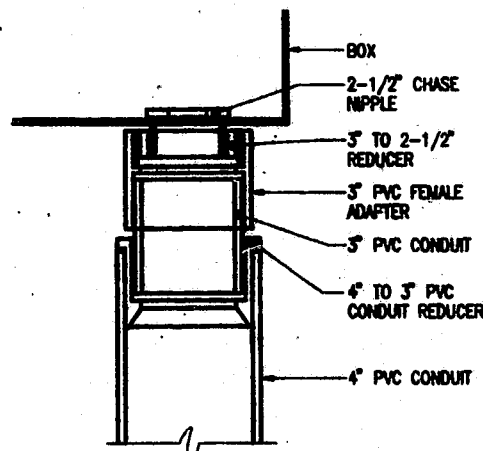
DATE: 2-19-94

SCALE: E-5

SERVICES PROTECTION ENCLOSURE-A3 MAINS 200A MLD CABINET MTG SURFACE MTG ENCLOSURE NEMA TYPE 1												
VOLTS: 120/240, PHASE: 1 Ø, WIRE: 3 W., 60 HZ., MIN. INTERRUPTING RATING: 10,000 AMPERES												
LOAD SERVED	BRANCH CIRCUIT CONDUIT & WIRING	BREAKER POLE	AMP	KVA	CKT	Ø	CKT	KVA	BREAKER AMP	POLE	BRANCH CIRCUIT CONDUIT & WIRING	LOAD SERVED
BTS CABINET	3/8, #10G-3/4" C	2	50	4.2	1	A	2*	0.2	20	1	2#12, #12G-3/4" C	RECPT-SERVICES PROTECTION ENCL-A3
				4.2	3	B	4*	0.2	20	1	2#12, #12G-3/4" C	RECPT-BTS CABINET
BTS CABINET	3/8, #10G-3/4" C	2	50	4.2	5	A	6	1.2	15	1	2#12, #12G-3/4" C	VOLTAGE SENSOR
				4.2	7	B	8	1.2	15	1	2#12, #12G-3/4" C	VOLTAGE SENSOR
SPACE					9	A	10	0.9	20	1	2#12, #12G-2" C	SITE LIGHTING
					11	B	12	0.1	15	1	2#14, #14G-3/4" C	SPE-A3 LIGHTS
TOWER OBSTRUCTION LTG CONTROLLER	2#12, #12G-3/4" C	2	20	1.88	13	A	14		20	1		SPACE
				1.88	15	B	16		20	1		
SPACE					17	A	18		20	1		
					19	B	20					SPACE
					21	A	22					
					23	B	24					
CONNECTED KVA PHASE A: 12.38			CONNECTED KVA PHASE B: 11.58			TOTAL KVA: 23.96						
REMARKS: 1. PROVIDE GFI BREAKER						2. MDP PROVIDED WITHIN SERVICE PROTECTION ENCLOSURE			TOTAL NUMBER POLES: 24			

PANELBOARD SCHEDULE

SCALE: NTS



PVC CONDUIT REDUCER - 4" TO 2 1/2"

SCALE: NTS

BELLSOUTH
Carolina PCS, L.P.

09-388-087-A

PANELBOARD SCHEDULE

PROJECT NUMBER: 22587-02

DATE: 2-19-94

SCALE: E-5