

GENERAL NOTES - STRUCTURAL STEEL

1. THAT WHICH IS REFERENCED AS BEING ON "HOLD" SHALL BE INCLUDED IN THE BID AND WORK. FABRICATION AND/OR CONSTRUCTION SHALL NOT PROCEED UNTIL THE "HOLD" REFERENCE IS REMOVED.
2. PIPE STEEL SHALL CONFORM TO THE REQUIREMENTS OF ASTM A-53, TYPE S. ALL OTHER STRUCTURAL STEEL SHALL CONFORM TO THE REQUIREMENTS OF ASTM A-36.
3. ALL DETAILING, FABRICATION, AND ERECTION OF STRUCTURAL STEEL, UNLESS OTHERWISE NOTED, SHALL CONFORM TO THE REQUIREMENTS OF THE AISC SPECIFICATIONS FOR BUILDINGS, LATEST EDITION.
4. UNLESS OTHERWISE NOTED, ALL SHOP CONNECTIONS SHALL BE MADE BY WELDING OR HIGH STRENGTH BOLTING.
5. WELDS SHALL BE MADE WITH E-70 ELECTRODES.
6. UNLESS OTHERWISE NOTED, ALL FIELD CONNECTIONS SHALL BE MADE WITH HIGH STRENGTH BOLTS (ASTM A-325). CONNECTIONS SHALL BE DESIGNED AS BEARING-TYPE WITH THREADS IN THE SHEAR PLANE.
7. CONTRACTOR SHALL FIELD VERIFY ALL DIMENSIONS OF EXISTING CONSTRUCTION WHICH AFFECTS NEW CONSTRUCTION PRIOR TO SUBMISSION OF SHOP DWGS.
8. ALL EXPOSED STEEL AND ANTENNAS SHALL BE PAINTED TO MATCH THE COLOR OF EXISTING WATER TANK.

| | | |
|---|----------|--|
| 0 | AS-BUILT | |
| 1 | PROPOSED | |
| 2 | EXISTING | |
| 3 | REMOVE | |
| 4 | REVISION | |

BELLSOUTH
Carolina PCS, L.P.

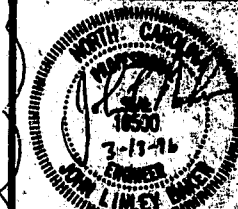
09-368-007-A

DETAILS

Copyright © 1998

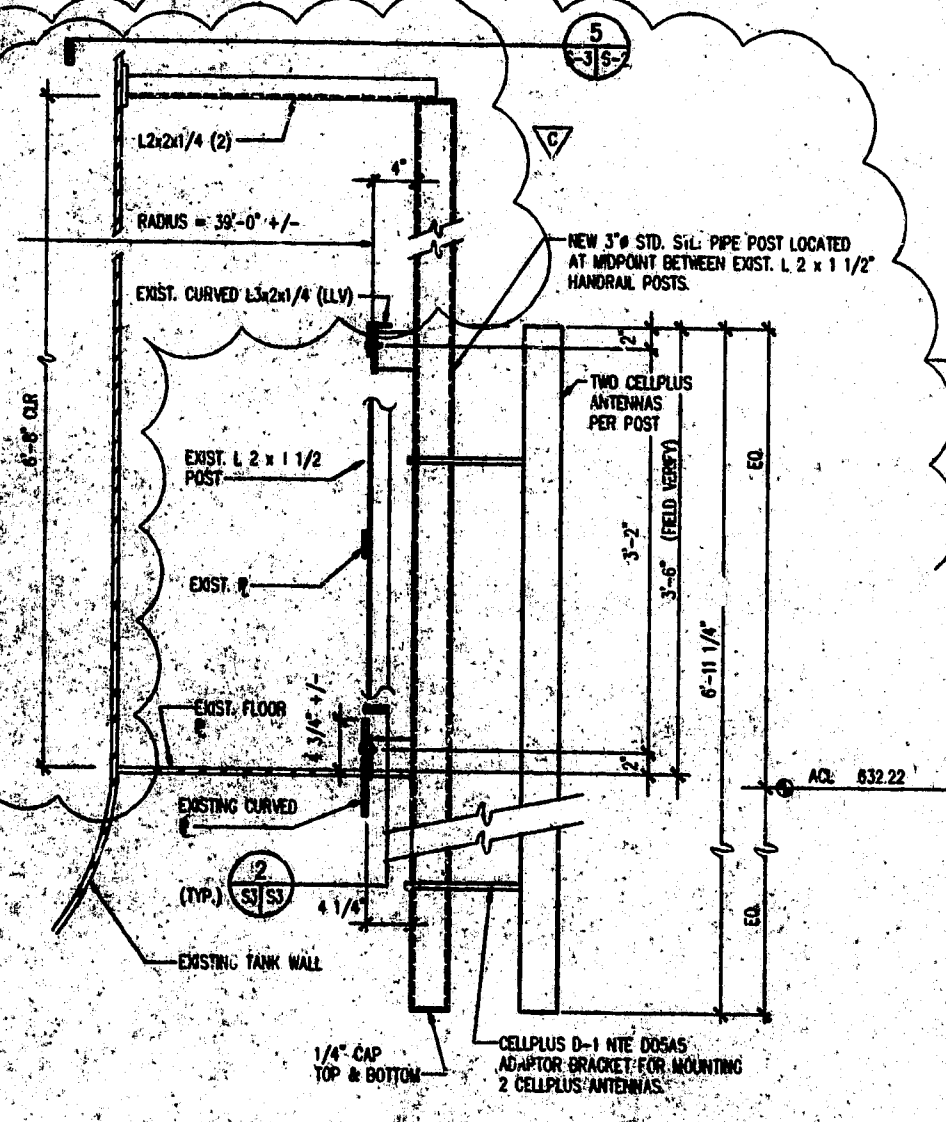
Richard L. Linley
Professional Engineer

2311 Research Blvd.
P.O. Box 600, Raleigh, NC 27602-0600
Tel: 919/782-8911 Fax: 919/782-8911



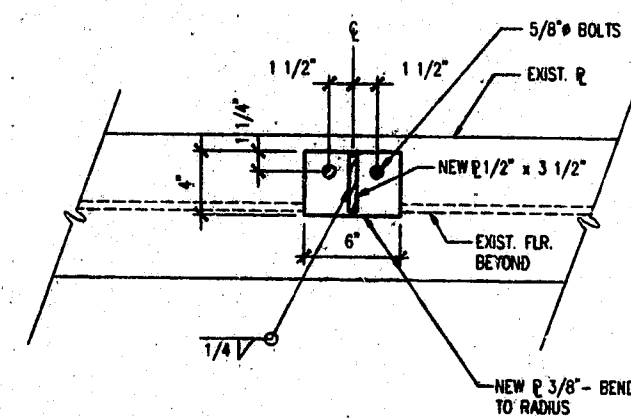
SEAL NOT VALID UNLESS SIGNED AND DATED

| | |
|-------------------------------|------------------------------|
| PROJECT MANAGER J. LATHAM | DEPARTMENT CHIEF J. BAKER |
| LEAD DESIGNER S. WERNERSON | CHECKER A. BAKER |
| DESIGNER D. GARRIGUES | DATE OCT 16, 2009 |
| PROJECT NUMBER 22597-02 | SCALE S-3 |



1
S-3 | S-3
1" = 1'-0"
DETAIL - ANTENNA MOUNTING POST

HOLD



2
S-3 | S-3
1 1/2" = 1'-0"
DETAIL - NEW POST BRACKET