

COORDINATE LIST

| POINT | NORTHING | EASTING |
|-------|-----------|------------|
| A | 746039.40 | 2056871.22 |
| B | 746029.58 | 2056883.09 |

SITE LAYOUT PLAN



NOTES:

1. SEE SHEET C-1 FOR GENERAL NOTES AND LEGEND.
2. PARKING FOR INFREQUENT VISITS BY SERVICE VEHICLE WILL BE PROVIDED WITHIN THE LIMITS OF THE ACCESS DRIVE.
3. SEE SHEET C-2 FOR BELLSOUTH LEASE AREA AND ACCESS EASEMENT.
4. LANDSCAPING LOCATION AS PER EARLIER PLANS FOR GTE MOBILNET S.E., INC. AT SAME SITE.

NOT FOR CONSTRUCTION
 09-368-107-A
 EXIST. 180' MONOPOLE TOWER
 LAT. = 35° 47' 58.7" N
 LONG. = 78° 48' 29.6" W

| NO. | DATE | REVISION DESCRIPTION | BY | CHKD. |
|-----|---------|--|----|-------|
| B | 7/19/98 | ADD LANDSCAPING | MS | MS |
| A | 6/19/98 | ISSUED FOR PERMITTING, BIDS AND OWNER'S REVIEW | MS | MS |

BELLSOUTH Carolinas PCS, L.P.

09-368-107-A

SITE LAYOUT AND GRADING PLAN

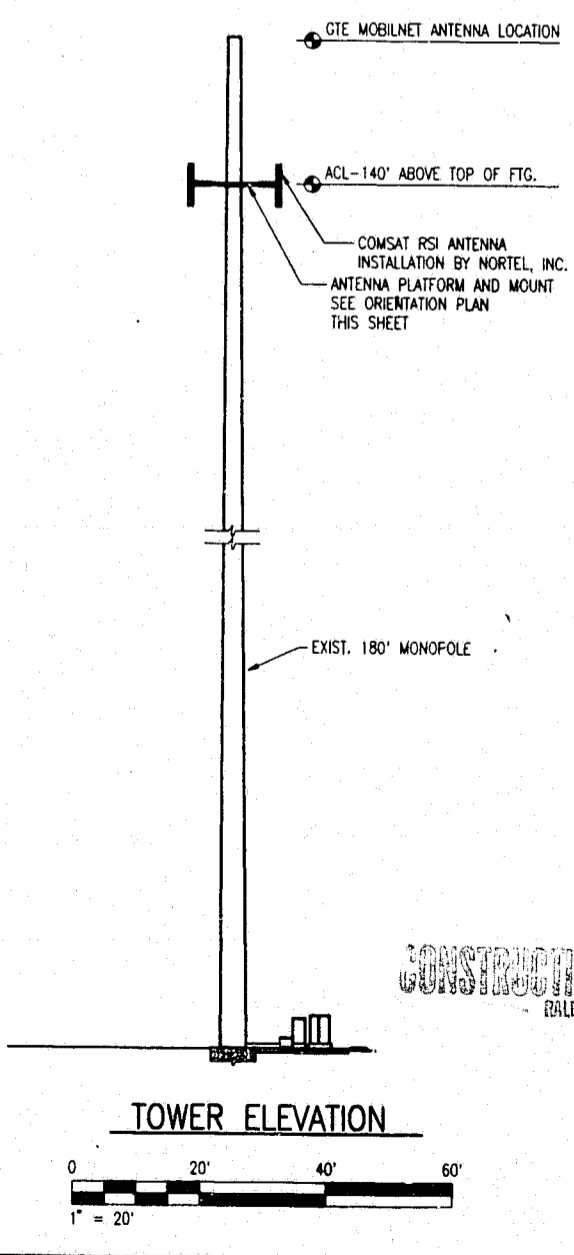
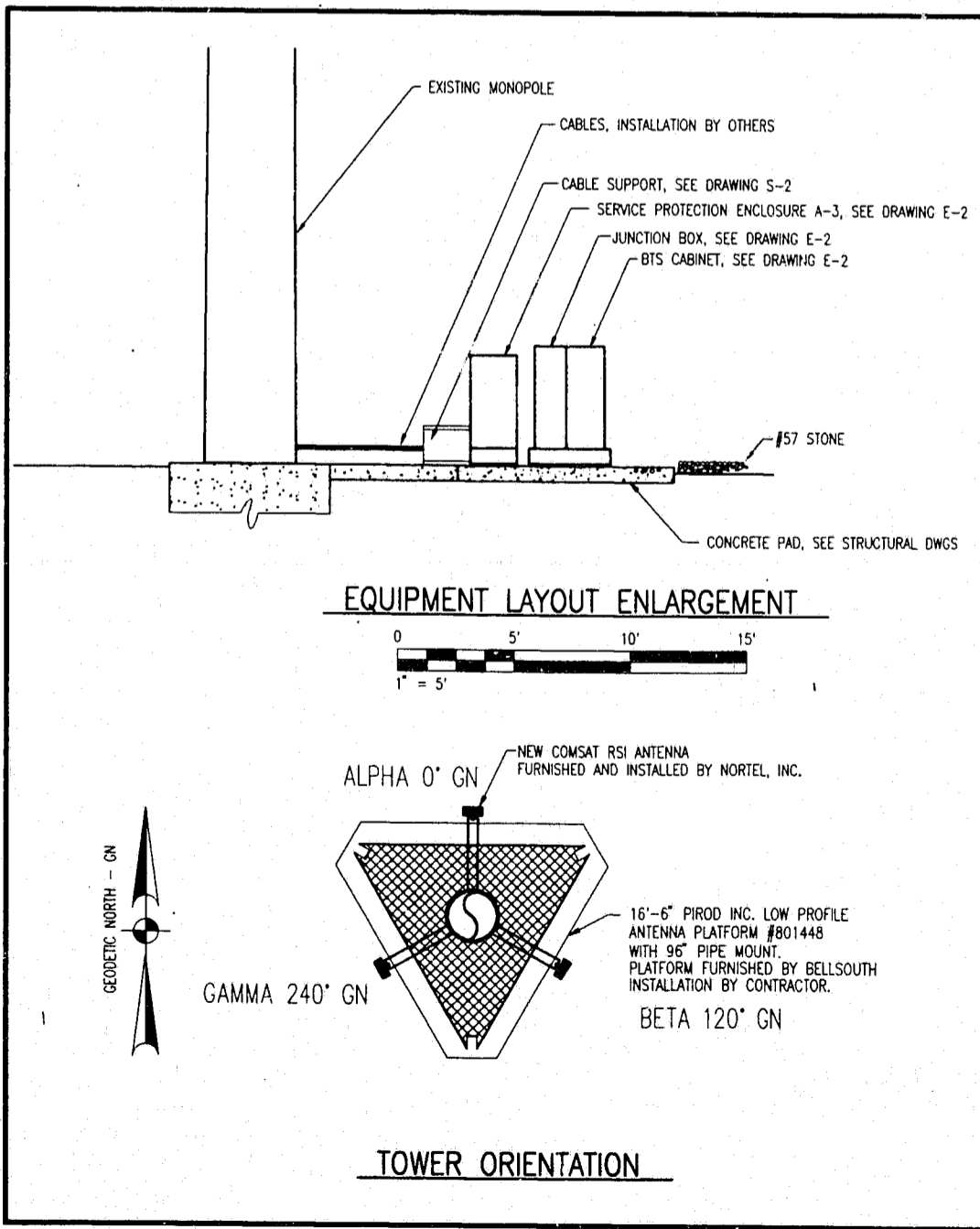
copyright © 19 98

Piedmont Oser-Hensley
 ENGINEERS/ARCHITECTS/PLANNERS
 2320 Rainsville Drive
 Post Office Box 31288, Raleigh, NC 27622-1288
 Tel. 919/782-5211 Fax 919/782-5908



SEAL NOT VALID UNLESS SIGNED AND DATED

| | |
|-----------------------------------|---------------------------------|
| PROJECT MANAGER A. GARCEAU | DEPARTMENT MANAGER J. LATHAM |
| LEAD DESIGN PROF. R. FERGUSON | CHECKED D. BROWN/A. BEDOMAN |
| DRAWN H. SIMPSON | DATE JUNE 10, 1998 |
| PROJECT NUMBER 22597-02 | DRAWING NUMBER C-3 |



| NO. | DATE | REVISION DESCRIPTION | BY | CHKD. |
|-----|---------|--|----|-------|
| A | 6/19/98 | ISSUED FOR PERMITTING, BIDS AND OWNER'S REVIEW | MS | MS |

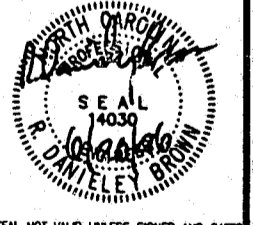
BELLSOUTH Carolinas PCS, L.P.

09-368-107-A

TOWER ELEVATIONS

copyright © 19 98

Piedmont Oser-Hensley
 ENGINEERS/ARCHITECTS/PLANNERS
 2320 Rainsville Drive
 Post Office Box 31288, Raleigh, NC 27622-1288
 Tel. 919/782-5211 Fax 919/782-5908



SEAL NOT VALID UNLESS SIGNED AND DATED

CONSTRUCTION DOCUMENTS
 RALEIGH OFFICE

| | |
|-----------------------------------|---------------------------------|
| PROJECT MANAGER A. GARCEAU | DEPARTMENT MANAGER J. LATHAM |
| LEAD DESIGN PROF. R. FERGUSON | CHECKED D. BROWN/A. BEDOMAN |
| DRAWN H. SIMPSON | DATE JUNE 10, 1998 |
| PROJECT NUMBER 22597-02 | DRAWING NUMBER C-4 |