

ANTENNA AND COAXIAL CABLE SCHEDULE							
SECTOR	AZIMUTH	ANTENNA	ANTENNA Q HEIGHT	INTERNAL TILT	DOWN TILT	COAXIAL CABLE	COAXIAL LENGTH
ALPHA	0°	COMSAT RSI PCS D 090-20-2	140'	0°	0°	ANDREW CORPORATION 1-5/8" FOAM DIELECTRIC	160'
BETA	120°	COMSAT RSI PCS D 090-20-2	140'	0°	0°	ANDREW CORPORATION 1-5/8" FOAM DIELECTRIC	160'
GAMMA	240°	COMSAT RSI PCS D 090-20-2	140'	0°	0°	ANDREW CORPORATION 1-5/8" FOAM DIELECTRIC	160'

NOTES:

1. ALL ANTENNAS TO BE FURNISHED WITH APPROPRIATE DOWNTILT BRACKETS. CONTRACTOR TO COORDINATE REQUIRED MECHANICAL DOWNTILT FOR EACH ANTENNA WITH BELLSOUTH RF ENGINEER.
2. ANTENNA CENTERLINE HEIGHT IS IN REFERENCE TO TOP OF FOOTING ELEVATION.
3. ALL COAXIAL CABLE FEED LOCATIONS WILL BE FROM THE BOTTOM OF ANTENNAS.
4. INFORMATION ON THIS SHEET IS INCLUDED FOR INFORMATION ONLY. BIDS FOR THIS SITE SHALL NOT INCLUDE ANY WORK RELATED TO ACTUAL INSTALLATION OF LINES & ANTENNAS. INSTALLATION OF LINES & ANTENNAS IS SCHEDULED TO BE PERFORMED BY OTHERS UNDER SEPARATE CONTRACT WITH BELLSOUTH.
5. ANTENNA DATA PER BELLSOUTH RF REPORT DATED 6/26/96.

B	7/10/96	CHANGED ANTENNA MODEL	BY	CS
A	6/19/96	ISSUED FOR PERMITTING, BIDS AND POWER REVIEW	BY	CS
NO.	DATE	REVISION DESCRIPTION	BY	CS

BELLSOUTH
Carolinan PCS, L.P.

09-368-107-A

ANTENNA AND
CABLE SCHEDULE

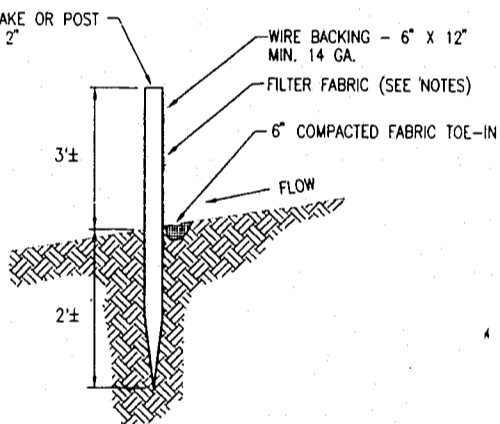
copyright © 19 96

Piedmont Oser Hensley
ENGINEERS/ARCHITECTS/PLANNERS
2301 Rainsville Drive
Post Office Box 31288, Raleigh, NC 27622-1288
Tel: 919/792-5211 Fax: 919/792-5225



SEAL NOT VALID UNLESS SIGNED AND DATED

PROJECT MANAGER A. GARDEAU	DEPARTMENT MANAGER J. LATHAN
LEAD DESIGN PROF. R. FERGUSON	CHECKED D. BROWN/A. BECKMAN
DRAWN H. SIMPSON	DATE JUNE 10, 1996
PROJECT NUMBER 22597-02	DRAWING NUMBER C-4.1



NOTES:

1. FILTER FABRIC - MIRAFI 100X, STABILENKA T-80, SUPAC 4 1/2 NP, OR APPROVED EQUAL.
2. MAXIMUM POST SPACING = 10'.
3. SECURELY FASTEN WIRE & FABRIC TO STAKES WITH WIRE TIES OR STAPLES.

SILT FENCE DETAIL
SCALE: NONE

A	6/19/96	ISSUED FOR PERMITTING, BIDS AND POWER REVIEW	BY	CS
NO.	DATE	REVISION DESCRIPTION	BY	CS

BELLSOUTH
Carolinan PCS, L.P.

09-368-107-A

SITE
DETAILS

copyright © 19 96

Piedmont Oser Hensley
ENGINEERS/ARCHITECTS/PLANNERS
2301 Rainsville Drive
Post Office Box 31288, Raleigh, NC 27622-1288
Tel: 919/792-5211 Fax: 919/792-5225



SEAL NOT VALID UNLESS SIGNED AND DATED

CONSTRUCTION DOCUMENTS
RALEIGH OFFICE

PROJECT MANAGER A. GARDEAU	DEPARTMENT MANAGER J. LATHAN
LEAD DESIGN PROF. R. FERGUSON	CHECKED D. BROWN/A. BECKMAN
DRAWN H. SIMPSON	DATE JUNE 10, 1996
PROJECT NUMBER 22597-02	DRAWING NUMBER C-5