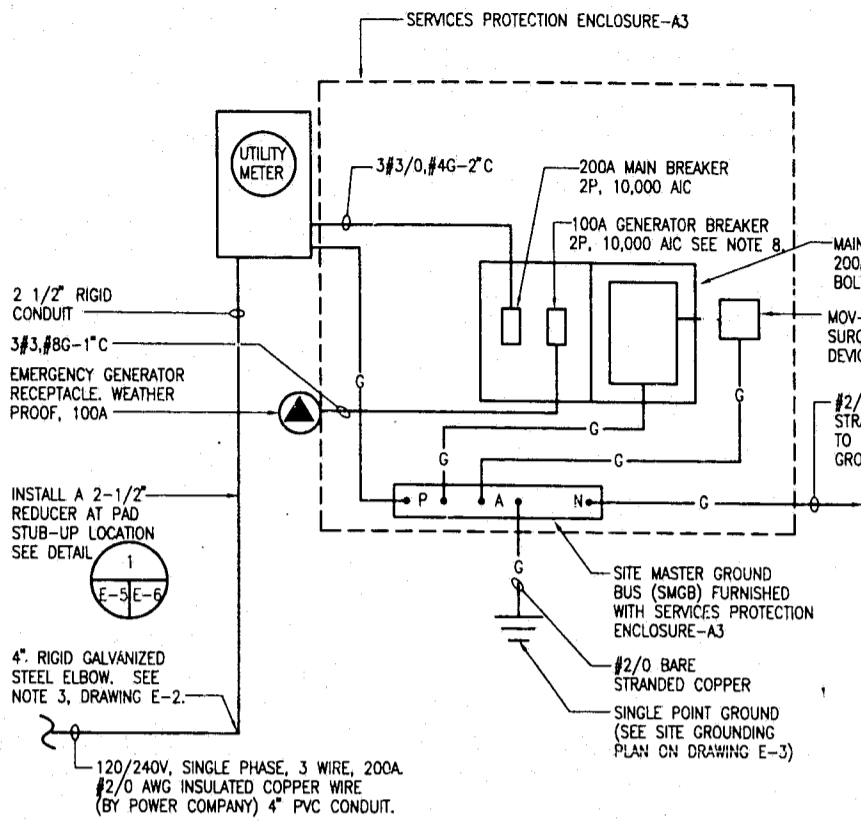


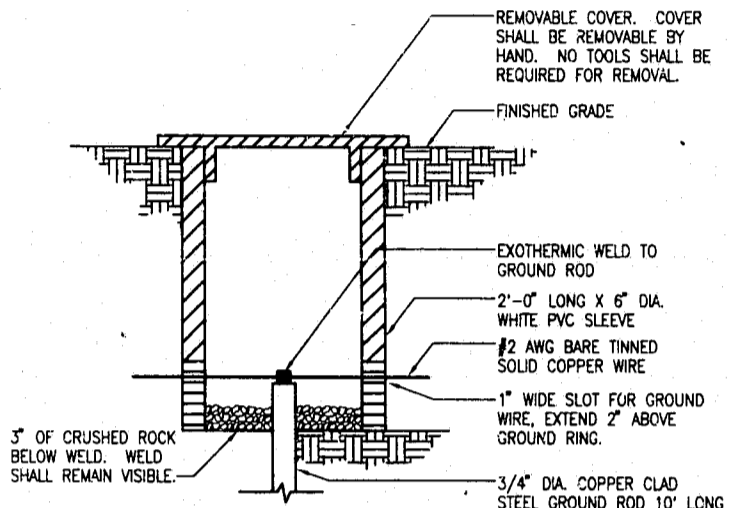
NOTES:

- METER SOCKET TO BE SUPPLIED BY OR AS PER POWER COMPANY REQUIREMENTS.
- METER TO BE LOCATED 3'-0" MINIMUM ABOVE FINISHED GRADE.
- GROUND FAULT PROTECTION REQUIRED FOR UTILITY RECEPTACLES.
- SERVICE NEUTRAL TO BE GROUNDED TO SMGB.
- WHITE/NEUTRAL GREEN/GROUND SHALL BE MAINTAINED THROUGHOUT THE SITE ELECTRICAL SYSTEM.
- ALL COMPONENTS SHALL BE PREWIRED WITHIN THE SERVICES PROTECTION ENCLOSURE-A3.
- EMERGENCY GENERATOR RECEPTACLE SHALL BE PREWIRED AND MOUNTED ON EXTERIOR OF SERVICES PROTECTION ENCLOSURE-A3.
- EQUIPPED WITH SQUARE "D" WALKING BEAM MECHANICAL INTERLOCK. INTERLOCK PROHIBITS BOTH POWER SOURCES FROM BEING IN THE ON POSITION SIMULTANEOUSLY.
- ALL TERMINATIONS SHALL BE LISTED AND IDENTIFIED FOR USE WITH 75°C RATED CONDUCTORS.



**SERVICES PROTECTION ENCLOSURE-A3
INTERCONNECTION DIAGRAM**

SCALE: NTS



NOTE: SINGLE POINT GROUND ROD ONLY.

GROUND ROD TEST WELL

SCALE: NTS

**BELLSOUTH
Carolinas PCS, L.P.**

09-368-107-A

SERVICES PROTECTION
ENCLOSURE-A3

copyright © 19 98

PiedmontOverHershey
ENGINEERS/ARCHITECTS/PLANNERS

2301 Ramrods Drive
Fost Office Box 31388, Raleigh, NC 27622-1388
Tel: 919/782-3011 Fax: 919/782-5903

ARTHUR L. ANCHORS
PROFESSIONAL ENGINEER
15061
6-20-98

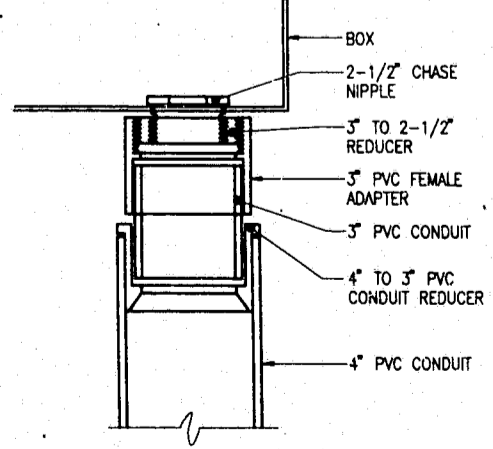
SEAL NOT VALID UNLESS SIGNED AND DATED

PROJECT MANAGER J. LATHAN	DEPARTMENT MANAGER A. ANCHORS
LEAD DESIGN PROF. R. WHITT	CHECKED A. ANCHORS
DRAWN C. SANDERLIN	DATE 8/10/98
PROJECT NUMBER 22597-02	DRAWING NUMBER E-5

SERVICES PROTECTION ENCLOSURE-A3 MAINS 200A MLO CABINET MTG SURFACE MTG ENCLOSURE NEMA TYPE 1												
VOLTS: 120/240, PHASE: 1 Ø, WIRE: 3 W., 60 HZ., MIN. INTERRUPTING RATING: 10,000 AMPERES												
LOAD SERVED	BRANCH CIRCUIT CONDUIT & WIRING	BREAKER POLE	AMP	KVA	CKT	Ø	CKT	KVA	BREAKER AMP	POLE	BRANCH CIRCUIT CONDUIT & WIRING	LOAD SERVED
BTS CABINET	3#8, #10G-3/4"C	2	50	4.2	1	A	2*	0.2	20	1	2#12, #12G-3/4"C	RECPT-SERVICE PROTECTION ENCL-A3
				4.2	3	B	4*	0.2	20	1	2#12, #12G-3/4"C	RECPT-BTS CABINET
BTS CABINET	3#8, #10G-3/4"C	2	50	4.2	5	A	6	1.2	15	1	2#12, #12G-3/4"C	VOLTAGE SENSOR
				4.2	7	B	8	1.2	15	1	2#12, #12G-3/4"C	VOLTAGE SENSOR
TOWER OBSTRUCTION LTG CONTROLLER	2#12, #12G-3/4"C	2	20	1.68	9	A	10	0.9	20	1	2#12, #12G-2"C	SITE LIGHTING
				1.68	11	B	12	0.1	15	1	2#14, #14G-3/4"C	SPE-A3 LIGHTS
					13	A	14					
					15	B	16					
					17	A	18					
					19	B	20					
					21	A	22					
					23	B	24					
CONNECTED KVA PHASE A: 12.38		CONNECTED KVA PHASE B: 11.58		TOTAL KVA: 23.96								
REMARKS: 1. * PROVIDE GFI BREAKER 2. MDP PROVIDED WITHIN SERVICE PROTECTION ENCLOSURE TOTAL NUMBER POLES: 12												

PANELBOARD SCHEDULE

SCALE: NTS



PVC CONDUIT REDUCER - 4" TO 2 1/2"

SCALE: NTS

**BELLSOUTH
Carolinas PCS, L.P.**

09-368-107-A

PANELBOARD
SCHEDULE

copyright © 19 98

PiedmontOverHershey
ENGINEERS/ARCHITECTS/PLANNERS

2301 Ramrods Drive
Fost Office Box 31388, Raleigh, NC 27622-1388
Tel: 919/782-3011 Fax: 919/782-5903

ARTHUR L. ANCHORS
PROFESSIONAL ENGINEER
15061
6-20-98

SEAL NOT VALID UNLESS SIGNED AND DATED

CONSTRUCTION DOCUMENTS
OFFICE

PROJECT MANAGER J. LATHAN	DEPARTMENT MANAGER A. ANCHORS
LEAD DESIGN PROF. R. WHITT	CHECKED A. ANCHORS
DRAWN C. SANDERLIN	DATE 8/10/98
PROJECT NUMBER 22597-02	DRAWING NUMBER E-6