

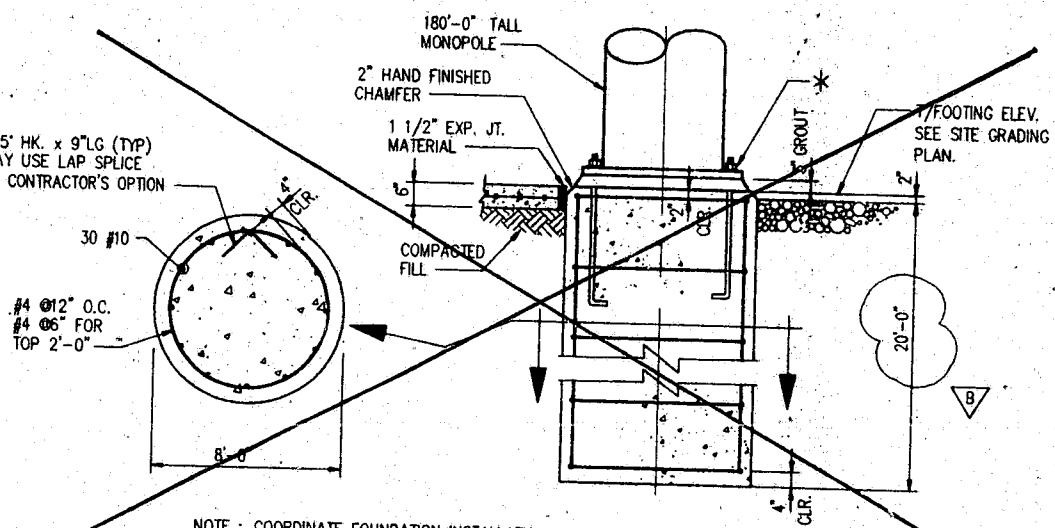
GENERAL NOTES

- THIS FOUNDATION HAS BEEN DESIGNED FOR THE 180'-0" MONOPOLE TOWER CONTROLLING BASE REACTIONS (WORKING LOADS) AS FURNISHED BY ENGINEERED ENDEAVORS INC., MENTOR, OH. ORDER NO. 1152:
DOWN = 37 KIPS
HORIZONTAL = 28.6 KIPS
MOMENT = 3291.8 FT KIPS
WIND SPEED = 80 MPH
- FOUNDATION HAS BEEN DESIGNED BASED ON DATA TAKEN FROM A SUBSURFACE EXPLORATION REPORT PREPARED BY LAW ENGINEERING, INC. CHARLOTTE, N.C. DATED AUGUST 7, 1996.
- CONTACT THE ENGINEER CONCERNING ANY CHANGES IN THE INSTALLATION DUE TO ANY DIFFERENCE OF THE ON SITE CONDITIONS.

GENERAL NOTES - CONCRETE

- UNLESS OTHERWISE NOTED, ALL CONCRETE SHALL DEVELOP A MINIMUM COMPRESSIVE STRENGTH OF 3000 PSI (2500 PSI BEFORE TOWER ERECTION) IN 3 DAYS FOR FOUNDATIONS AND 3500 PSI IN 28 DAYS FOR FLOOR SLABS AND CONDUIT ENCASEMENTS.
- UNLESS OTHERWISE NOTED, ALL REINFORCING STEEL SHALL BE NEW BILLET STEEL, CONFORMING TO ASTM A-615, GRADE 60, DEFORMED.
- UNLESS OTHERWISE NOTED, ALL DETAILING, FABRICATION AND PLACING OF REINFORCING STEEL SHALL CONFORM TO THE MANUAL OF STANDARD PRACTICE FOR DETAILING REINFORCED CONCRETE STRUCTURES. (ACI 315).
- UNLESS OTHERWISE NOTED, REINFORCE ALL CONCRETE SLABS ON GRADE WITH 6 X 6-W2.9 X W2.9 WELDED WIRE FABRIC CONFORMING TO ASTM SPECIFICATION A-185.
- WIRE FABRIC REINFORCING SHALL LAP TWO FULL MESHES AND BE SECURELY WIRED AT EACH SIDE AND END.
- ALL BAR SPLICES SHALL BE CLASS "B" TENSION SPLICES, UNLESS OTHERWISE SHOWN.
- CHAMFER ALL EXPOSED EXTERNAL CORNERS OF CONCRETE WITH 3/4" X 45 DEGREES CHAMFER, UNLESS OTHERWISE NOTED.
- ALL EXCAVATIONS ARE TO BE INSPECTED BY SOILS ENGINEER PRIOR TO PLACEMENT OF STEEL CAGE OR POURING CONCRETE TO ENSURE NO LARGE AMOUNTS OF LOOSE DIRT OR FOREIGN MATERIAL REMAINS.
- PROVIDE TWO (2) #4 DIAGONAL BARS IN TOP FACE OF SLAB ON GRADE AT ALL RE-ENTRANT CORNERS. EXTEND THESE BARS 18" PAST THE CORNERS.
- CONTRACTOR SHALL REFER TO DRAWINGS OF OTHER TRADES AND VENDOR DRAWINGS FOR EMBEDDED ITEMS AND RECESSES NOT SHOWN ON THE STRUCTURAL DRAWINGS.
- CONTRACTOR SHALL VERIFY ALL SIZES AND LOCATIONS OF ALL ELECTRICAL OPENINGS AND EQUIPMENT PADS WITH THE ELECTRICAL EQUIPMENT DETAILS AND SHOP DRAWINGS. IT SHALL BE THE RESPONSIBILITY OF THE CONTRACTOR TO PROVIDE ALL OPENINGS AND SLEEVES FOR PROPER DISTRIBUTION FOR ALL UTILITIES.
- CONTRACTOR TO USE CASING FOR DRILLED PIER WHEN REQUIRED. CASING TO BE REMOVED AS CONCRETE IS POURED. CONTRACTOR SHALL PROVIDE A SAFE MEANS OF INSPECTION IF REQUIRED BY THE GEOTECHNICAL ENGINEER. PIER HOLE INSPECTIONS TO BE PER OSHA SAFETY REGULATIONS.
- ALL REINFORCING STEEL SHALL BE TIED AND PLACED INTO A CAGE PRIOR TO SETTING INTO POSITION IN EXCAVATED PIER HOLE. SPACING DEVICES SHALL BE USED TO MAINTAIN THE SIDE CLEARANCE BETWEEN THE STEEL CAGES AND THE PIER WALL.
- ALL ANCHOR BOLTS SHALL BE FURNISHED BY THE TOWER MANUFACTURER. ANCHOR BOLTS SHALL BE SET WITH TEMPLATES FURNISHED BY THE TOWER MANUFACTURER. TEMPLATE MUST BE SECURELY DOUBLE-NUTTED TO ANCHOR BOLTS DURING CONCRETE INSTALLATION AND MUST BE LEVEL +/- 1/2". INSTALL TEMPLATE WITH SUFFICIENT SPACE BENEATH TO PERMIT FINISHING OF CONCRETE AND TO FACILITATE TEMPLATE REMOVAL PRIOR TO TOWER ERECTION.
- CONCRETE SHALL BE PLACED INTO EXCAVATION WITHIN 6 HRS. OF EXCAVATING WITH USE OF A CHUTE OR HOPPER DEVICE TO DIRECT THE CONCRETE TO FALL WITHIN THE CENTER OF THE STEEL CAGE. CONCRETE SLUMP SHALL COMPLY WITH SPECS. CONCRETE SHALL NOT BE ALLOWED TO HIT THE STEEL CAGE WHICH WOULD CAUSE SEGREGATION OF THE MATERIAL.

1 FOUNDATION PLAN
1/8" = 1'-0"



2 SECTION @ TOWER LEG FOUNDATION
NO SCALE
* - SEE MONOPOLE VENDOR'S DRAWINGS FOR INFO NOT SHOWN

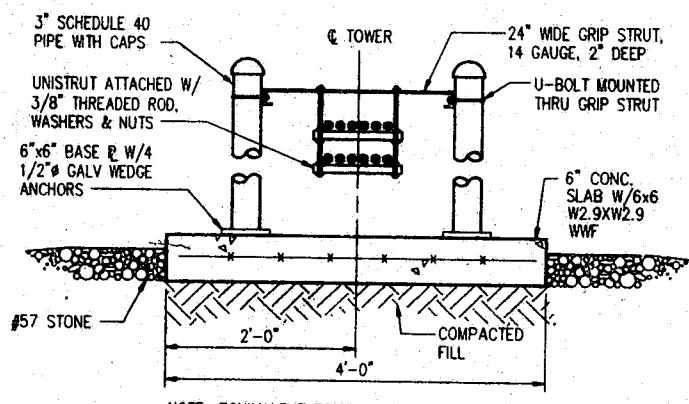
NOT IN CONTRACT

BELLSOUTH Carolinas PCS, L.P.
09-368-135-A

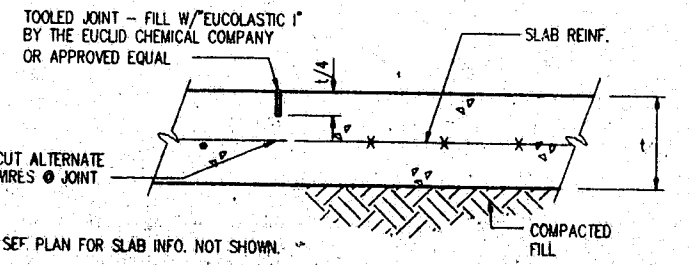
FOUNDATION PLAN, SECTIONS, AND NOTES

Professional Engineer Seal: JOHN LINLEY BAKER, No. 16500, 8-12-94

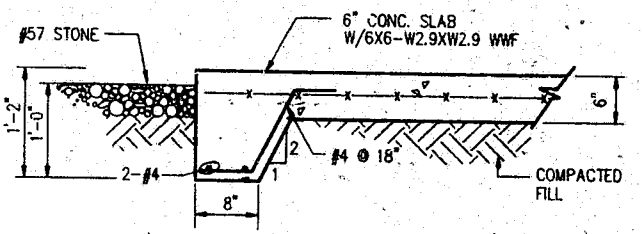
PROJECT MANAGER A. LATHAM	DEPARTMENT MANAGER J. BAKER
LEAD DESIGN PROJ. B. ROSS	CHECKED J. BAKER
DRAWN E. OLIVER	DATE JUL 6, 1998
PROJECT NUMBER 22597-02	DRAWING NUMBER -S-1



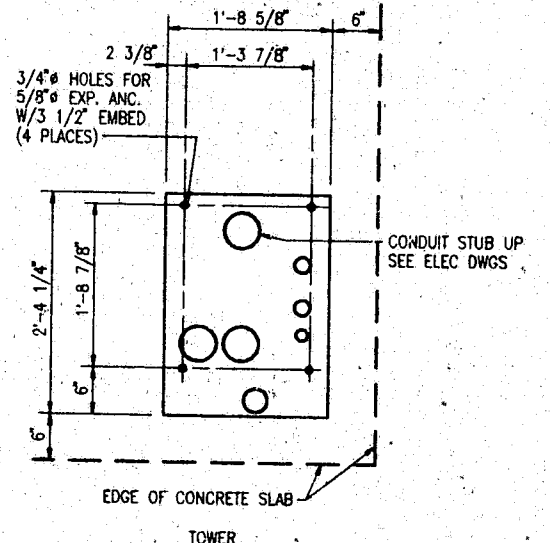
1 SECTION @ CABLE SUPPORT
3/4" = 1'-0"



3 TYP. CONTROL JOINT
NO SCALE



2 TYP SLAB EDGE DETAIL @ EQUIP CABINET
3/4" = 1'-0"



4 A2 BASE TEMPLATE DETAIL
NO SCALE

BELLSOUTH Carolinas PCS, L.P.
09-368-135-A

SECTIONS, AND DETAILS

Professional Engineer Seal: JOHN LINLEY BAKER, No. 16500, 7-25-96

APPROVED
JHT: 11-26-96

PROJECT MANAGER A. LATHAM	DEPARTMENT MANAGER J. BAKER
LEAD DESIGN PROJ. B. ROSS	CHECKED J. BAKER
DRAWN E. OLIVER	DATE JUL 6, 1998
PROJECT NUMBER 22597-02	DRAWING NUMBER S-2