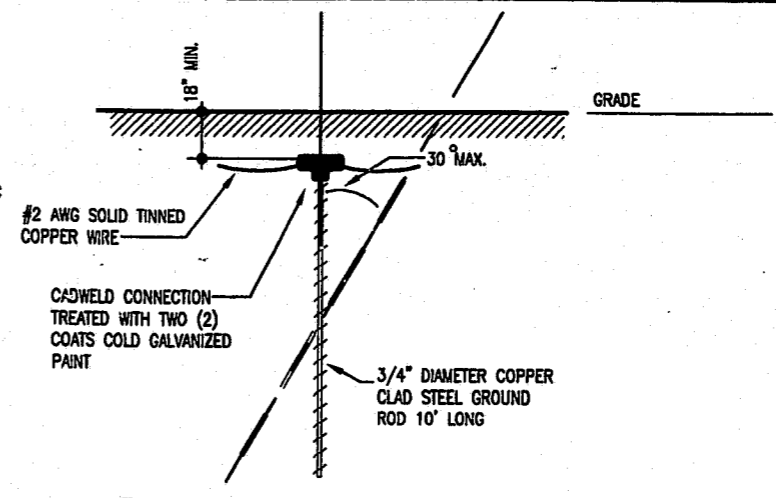
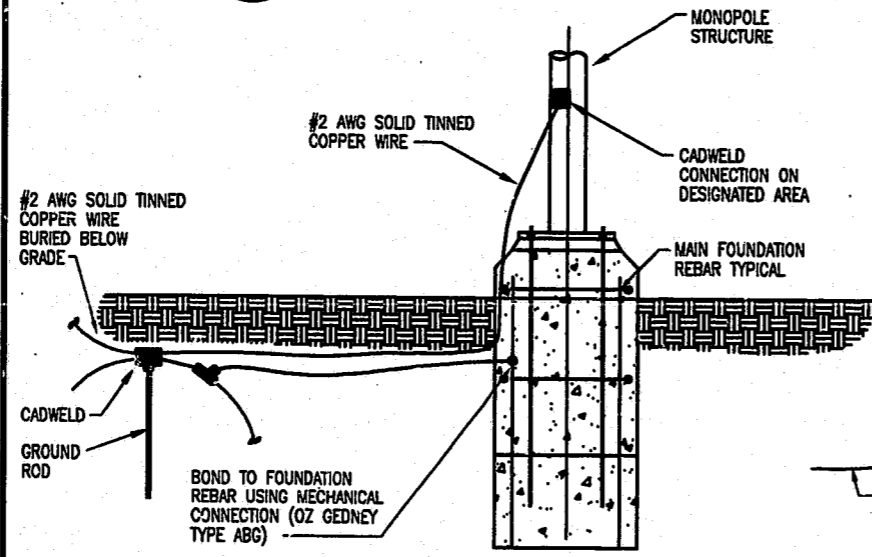


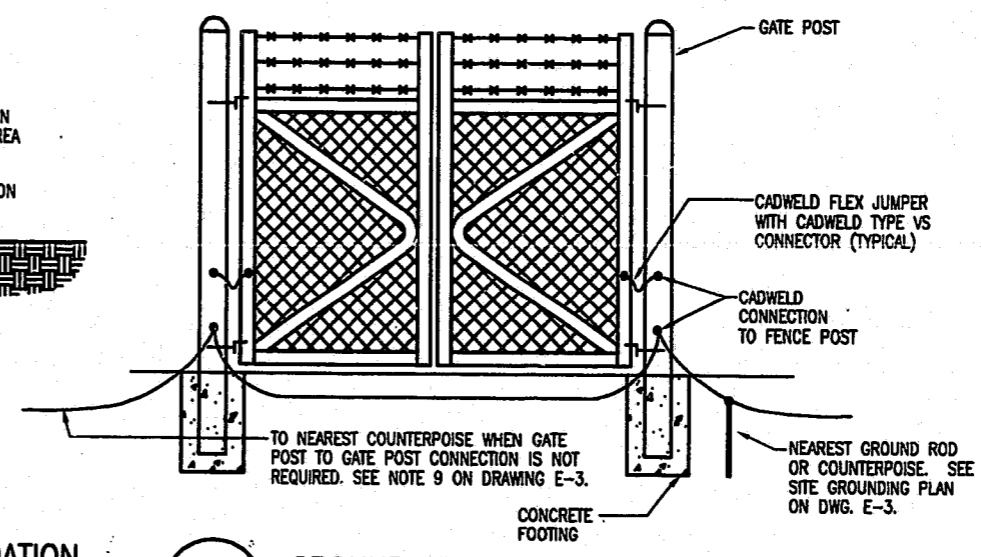
1 UTILITY TRENCH DETAIL
E-2 | E-4
SCALE: NTS



2 TYPICAL GROUND ROD
E-3 | E-4
SCALE: NTS



3 GROUNDING DETAIL FOR MONOPOLE FOUNDATION
E-3 | E-4
SCALE: NTS



4 GROUNDING AT FENCE GATE POST
E-3 | E-4
SCALE: NTS

| | | | | |
|-----|---------|--|----|------|
| A | 1/31/97 | ISSUED FOR PERMITTING, BIDS AND OWNER REVIEW | FW | AA |
| NO. | DATE | REVISION DESCRIPTION | BY | CHKD |

BELLSOUTH
Carolinas PCS, L.P.

09-368-142-H

DETAILS

copyright © 19 97

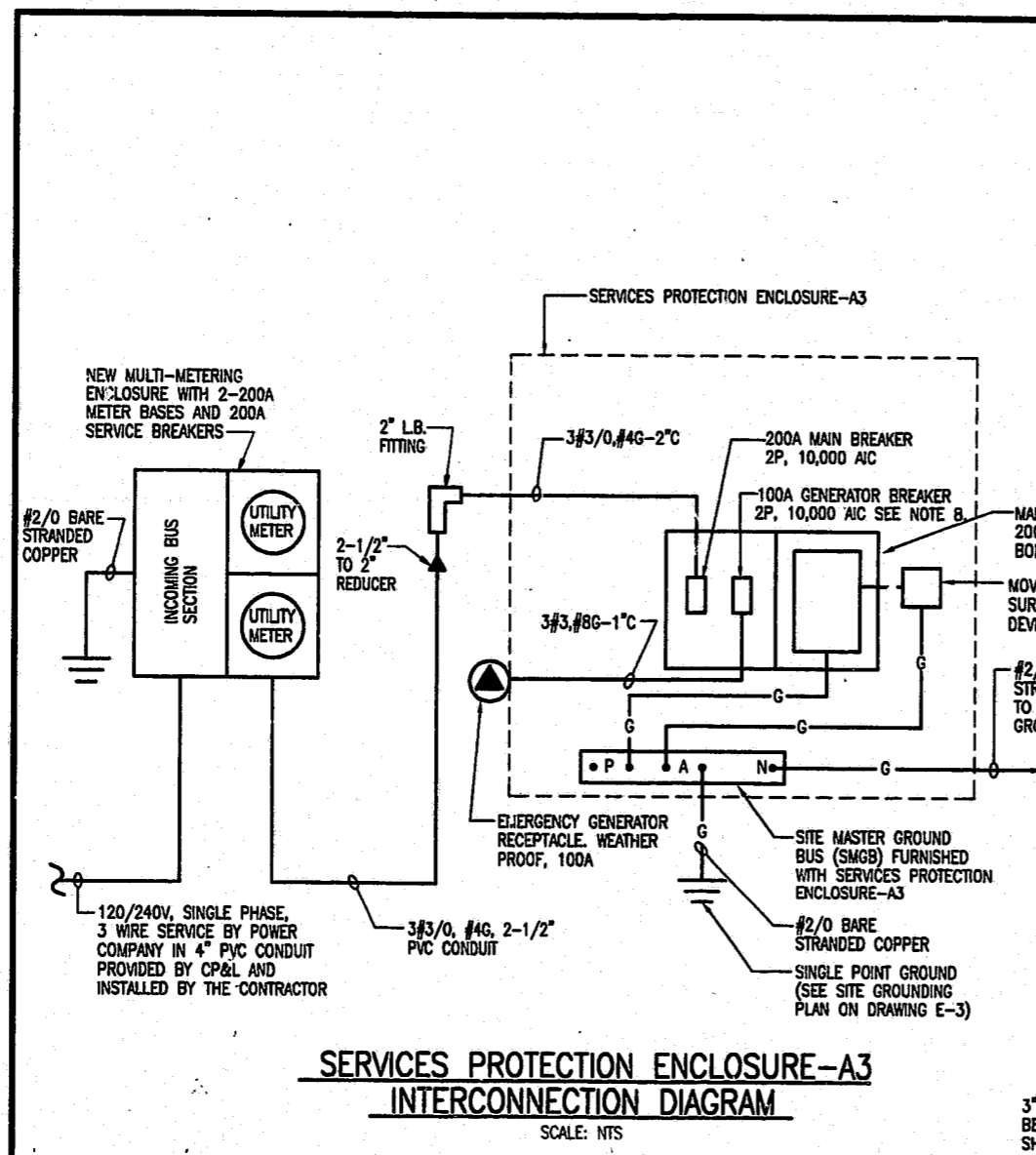
Richard Olsen-Hensley
PROFESSIONAL ENGINEER
2301 Rainsville Drive
Post Office Box 31388, Raleigh, NC 27622-1388
Tel: 919/782-5211 Fax: 919/782-5825



SEAL NOT VALID UNLESS SIGNED AND DATED

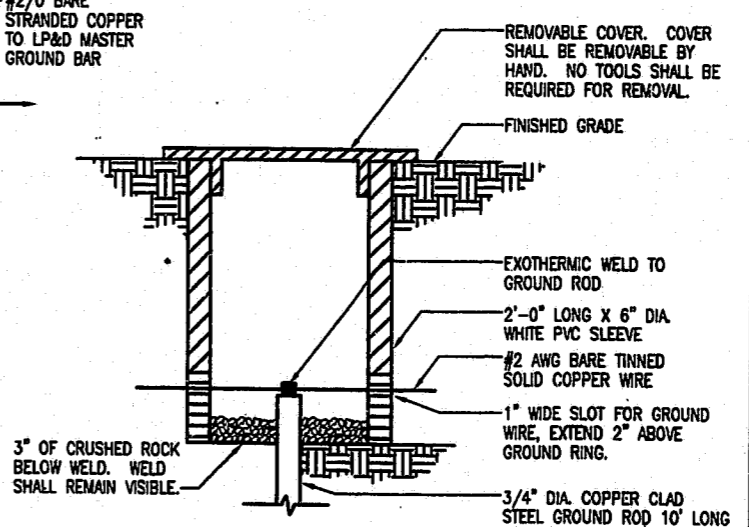
| | |
|--------------------------------|----------------------------------|
| PROJECT MANAGER J. LATHAN | DEPARTMENT MANAGER A. ANCHORS |
| LEAD DESIGN PROF. R. WHITTY | CHECKED A. ANCHORS |
| DRAWN G. SUMERLIN | DATE 1/31/97 |
| PROJECT NUMBER 22597-02 | DRAWING NUMBER E-4 |

CONSTRUCTION DOCUMENTS
RALEIGH OFFICE



SERVICES PROTECTION ENCLOSURE-A3
INTERCONNECTION DIAGRAM
SCALE: NTS

- NOTES:
- METER SOCKET TO BE AS PER POWER COMPANY REQUIREMENTS.
 - METER TO BE LOCATED 3'-0" MINIMUM ABOVE FINISHED GRADE.
 - GROUND FAULT PROTECTION REQUIRED FOR UTILITY RECEPTACLES.
 - SERVICE NEUTRAL TO BE GROUNDED TO SMGB.
 - WHITE/NEUTRAL, GREEN/GROUND SHALL BE MAINTAINED THROUGHOUT THE SITE ELECTRICAL SYSTEM.
 - ALL COMPONENTS SHALL BE PREWIRED WITHIN THE SERVICES PROTECTION ENCLOSURE-A3.
 - EMERGENCY GENERATOR RECEPTACLE SHALL BE PREWIRED AND MOUNTED ON EXTERIOR OF SERVICES PROTECTION ENCLOSURE-A3.
 - EQUIPPED WITH SQUARE "D" WALKING BEAM MECHANICAL INTERLOCK. INTERLOCK PROHIBITS BOTH POWER SOURCES FROM BEING IN THE ON POSITION SIMULTANEOUSLY.
 - ALL TERMINATIONS SHALL BE LISTED AND IDENTIFIED FOR USE WITH 75°C RATED CONDUCTORS.



NOTE: SINGLE POINT GROUND ROD ONLY.
1 GROUND ROD TEST WELL
E-3 | E-5
SCALE: NTS

| | | | | |
|-----|---------|--|----|------|
| A | 1/31/97 | ISSUED FOR PERMITTING, BIDS AND OWNER REVIEW | FW | AA |
| NO. | DATE | REVISION DESCRIPTION | BY | CHKD |

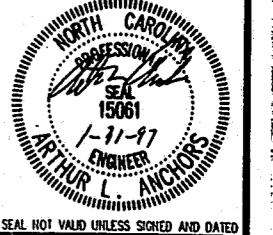
BELLSOUTH
Carolinas PCS, L.P.

09-368-142-H

SERVICES PROTECTION ENCLOSURE-A3

copyright © 19 97

Richard Olsen-Hensley
PROFESSIONAL ENGINEER
2301 Rainsville Drive
Post Office Box 31388, Raleigh, NC 27622-1388
Tel: 919/782-5211 Fax: 919/782-5825



SEAL NOT VALID UNLESS SIGNED AND DATED

| | |
|--------------------------------|----------------------------------|
| PROJECT MANAGER J. LATHAN | DEPARTMENT MANAGER A. ANCHORS |
| LEAD DESIGN PROF. R. WHITTY | CHECKED A. ANCHORS |
| DRAWN G. SUMERLIN | DATE 1/31/97 |
| PROJECT NUMBER 22597-02 | DRAWING NUMBER E-5 |

97-SP-034
APPROVED
97 4-2-97
TM 4-2-97