

C	4/24/94	ADDED NOTE	BY	CS
S	5/15/94	ADDED DETAILS	BY	CS
A	12/14/94	ISSUED FOR PERMITTING, BIDDING AND CONSTRUCTION REVIEW	BY	CS
NO.	DATE	REVISION DESCRIPTION	BY	CS

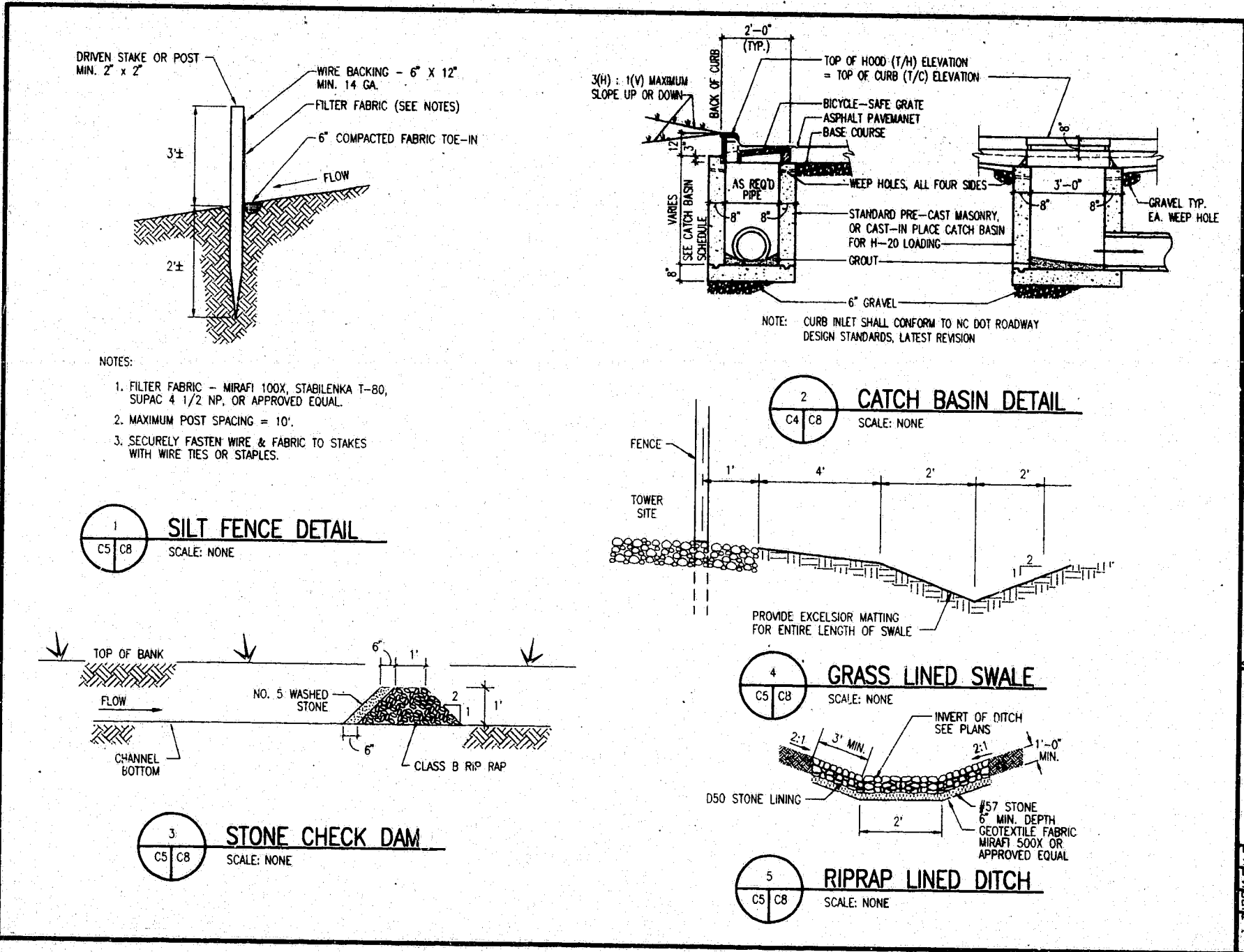
**BELLSOUTH**  
Carolina PCS, L.P.  
09-368-054R-D

SITE  
DETAILS  
copyright © 1994  
**Richard O. Hartley**  
Professional Engineer  
2301 Rutherford Drive  
Fayetteville, NC 28404  
Tel: 919/782-0211 Fax: 919/782-9823



PROJECT MANAGER A. GARDEAU	DEPARTMENT MANAGER A. LATHAM
LEAD DESIGN PROJ. A. BECKMAN	DESIGNED D. BROWN
DRAWN D. BUTTS	DATE NOVEMBER 30, 1994
PROJECT NUMBER 22597-02	DRAWING NUMBER C-7

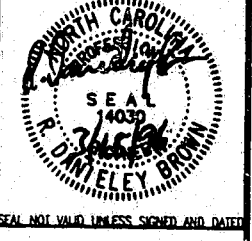
SITEDET2



B	1/15/94	ADDED DETAIL	BY	CS
A	12/14/94	ISSUED FOR PERMITTING, BIDDING AND CONSTRUCTION REVIEW	BY	CS
NO.	DATE	REVISION DESCRIPTION	BY	CS

**BELLSOUTH**  
Carolina PCS, L.P.  
09-368-054R-D

SITE  
DETAILS  
copyright © 1994  
**Richard O. Hartley**  
Professional Engineer  
2301 Rutherford Drive  
Fayetteville, NC 28404  
Tel: 919/782-0211 Fax: 919/782-9823



PROJECT MANAGER A. GARDEAU	DEPARTMENT MANAGER A. LATHAM
LEAD DESIGN PROJ. A. BECKMAN	DESIGNED D. BROWN
DRAWN D. BUTTS	DATE NOVEMBER 30, 1994
PROJECT NUMBER 22597-02	DRAWING NUMBER C-8

SITEDET2