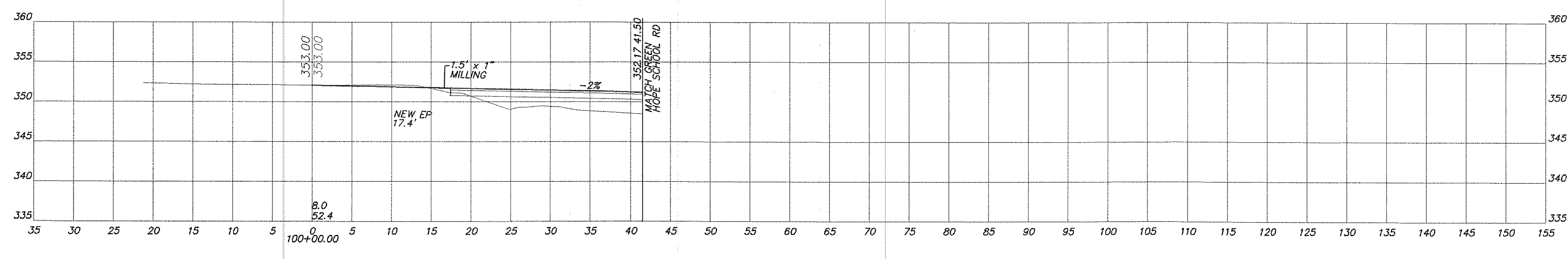
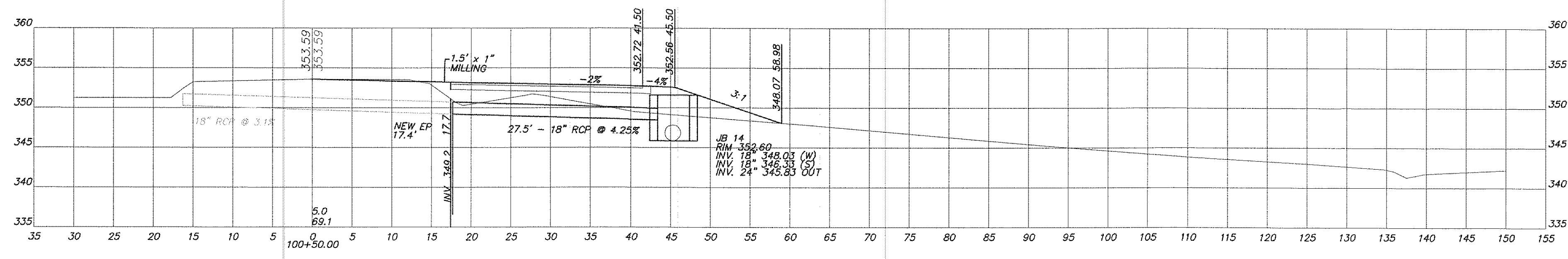
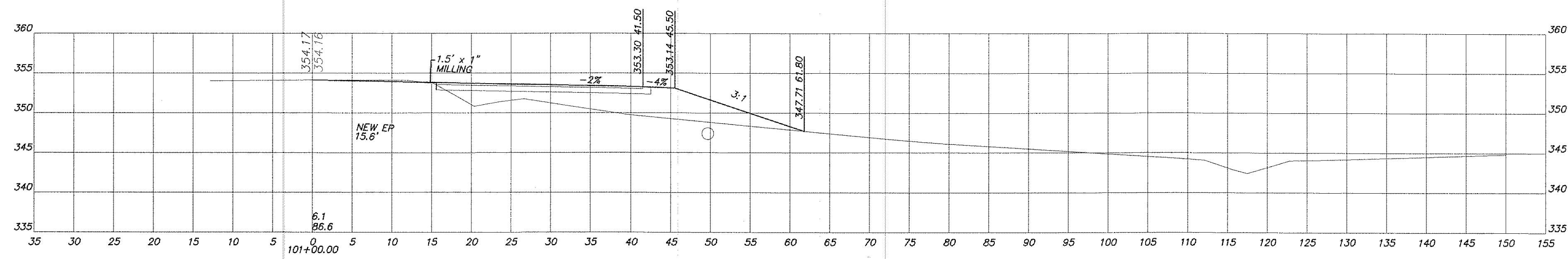
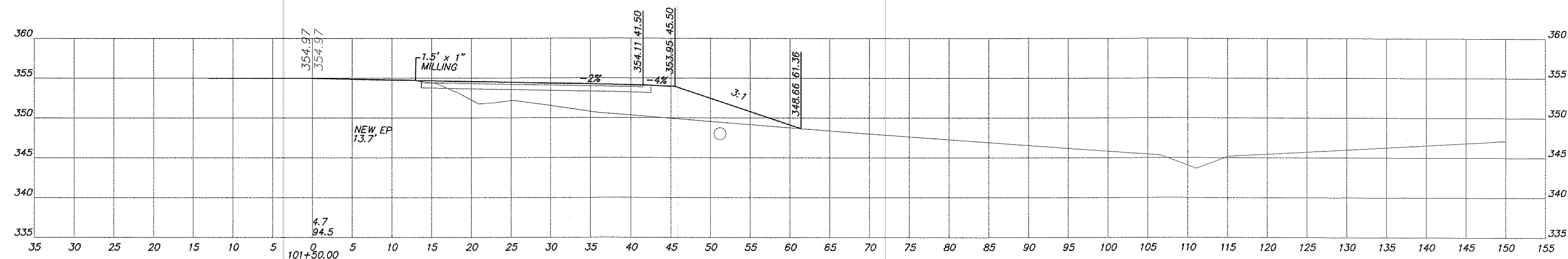
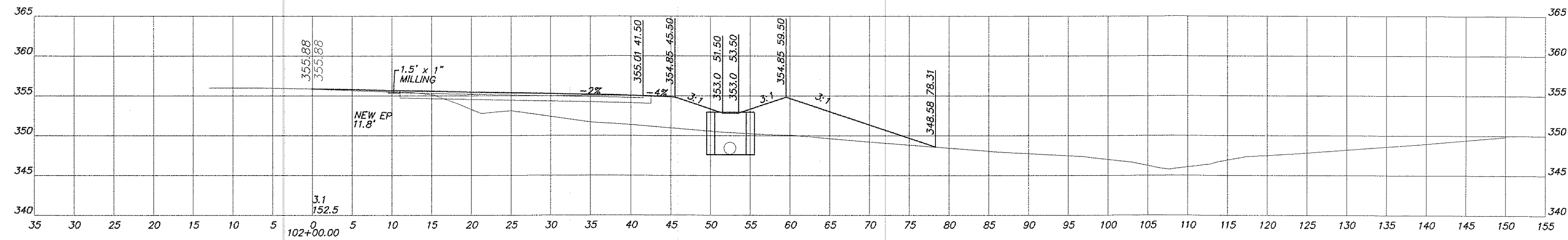


**Hugh J. Gilleece
and Associates**
875 Walnut Street
Suite 360
Cary, NC 27511
Phone: (919)469-1101
Fax: (919)460-7637



No.	DATE	REVISION
1	5/27/2013	TOWN OF CARY REVIEW COMMENTS 3/19/2013
2	6/17/2013	TOWN OF CARY REVIEW COMMENTS 5/28/2013
3	8/22/2013	TOWN OF CARY REVIEW COMMENTS 7/25/2013



GREEN LEVEL CHURCH RC CROSS SECTIONS
STA. 100+00 TO 102+00
FOR
BELLEWOOD MANOR
SITUATED AT
CARY
WAKE COUNTY, NORTH CAROLINA

JOB #	3690.90
DSN/CHK BY:	DS/DS
DWN BY:	DS
DATE:	4/1/2013
HRZ SCALE:	1"=10'
VRT SCALE:	1"=10'

HTE# 13-911
13-SB-002
APPROVED BY TOWN OF CARY
DEVELOPMENT REVIEW COMMITTEE
PLANNER *K.H.* DATE 9/6/2013

SHEET NO.
C26