



HagerSmith Design PA

Architecture
Landscape Architecture
Planning
Interior Design

PO Box 1309
300 South Dawson Street
Raleigh, North Carolina 27602
Fax: 919.228.4050

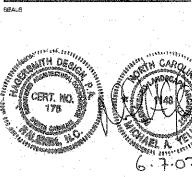
95.82.5547

© Copyright 2007

ARCHITECTURE / GENERAL CONTRACTOR

CIVIL ENGINEERING & SURVEYING
WITHERS & RAVENEL
111 MCKENNA DRIVE
CARY, NORTH CAROLINA 27511
PHONE: 469.3340 FAX: 467.6008

STRUCTURAL ENGINEERING
STEEL TECHNOLOGY, INC
2620 BUSINESS PARK DRIVE
ROCKY MOUNT, NC 27804
PHONE: 252.937.7122



PROJ: 07-SP-045

BIOLOGICS
OFFICE BUILDING
WESTON OAKS COURT
CARY, NC

BIOLOGICS
625 OBERLIN ROAD
RALEIGH, NC 27605

07-SP-045
APPROVED
TOWN OF CARY
Approved by: [Signature] Date: 8-21-07
Drawing: [Signature] Date: 8-1-07
Engineering: [Signature] Date: 12-07

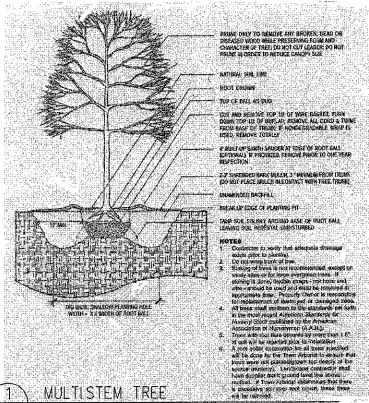
DRAWN BY:

SITE DETAILS

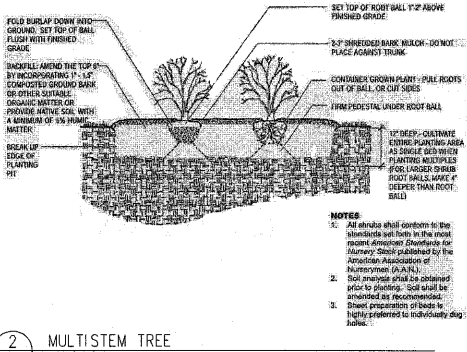
REVISIONS	DATE
1. [Description]	06-10-07
2. [Description]	06-17-07
3. [Description]	06-17-07

DRAWN BY: SMC
CHECKED BY: MLY
DATE ISSUED: 06-17-07

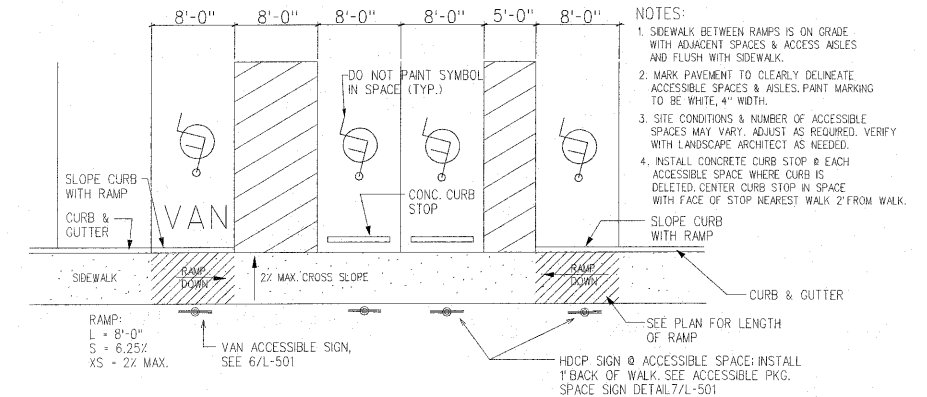
- ORIGINAL -
FOR CONSTRUCTION



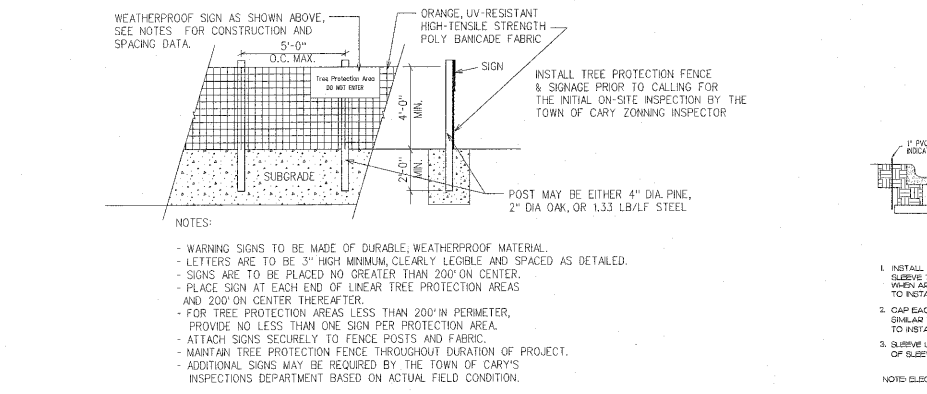
1- MULTISTEM TREE
L-501 NTS (NOT TO SCALE)



2- MULTISTEM TREE
L-501 NTS



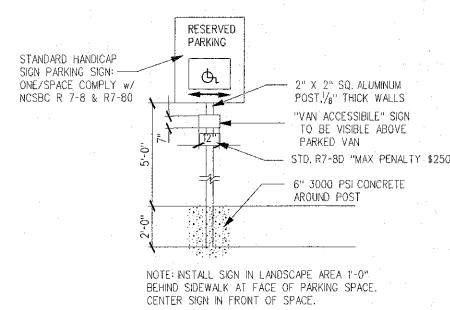
5- TYPICAL ACCESSIBLE PARKING SPACES LAYOUT
L-501 NTS



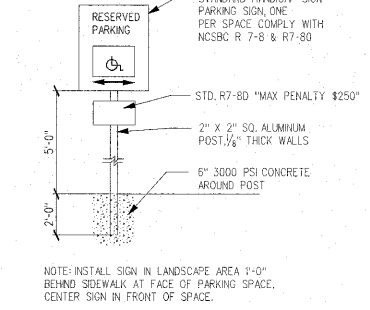
8- TREE PROTECTION FENCE
L-501 NTS

3- RESERVED
L-501 NTS

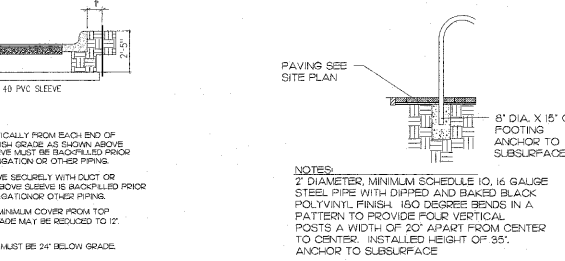
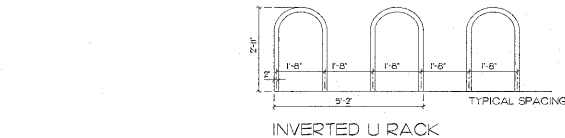
4- RESERVED
L-501 NTS



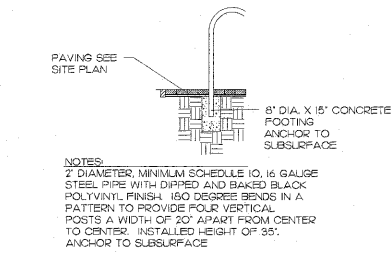
6- VAN ACCESSIBLE PARKING SPACE SIGN
L-501 NTS



7- ACCESSIBLE PARKING SPACE SIGN
L-501 NTS



9- IRRIGATION SLEEVE DETAIL
L-501 NTS



10- BICYCLE PARKING AND RACK
L-501 NTS