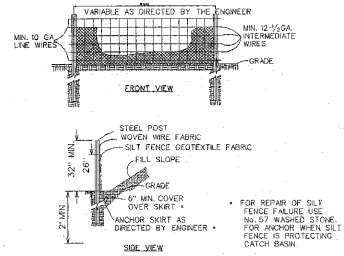
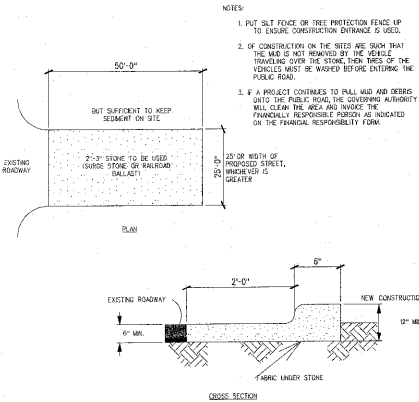


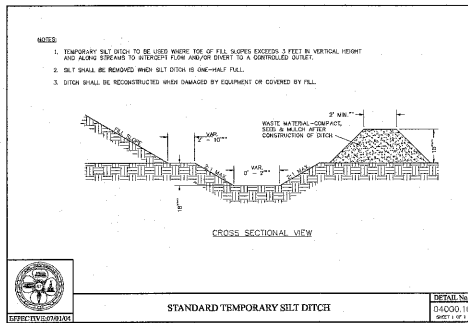
1 PROTECTED DRAINAGE STRUCTURE
L-503 NTS (NOT TO SCALE)



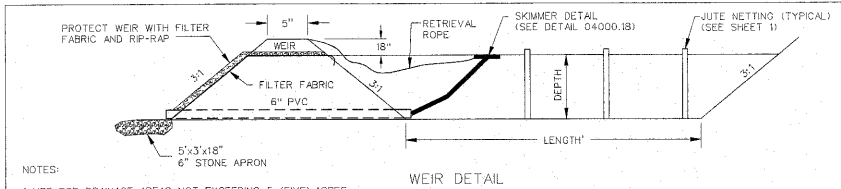
2 TEMPORARY SILT FENCE
L-503 NTS



4 TEMPORARY GRAVEL CONSTRUCTION ENTRANCE
L-503 NTS



5 CARY STANDARD TEMP. SILT DITCH
L-503 NTS



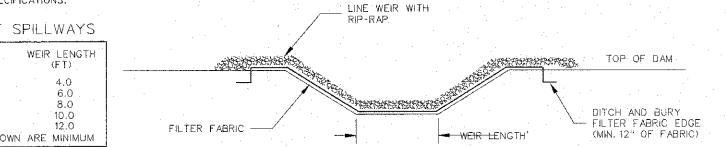
NOTES:

- USE FOR DRAINAGE AREAS NOT EXCEEDING 5 (FIVE) ACRES.
- EARTH BERM SHALL BE STABILIZED w/SEEDING ACCORDING TO TOWN SPECIFICATIONS.

DESIGN OF SPILLWAYS

DRAINAGE AREA (ACRES)	WEIR LENGTH (FT)
1	4.0
2	6.0
3	8.0
4	10.0
5	12.0

DIMENSIONS SHOWN ARE MINIMUM



MAINTENANCE

INSPECT TEMPORARY SEDIMENT TRAPS AND EMPTY SKIMMER OF ALL DEBRIS AFTER EACH PERIOD OF SIGNIFICANT RAINFALL. REMOVE SEDIMENT AND RESTORE TRAP TO ITS ORIGINAL DIMENSIONS WHEN THE SEDIMENT HAS ACCUMULATED TO ONE-HALF THE DESIGN DEPTH OF THE TRAP. PLACE THE SEDIMENT THAT IS REMOVED IN A DESIGNATED DISPOSAL AREA AND REPLACE THE CONTAMINATED PART OF THE GRAVEL FACING.

CHECK THE STRUCTURE FOR DAMAGE FROM EROSION OR PIPING. PERIODICALLY CHECK THE DEPTH OF THE SPILLWAY TO ENSURE IT IS A MINIMUM OF 1.5 FT BELOW THE LOW POINT OF THE EMBANKMENT. IMMEDIATELY FILL ANY SETTLEMENT OF THE EMBANKMENT TO SLIGHTLY ABOVE DESIGN GRADE. ANY RIP RAP DISPLACED FROM THE SPILLWAY MUST BE REPLACED IMMEDIATELY.

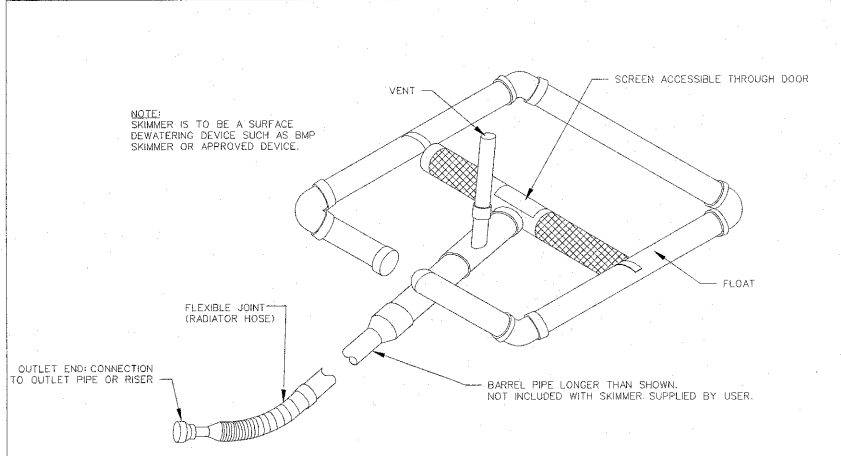
STABILIZE THE EMBANKMENT AND ALL DISTURBED AREAS ABOVE THE SEDIMENT POOL AND DOWNSTREAM FROM THE TRAP IMMEDIATELY AFTER CONSTRUCTION WITH SEEDING.



STANDARD SKIMMER FILTER BASIN

DETAIL No. 04000.03

3 CARY STANDARD SKIMMER FILTER BASIN
L-503 NTS

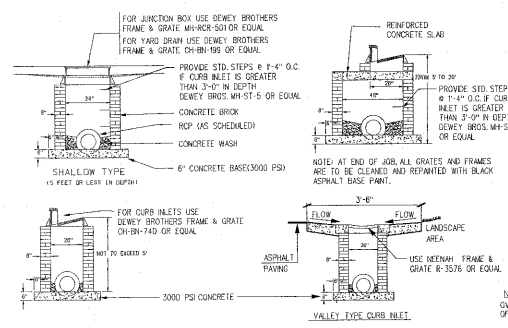


STANDARD SKIMMER DETAIL

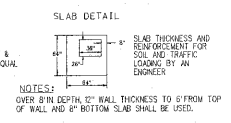
DETAIL No. 04000.18



6 CARY STANDARD SKIMMER FILTER BASIN
L-503 NTS



7 CONCRETE BLOCK OR BRICK CATCH BASINS / JUNCTION BOX
L-503 NTS



HagerSmith Design PA
Architecture
Landscape Architecture
Planning
Interior Design

PO Box 1308
300 South Dawson Street
Raleigh, North Carolina 27602
F: 919.928.4650

95.82.5547 © Copyright 2007

ASSOCIATES / CONSULTANTS

CIVIL ENGINEERING & SURVEYING
WITHERS & RAVENEL
111 MCKENNA DRIVE
CARY, NORTH CAROLINA 27511
PHONE: 469.3340 FAX: 467.6008

STRUCTURAL ENGINEERING
STEEL TECHNOLOGY, INC
2620 BUSINESS PARK DRIVE
ROCKY MOUNT, NC 27804
PHONE: 252.937.7122

PROJECT 1000-006

BIOLOGICS

OFFICE BUILDING
WESTON OAKS COURT
CARY, NC

BIOLOGICS

625 OBERLIN ROAD
RALEIGH, NC 27605

07-SP-045
APPROVED
TOWN OF CARY

Approved by: *[Signature]* Date: 05-24-07
Drawing: *[Signature]* Date: 04-11-07
Engineering: *[Signature]* Date: 04-11-07

DRAWING TITLE: SITE DETAILS

REVISIONS:	NAME:	DESCRIPTION:	DATE:
1	END SUBMITTAL		05-24-07
2	DESIGN-CHECKING REVIEW REVISIONS		06-17-07
3	FINAL SUBMITTAL		06-17-07
4	DESIGN-CHECKING REVIEW REVISIONS		06-17-07
5			
6			
7			

DRAWN BY: SVAC
CHECKED BY: MALT
DATE ISSUED: 06-17-07

L-503

DATE: 06-17-07

- ORIGINAL -
FOR CONSTRUCTION