

| MINIMUM CONCRETE BLOCKING (C.Y.) * | | | | | |
|------------------------------------|------------------|----------|----------|--------------|--------------|
| NOM. PIPE DIA. IN. | TEES & DEAD ENDS | 90° BEND | 45° BEND | 22-1/2° BEND | 11-1/4° BEND |
| 4 | 1/3 | 1/3 | 1/3 | 1/3 | 1/3 |
| 6 | 1/3 | 1/3 | 1/3 | 1/3 | 1/3 |
| 8 | 1/3 | 1/2 | 1/3 | 1/3 | 1/3 |
| 10 | 2/3 | 3/4 | 1/2 | 1/3 | 1/3 |
| 12 | 3/4 | 1.0 | 2/3 | 1/3 | 1/3 |
| 14 | 1.0 | 1-1/2 | 3/4 | 1/2 | 1/3 |
| 16 | 1-1/3 | 2.0 | 1.0 | 1/2 | 1/3 |
| 18 | 1-2/3 | 2-1/3 | 1-1/3 | 2/3 | 1/3 |
| 20 | 2.0 | 3.0 | 1-2/3 | 3/4 | 1/2 |
| 24 | 3.0 | 4-1/3 | 2-1/3 | 1-1/3 | 2/3 |

* CONCRETE SHALL BE 3000 P.S.I. MIX.

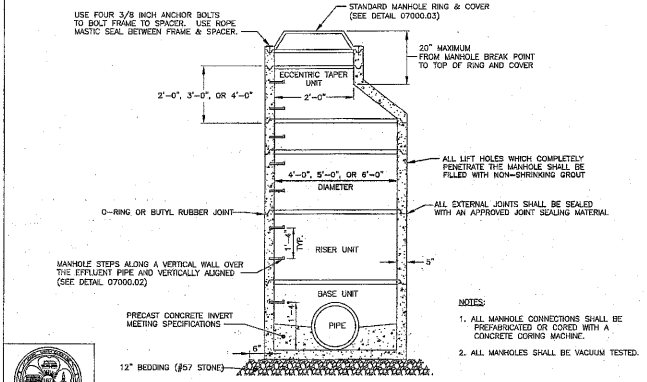
NOTE:
FITTING SHALL BE WRAPPED WITH A MINIMUM 4 MIL PLASTIC,
NO CONCRETE SHALL COVER BOLTS OR GLANDS.



STANDARD REACTION BLOCKING

DETAIL No.
06000.13
SHEET 1 OF 1

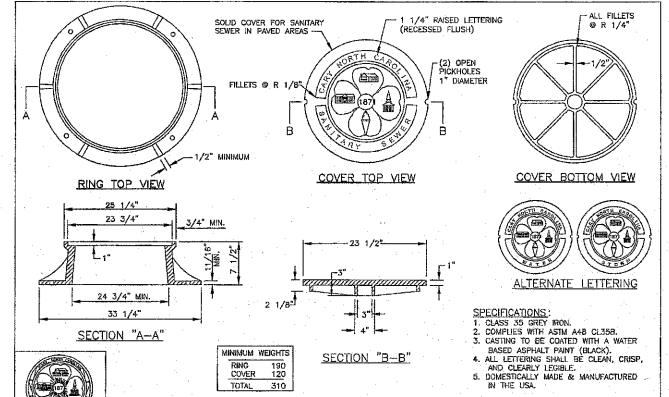
EFFECTIVE: 07/01/04



STANDARD PRECAST CONCRETE MANHOLE

DETAIL No.
07000.01
SHEET 1 OF 1

EFFECTIVE: 07/01/04



STANDARD MANHOLE RING AND COVER
(TYPE 1 PAVED AREAS)

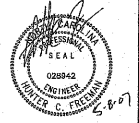
DETAIL No.
07000.03
SHEET 1 OF 3

EFFECTIVE: 07/01/04

- MINIMUM WEIGHTS
- | | |
|-------|-----|
| RING | 190 |
| COVER | 120 |
| TOTAL | 310 |
- SECTION "A-A"
- SECTION "B-B"
- ALTERNATE LETTERING
- SPECIFICATIONS:
- CLASS 30 GREY IRON.
 - COMPLIES WITH ASTM A88 CLASS 3.
 - CASTING TO BE COATED WITH A WATER BASED ASPHALT PAINT (BLACK).
 - ALL LETTERING SHALL BE CLEAR, CRISP, AND CLEARLY LEGIBLE.
 - DOMESTICALLY MADE & MANUFACTURED IN THE USA.

APPROVED
TOWN OF CARY
PROJECT # 07-SP-045

Approved by: WJC Date: 2-21-07
 Planning: WJC Date: 1-11-07
 Engineering: WJC Date: 2-13-07



| No. | Revision | Date | By |
|-----|----------|------|----|
| | | | |
| | | | |
| | | | |

| | | | |
|------------|-----|---------|------------|
| Designer | WJR | Scale | 1"=30' |
| Drawn By | PAP | Date | 5/7/07 |
| Checked By | WJR | Job No. | 2070995.00 |

BIOLOGICS - WESTON OAKS SITE

CARY WAKE COUNTY NORTH CAROLINA

DETAILS

WITHERS & RAVENEL
 ENGINEERS | PLANNERS | SURVEYORS
 111 MacKinnon Drive, Cary, North Carolina 27511 tel: 919-469-3310 fax: 919-467-6628 www.witherandsr.com

Sheet No.
C-104

C:\p1\c207\c207.dwg - Project: 07-SP-045 - Project: 07-SP-045 - Project: 07-SP-045