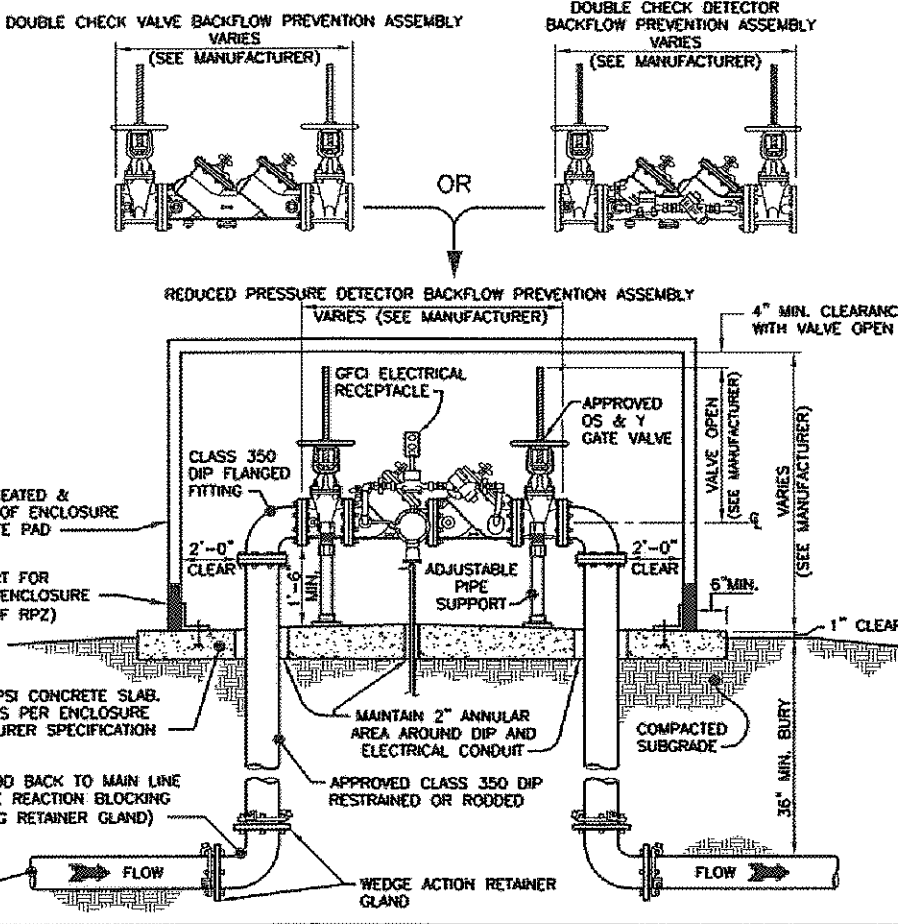
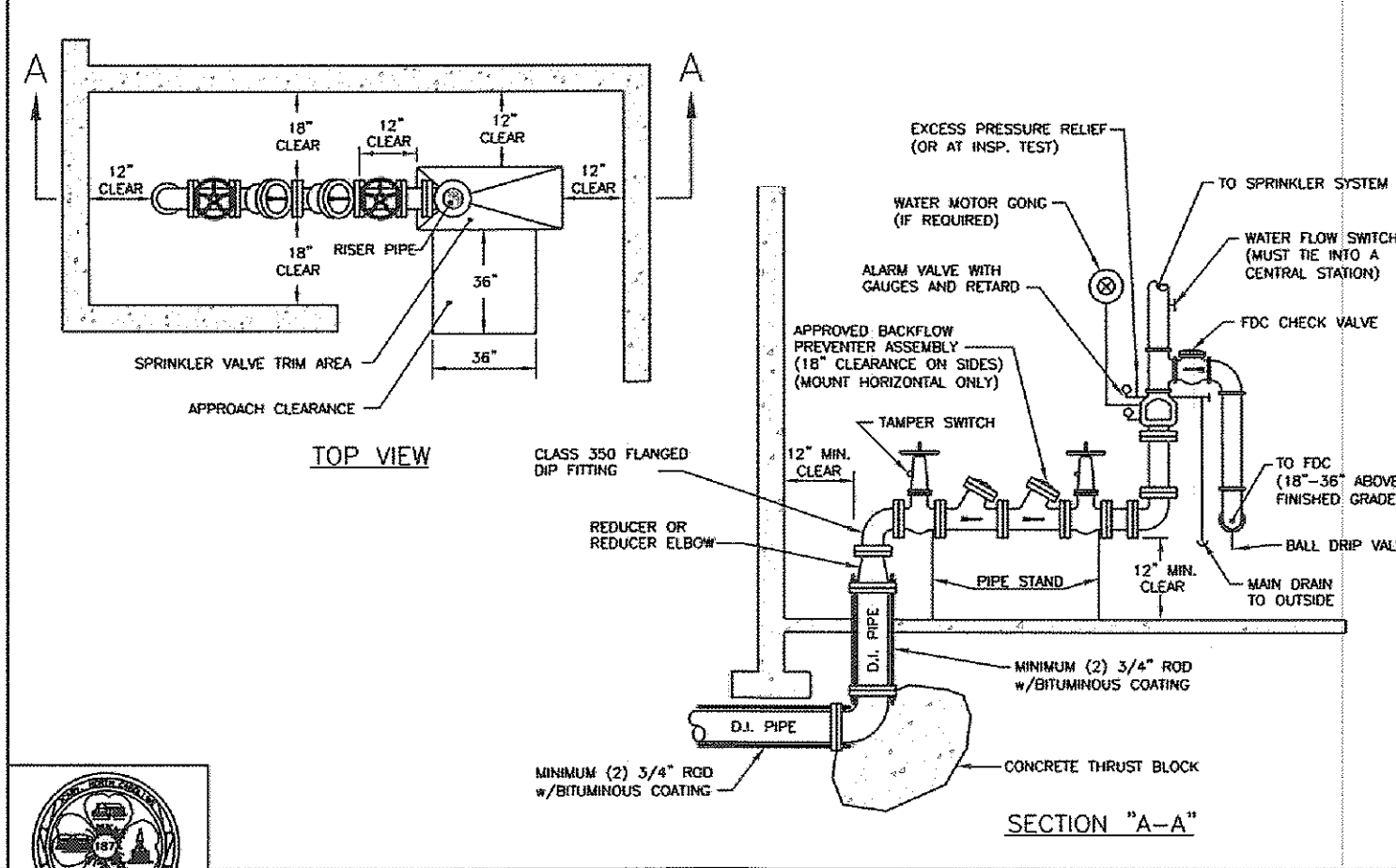


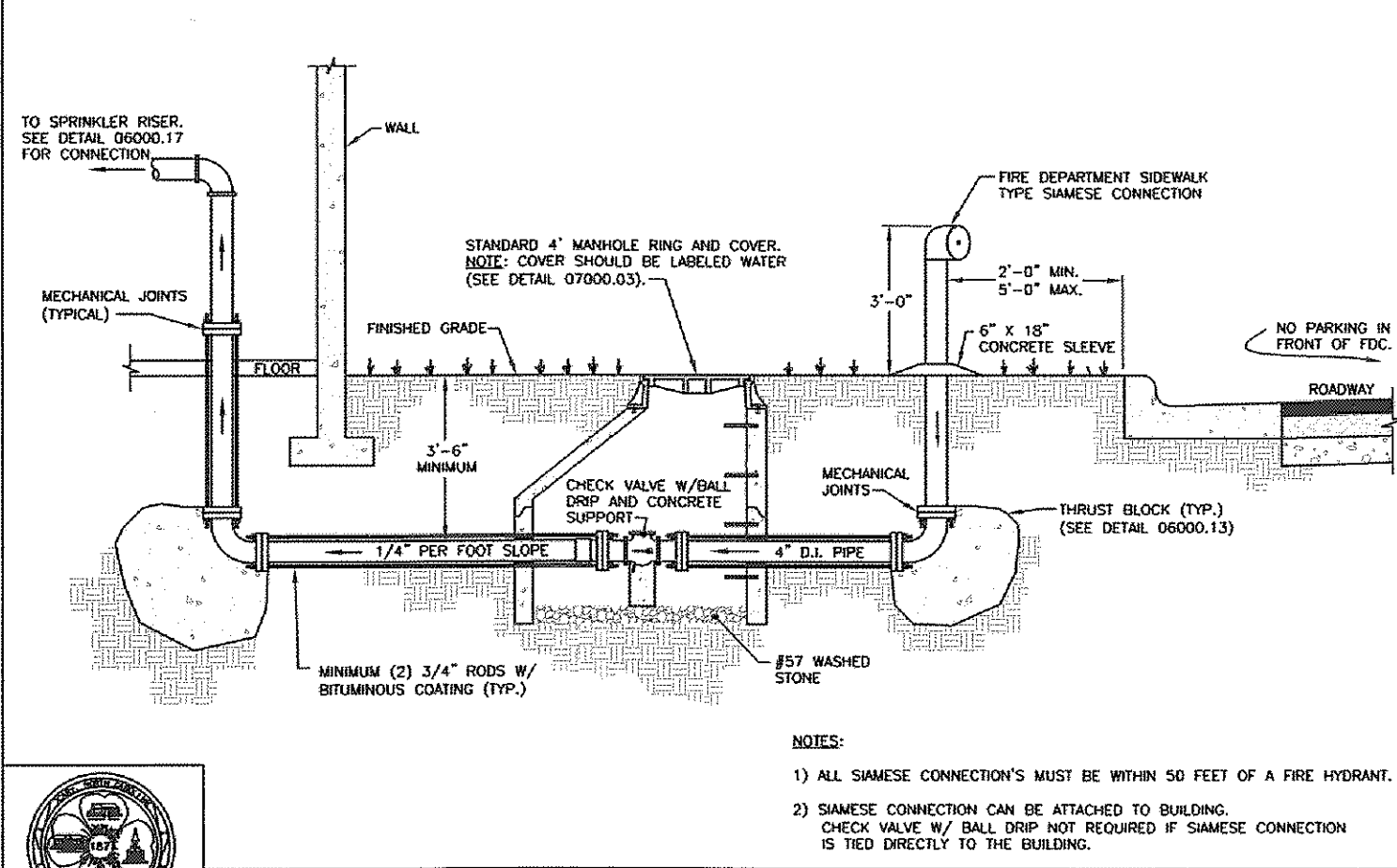
- NOTES**
- 1) REDUCED PRESSURE PRINCIPLE BACKFLOW PREVENTION ASSEMBLY SHALL COMPLY WITH ASSE 1013 & MINN. CH. 1.
 - 2) REDUCED PRESSURE DETECTOR BACKFLOW PREVENTION ASSEMBLY SHALL COMPLY WITH ASSE 1047.
 - 3) DOUBLE CHECK VALVE BACKFLOW PREVENTION ASSEMBLY SHALL COMPLY WITH ASSE 1015 & MINN. CH. 10.
 - 4) DOUBLE CHECK DETECTOR BACKFLOW PREVENTION ASSEMBLY SHALL COMPLY WITH ASSE 1048.
 - 5) BACKFLOW ASSEMBLY SHALL BE CENTERED ON CONCRETE PAD AND CENTERED WITHIN ENCLOSURE.
 - 6) CLASS 1 ASSE 1000 HEATED AND INSULATED WEATHERPROOF ENCLOSURE REQUIRED.
 - 7) STANDARD LOW GFCI ELECTRICAL RECEPTACLE TO BE INSTALLED IN ACCORDANCE WITH THE I.A.C. ELECTRICAL CODE FOR OUTDOOR OPERATION.
 - 8) PIPE MATERIAL SHALL BE CLASS 350 DIP APPROVED BY THE TOWN.
 - 9) INSTALLATION SHALL BE IN COMPLIANCE WITH ALL APPLICABLE TOWN ORDINANCES AND SPECIFICATIONS IN ADDITION TO THE I.A.C. PLUMBING CODE.
 - 10) PROPERTY OWNER SHALL BE RESPONSIBLE FOR MAINTENANCE AND OPERATION OF BACKFLOW ASSEMBLY AND COMPLIANCE WITH REPORTING AND TESTING REQUIREMENTS.



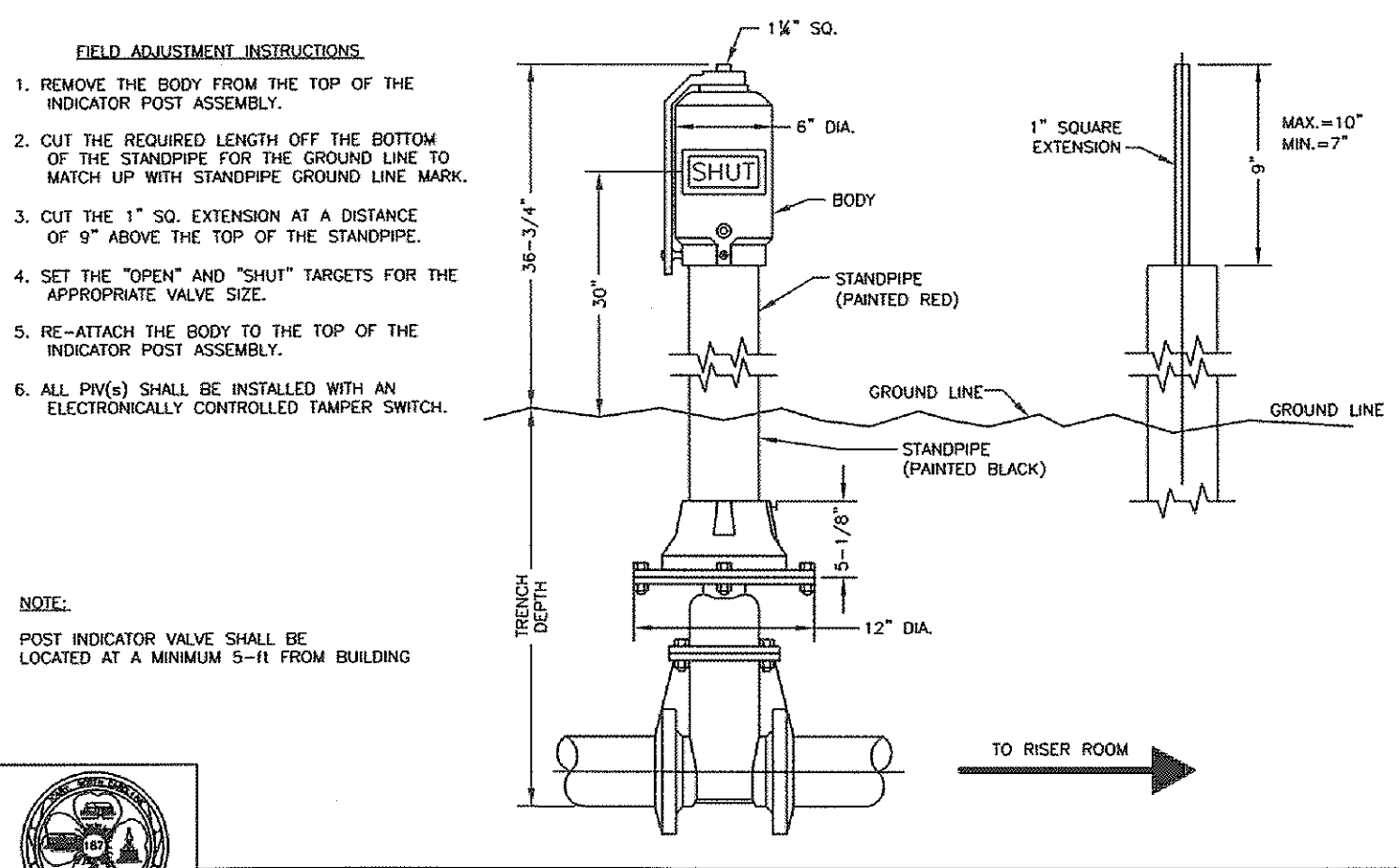
STANDARD COMMERCIAL OUTDOOR BACKFLOW ASSEMBLY, (3" DIAMETER AND LARGER)
 DETAIL No. 06200.05
 SHEET 1 OF 1
 EFFECTIVE: 12/10/09



STANDARD SPRINKLER RISER
 DETAIL No. 06000.17
 SHEET 1 OF 1
 EFFECTIVE: 09/08/05



CURB SIDE FIRE DEPARTMENT CONNECTION
 DETAIL No. 06000.18
 SHEET 1 OF 1
 EFFECTIVE: 07/01/04



STANDARD TAPPING SLEEVE & POST INDICATOR VALVE
 DETAIL No. 06000.19
 SHEET 1 OF 1
 EFFECTIVE: 09/08/05

- FIELD ADJUSTMENT INSTRUCTIONS**
1. REMOVE THE BODY FROM THE TOP OF THE INDICATOR POST ASSEMBLY.
 2. CUT THE REQUIRED LENGTH OFF THE BOTTOM OF THE STANDPIPE FOR THE GROUND LINE TO MATCH UP WITH STANDPIPE GROUND LINE MARK.
 3. CUT THE 1" SQ. EXTENSION AT A DISTANCE OF 9" ABOVE THE TOP OF THE STANDPIPE.
 4. SET THE "OPEN" AND "SHUT" TARGETS FOR THE APPROPRIATE VALVE SIZE.
 5. RE-ATTACH THE BODY TO THE TOP OF THE INDICATOR POST ASSEMBLY.
 6. ALL PIV(S) SHALL BE INSTALLED WITH AN ELECTRONICALLY CONTROLLED TAMPER SWITCH.

NOTE:
 POST INDICATOR VALVE SHALL BE LOCATED AT A MINIMUM 5'-0" FROM BUILDING

- NOTES:**
- 1) ALL SAMESE CONNECTIONS MUST BE WITHIN 50 FEET OF A FIRE HYDRANT.
 - 2) SAMESE CONNECTION CAN BE ATTACHED TO BUILDING. CHECK VALVE W/ BALL DRIP NOT REQUIRED IF SAMESE CONNECTION IS TIED DIRECTLY TO THE BUILDING.

K:\09-05-1280\09-1284-30-Bradford Phase 2\CAD\Construction Drawings\07-12-13 TIC (Approved)\C10-4.dwg - Monday, July 22, 2013 3:43:42 PM - MCDONALD, TUCKER

No.	Revision	Date	By
1	07-SP-114-D 1st SUBMITTAL	03/14/13	PMO
2	07-SP-114-D 2nd SUBMITTAL	05/02/13	TLM
3	PSM 1st SUBMITTAL	06/05/13	TLM
4	07-SP-114-D 3rd SUBMITTAL	06/13/13	TLM
5	TIC APPROVAL	07/22/13	TLM

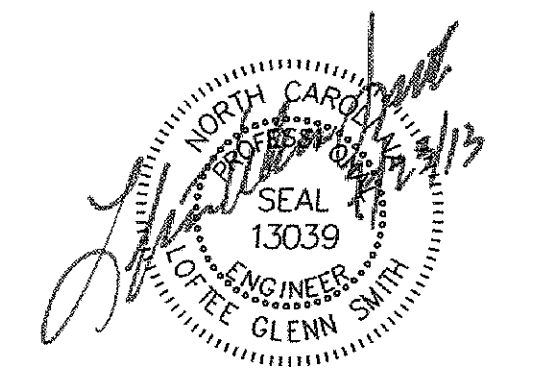
Designer	PMO	Scale	AS NOTED
Drawn By	TFW	Date	03/14/13
Checked By	PMO	Job No.	2061284-30

BRADFORD
 CARY WAKE COUNTY NORTH CAROLINA

CONSTRUCTION DETAILS

WITHERS & RAVENEL
 ENGINEERS | PLANNERS | SURVEYORS
 111 MacKean Drive Cary, North Carolina 27511 tel: 919-469-3340 www.wITHERSANDRAVENEL.COM License No. C-0832

Sheet No. **C10.4**



07-SP-114-D
 HTE # 13-1076
 Approved by the Town of Cary
 Development Review Committee
 Planner: *KAL* Date: 8/6/2013