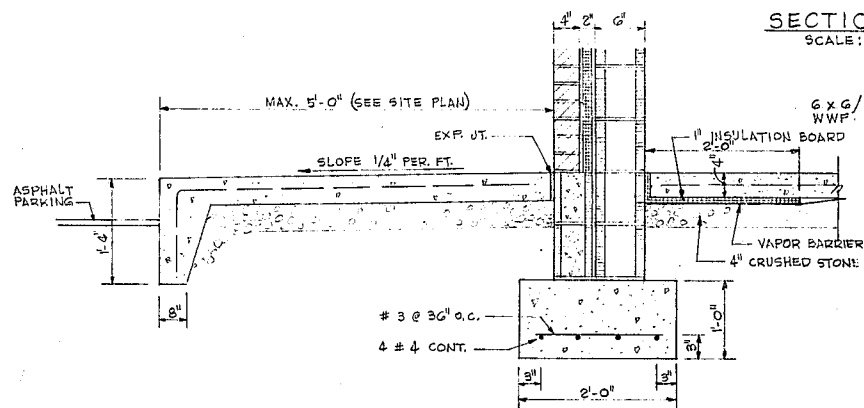
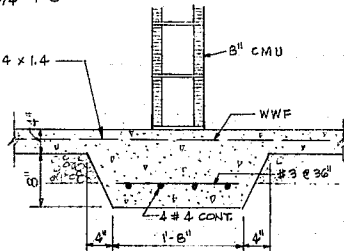


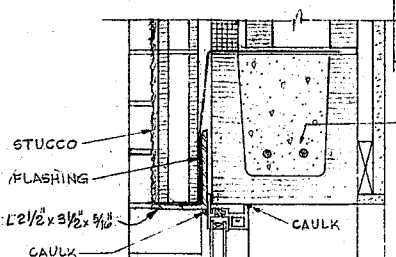
SECTION "A-A"
SCALE: 1/4" = 1'-0"



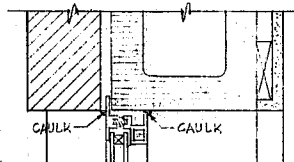
SIDEWALK, FOOTING AND FLOOR SLAB DETAIL
SCALE: 1" = 1'-0"



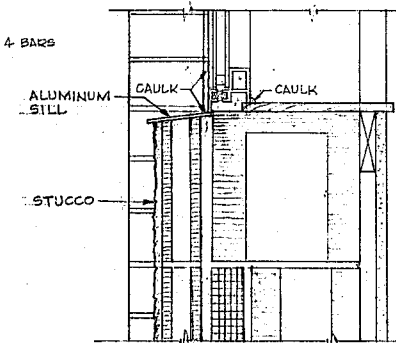
SECTION "B-B"
SCALE: 1" = 1'-0"



HEAD

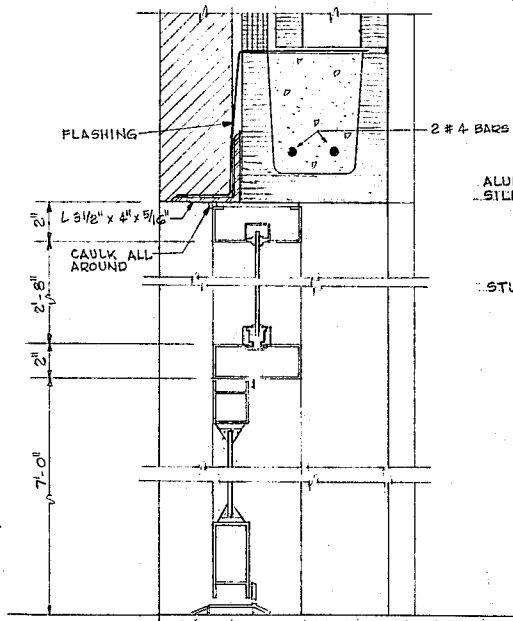


JAMB

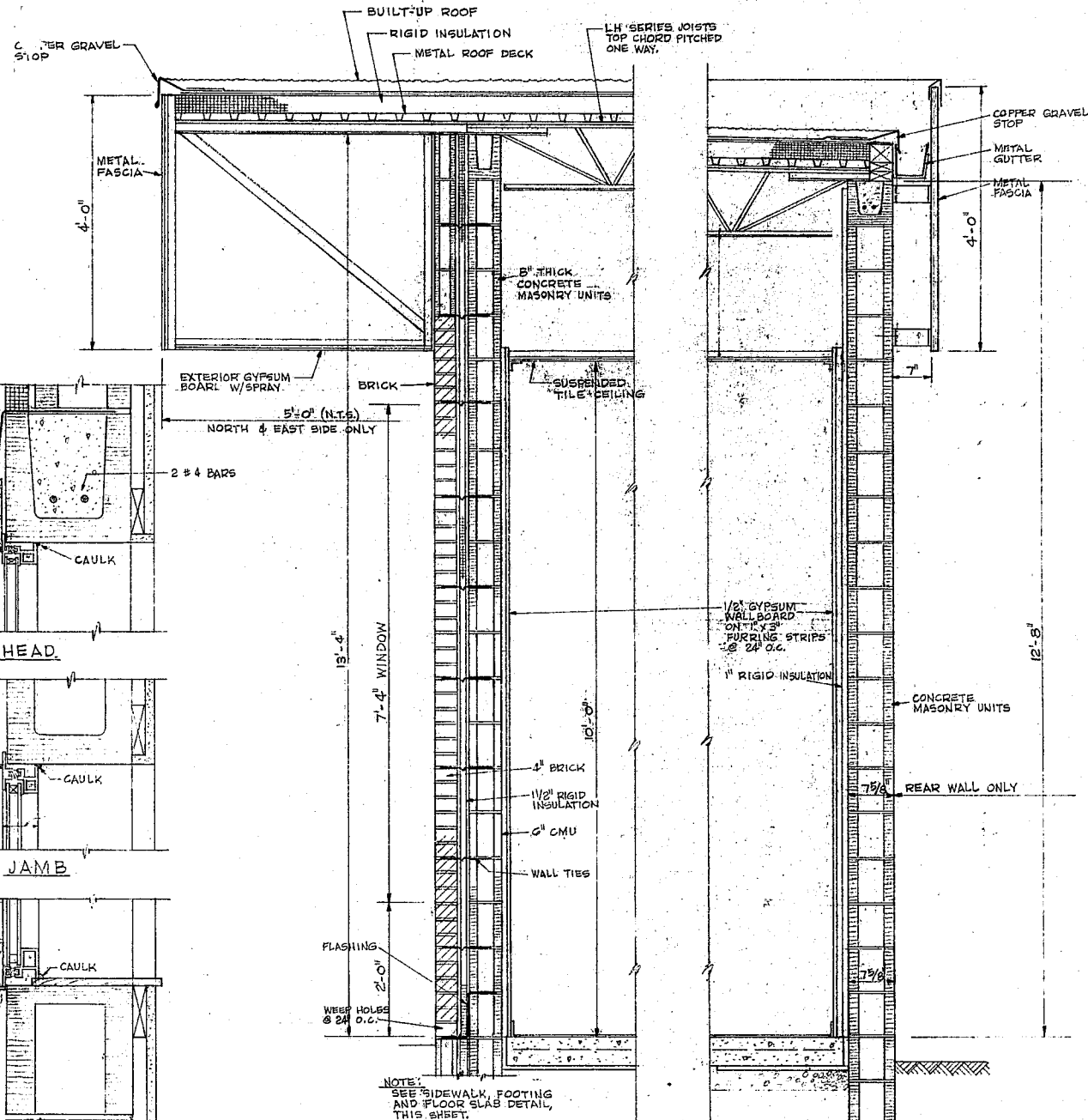


SILL

WINDOW DETAIL
SCALE: 3/8" = 1'-0"



ALUM. & GLASS ENTRANCE DOOR DETAIL
SCALE: 3/8" = 1'-0"



TYPICAL EXTERIOR WALL SECTIONS
SCALE: 1" = 1'-0"

NOTE:
SEE SIDEWALK, FOOTING
AND FLOOR SLAB DETAIL,
THIS SHEET.

IES INTERNATIONAL
ENGINEERING
SERVICES, INC.
1904 Fawcote Drive
Raleigh, North Carolina, 27612



BUCK JONES PLAZA CARY, NORTH CAROLINA	
SCALE: AS SHOWN	APPROVED BY
DATE: JULY 8, 1984	DRAWN BY: W.T.
SECTIONS & DETAILS	
OWNER: HSU ASSOCIATES, INC.	DRAWING NUMBER: 6 OF 9 SHTS.