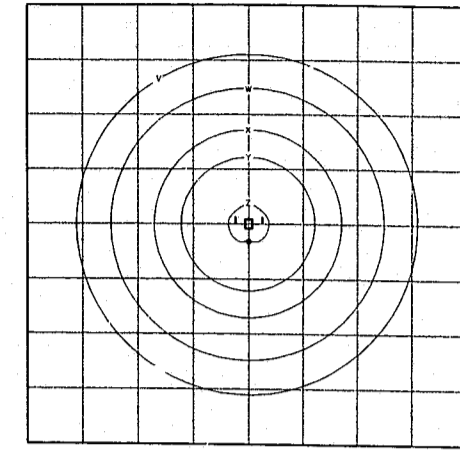
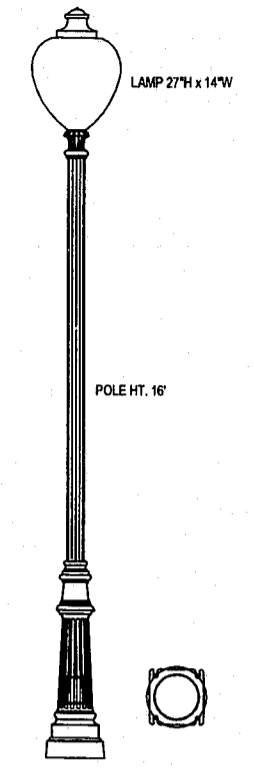


FIGURE: DECORATIVE ACORN TYPE, FROSTED LENS
 MOUNTING HEIGHT: 16 FT
 LAMP: 150W, 16,000 LUMENS, HIGH PRESSURE SODIUM
 PATTERN: TYPE V

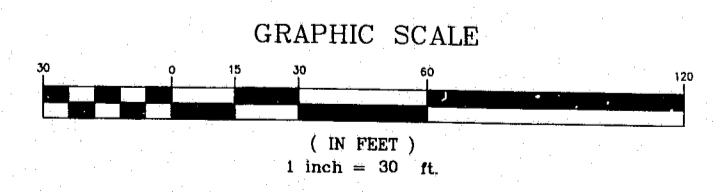


SPECIFICATIONS
 The housing shall be cast aluminum, and have uniform wall thickness with no warping or metal shifting. Minimum thickness shall be 3/16". Electrical components are mounted in the fixture. The ballast compartment shall be sealed with a silicone gasket and aluminum cover. The lens shall be polycarbonate, secured to the housing by stainless steel screws. Refractors shall be internally secured with two stainless steel rods and an aluminum reflector cap. Refractors shall be gasketed top and bottom to allow for expansion and contraction.
 All electrical components and materials shall be UL recognized. Ballasts are high power factor rated for 30° starting. Medium base porcelain sockets are 4KV rated. Mogul base sockets are 4 KV rated. Electrical assembly is provided with quick disconnects for servicing.
 The fixture shall be mounted to a pole top. The fixture shall slip a four inch O.D. pole and be secured with three stainless steel allen head set screws.



CALCULATION SUMMARY					
AREA NAME	DIMENSIONS	GRID NAME	AVE	MAX	MIN
New Area		New Grid	<+>	2.9	0.0

LUMINAIRE SCHEDULE					
SYM	DESCRIPTION	LAMP	LUMENS	MOUNTING/BALLAST	CUF
ACRN	16" Tall Decorative Acorn Fixture (1) "A150" ALM414F OR accepted substitute	(1) LU-150	16000	16 HL, Stock Standard	0.90



01-SP-037
APPROVED
 2/10/01
 TS 7-16-01

Withers & Ravenel
 Engineering and Surveying, Inc.
 111 MacKenran Drive, Cary NC 27511 Phone: 919-469-3340 Fax: 919-467-8008

Revisions			
No.	Description	Date	By
1	REVISED LAYOUT	14 APR 01	CBP

WALER STREET TOWNHOMES
 CARY, NC

LIGHTING PLAN

Designer: W&R	Scale: 1"=30'	CAD File: SHT_5.DWG
Drawn By: CBP	Date: 3/2/01	Sheet No. 7
Checked By: CBP	Job No. 99089	