

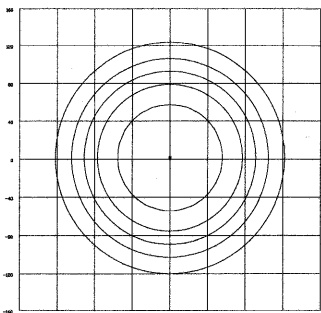
CALCULATOR SUMMARY	DESCRIPTION	UNIT / TYPE	LF	FTS	SPK	GROUP	FOV	INCL	CON	UNUS/CON	UNUS/FOV
FOOT CANDLE	parking	(C)	308	1000	127	2.79	0.63	4.33	2.75		
FOOT CANDLE	property line	(C)	392	1000	100	0.0	0.63	1.49	0.00	N/A	N/A

CORNERSTONE LOT 8 (09-002) LUMINAIRE SCHEDULE	LAMP	LUMENS	MOUNTING/HALFAST	HLF	HTY
SS3A "CUB" CUBE/SHOEBOX LAMP CIP N-200/4/3/37	10000	15' W HT-2000	METAL HALIDE	0.64	4
SS3A "SHOEBOX" LAMP CIP N-200/4/3/37	3000	32' W HT-2000	METAL HALIDE	0.64	4

ISCFOOTCANDLE CURVES

FIXTURE: CUBE, FLAT GLASS FULL CUTOFF  
MOUNTING HEIGHT: 20 FT. BURNS: 10000  
LAMP: 10000, 10000 LUMENS, METAL HALIDE  
PATTERN: TYPE V, FULL CUTOFF  
ASSY #: L10-BLK-0037-01-000

NOTE: THE FOOTCANDLE READINGS BELOW ARE MAINTAINED AND HAVE BEEN DEPRECIATED FOR LAMP LUMEN DEPRECIATION AND LUMINAIRE SURT DEPRECIATION FOR INITIAL FOOTCANDLES. REVISE THE READINGS BELOW BY 44.

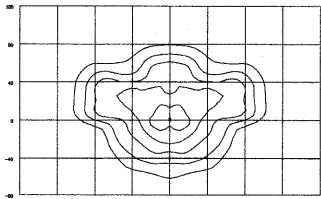


LEGEND (OUTER to INNER): 0.100, 0.250, 0.500, 1.00, 2.00

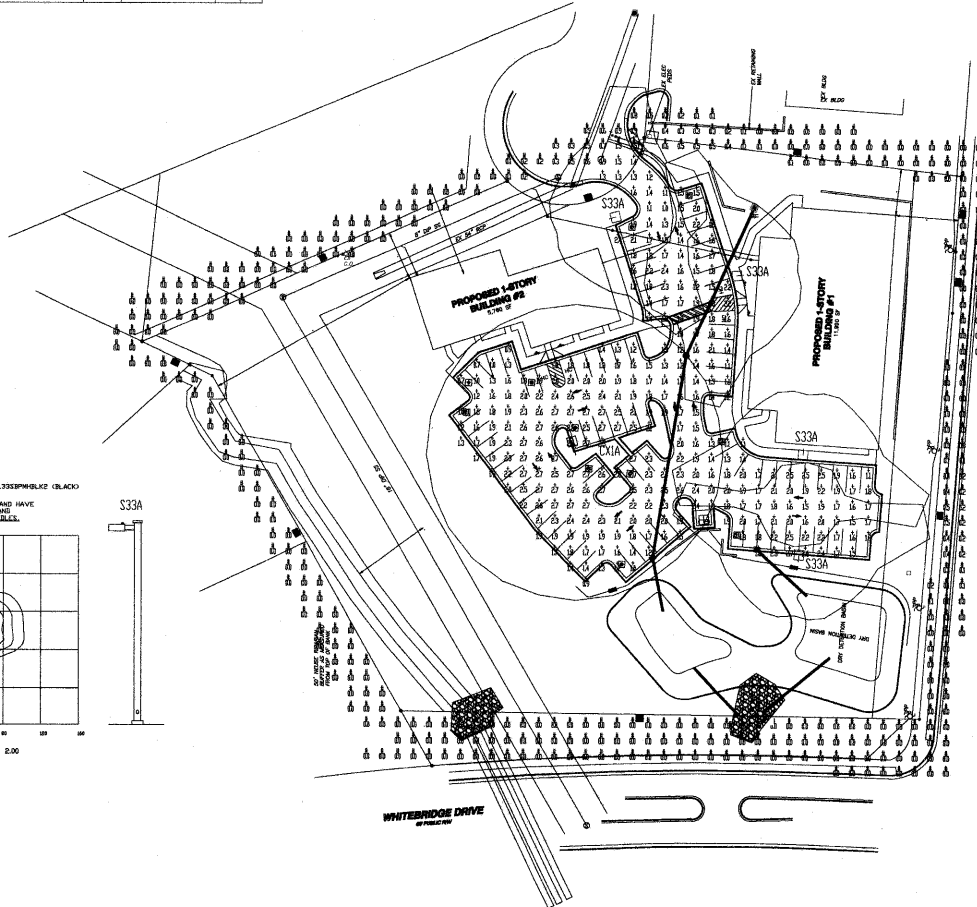
ISCFOOTCANDLE CURVES

FIXTURE: SHOEBOX  
MOUNTING HEIGHT: 32 FT. BURNS: 3000  
LAMP: 3000, 3000 LUMENS, METAL HALIDE, FLA SE START  
PATTERN: TYPE III, FULL CUTOFF  
ASSY #: L1033P-MK-01-000

NOTE: THE FOOTCANDLE READINGS BELOW ARE MAINTAINED AND HAVE BEEN DEPRECIATED FOR LAMP LUMEN DEPRECIATION AND LUMINAIRE SURT DEPRECIATION FOR INITIAL FOOTCANDLES. REVISE THE READINGS BELOW BY 44.



LEGEND (OUTER to INNER): 0.100, 0.250, 0.500, 1.00, 2.00



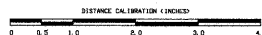
APPROVED  
TOWN OF CARY  
PROJECT # 09-MU-001/09-SP-041

APPROVED BY: TC DATE: 12/10/2009  
PLANNING: KAH DATE: 1/6/2010  
ENGINEERING: SS DATE: 1/6/2010

LIGHTING DESIGN TOLERANCE

The calculated footcandle light levels in this lighting design are predicted values and are based on specific information that has been supplied to Progress Energy. Any inaccuracies in the supplied information, differences in luminaire installation, lighted area geometry including elevation differences, reflective properties of surrounding surfaces, obstructions (tall or otherwise) in the lighted area, or lighting from sources other than listed in this design may produce different results from the predicted values. Normal tolerance of voltage, lamp output, and ballast and luminaire manufacturer will also affect results.

Customer approval: \_\_\_\_\_ Date: \_\_\_\_\_



PROPRIETARY & CONFIDENTIAL

This document together with the concepts and designs presented herein, presented as an instrument of service, is the sole property of Progress Energy, and is intended only for the specific purpose and prospective client as stated in the title block of this drawing. Any use, copying, reproduction or disclosure of the drawing, design or any information contained herein by the prospective customer or other entities, including without limitation, architects, engineers, or equipment manufacturers is hereby expressly prohibited and shall not be permitted absent prior written consent from, and payment of compensation to, Progress Energy. Progress Energy disclaims any liability or responsibility for any unauthorized use of or reliance on this document.

CORNERSTONE LOT 8	
CARY NC	
SITE LIGHTING PLAN	
Designed by	PGN LIGHTING SOLUTIONS - CAROLINAS
Reviewed by	R. Simpkins Scale 1" = 40'
Date	08/05/2009 Size Drawing size "D"
Description	MH Cube & Shoebox fixtures
Drawing No.	D9-0122A Sht. 1 OF 1