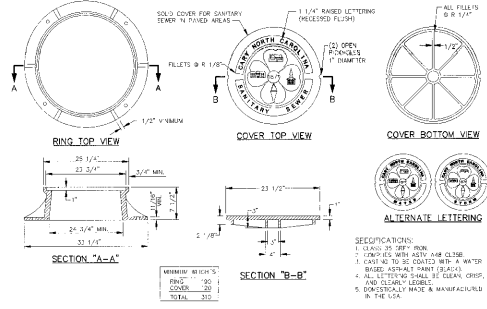
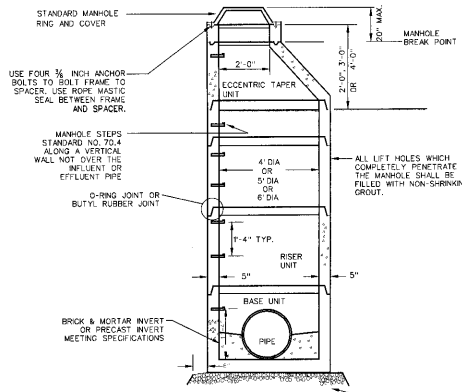


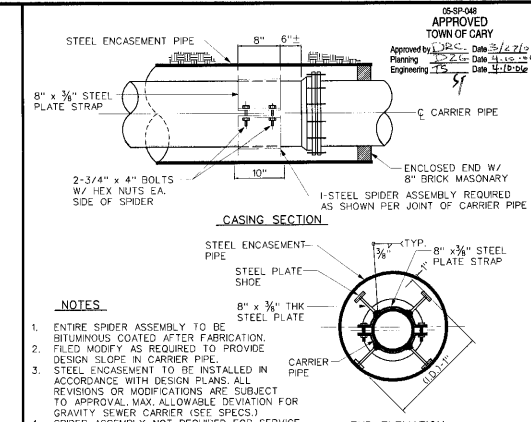
1 STANDARD MANHOLE COVER (TYPE 2)
 15 NOT TO SCALE



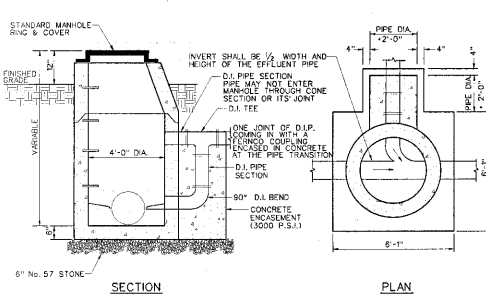
2 STANDARD MANHOLE COVER (TYPE 1)
 15 NOT TO SCALE



3 STANDARD PRECAST CONCRETE MANHOLE
 15 NOT TO SCALE

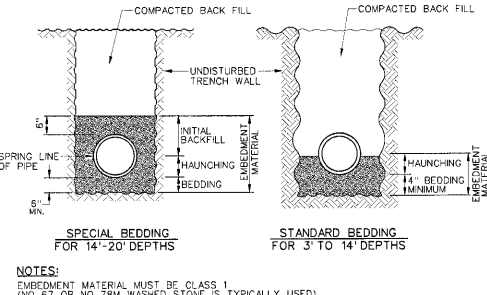


4 STEEL ENCASUREMENT DETAIL
 15 NOT TO SCALE



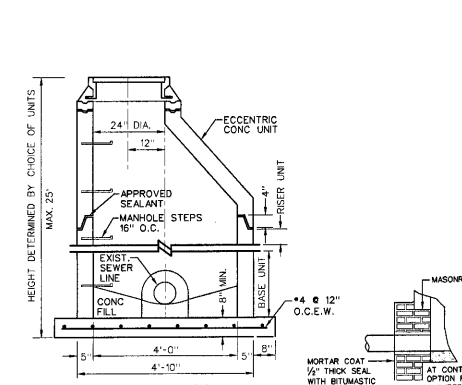
NOTE TO CONTRACTOR:
 TO BE CONSTRUCTED FOR ALL DROPS OVER 30". ALL DROPS OVER 30". P.V.C. OR A.B.S. FITTINGS MAY BE USED IF THE MAIN LINE IS A.B.S. OR P.V.C. APPROVED PRECAST DROP MANHOLES MAY BE USED

5 OUTSIDE DROP MANHOLE
 15 NOT TO SCALE

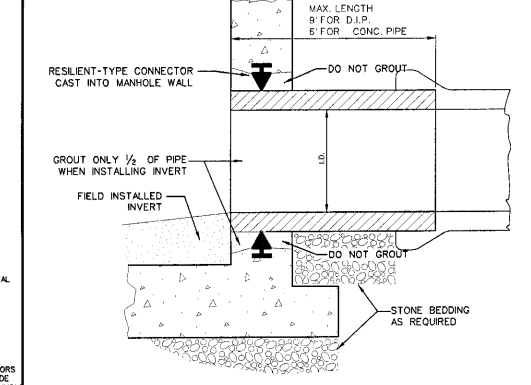


NOTES:
 EMBEDMENT MATERIAL MUST BE CLASS 1 (NO. 67 OR NO. 78M WASHED STONE IS TYPICALLY USED). EMBEDMENT MATERIAL SHALL BE COMPACTED TO A MINIMUM OF 95% STANDARD PROCTOR DENSITY FOR CLASS 1 MATERIAL.
 STANDARD BEDDING SHALL BE UTILIZED FOR ALL CASES WHERE TRENCH BOTTOMS ARE UNSUITABLE DUE TO SOIL TYPE, OR MOISTURE CONDITIONS.
 ALL SANITARY SEWER LINES OVER 20 FEET IN DEPTH MUST BE D.I.P.

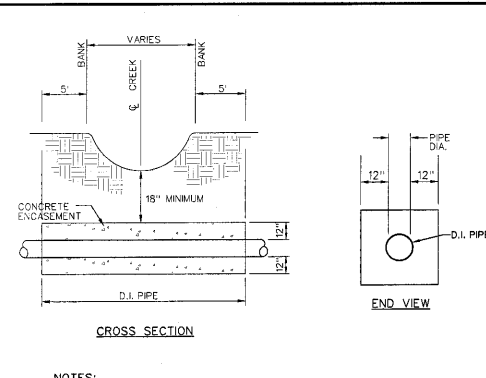
6 TRENCH REQUIREMENTS
 15 (FOR FLEXIBLE AND SEMI-RIGID PIPE)



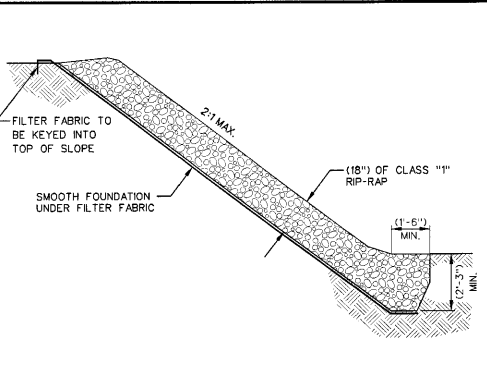
7 DOGHOUSE MANHOLE
 15 NOT TO SCALE



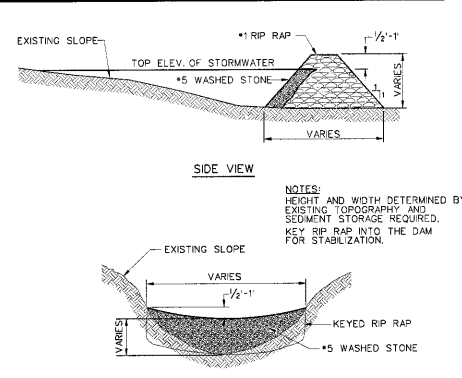
8 TYPICAL MANHOLE/PIPE CONNECTION
 15 NOT TO SCALE



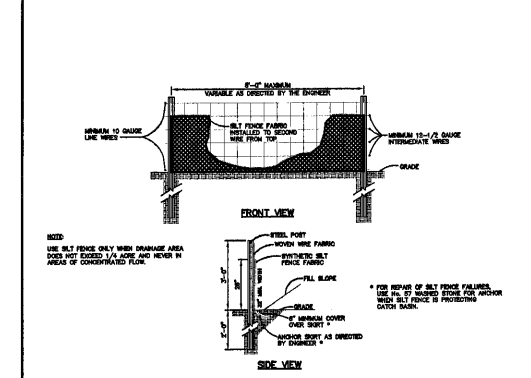
9 STANDARD CONCRETE ENCASUREMENT FOR STREAM CROSSING
 15 NOT TO SCALE



10 BANK STABILIZATION
 15 NOT TO SCALE



11 ROCK CHECK DAM
 15 NOT TO SCALE



12 SILT FENCE
 15 NOT TO SCALE

REVISIONS
 PER TOWN OF CARY COMMENTS
 PER NC DNR LAND QUALITY COMMENTS

APPROVED
 TOWN OF CARY
 Planning
 Engineering

DATE: 02/10/2005
 DATE: 02/10/2005

COUNTY OF WAKE
 WAKE COUNTY
 NORTH CAROLINA
 PHASE 1B - SEWER EXTENSION TO BRECKENRIDGE PUMP STATION
 SEWER AND EROSION CONTROL DETAILS

DESIGNED BY: DLG
 DRAWN BY: DLG
 CHECKED BY: WBJ
 PROJECT NO.: 2801-D
 DATE: MARCH 2005
 SCALE: AS NOTED

SHEET 15 OF 16

15