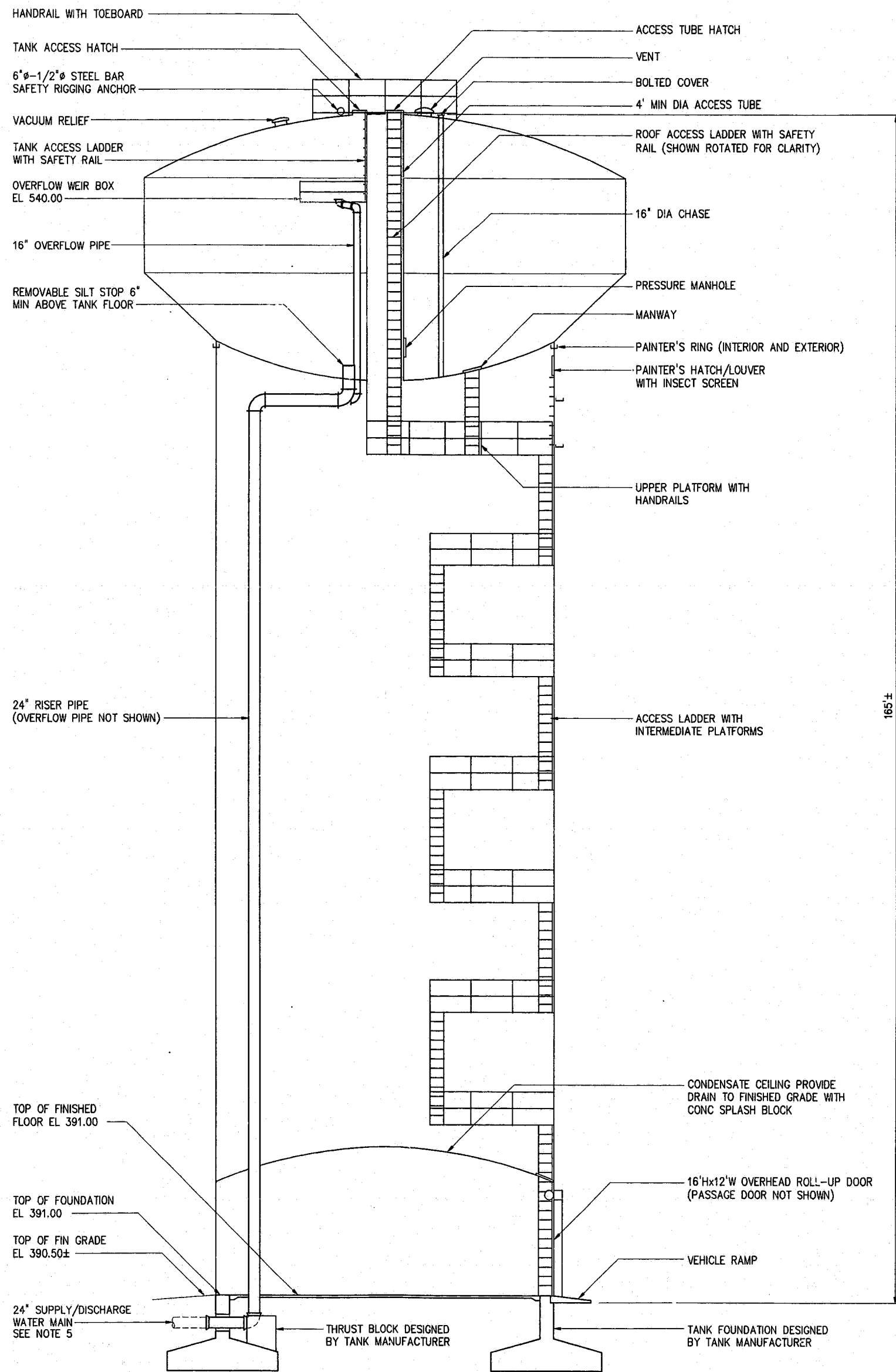
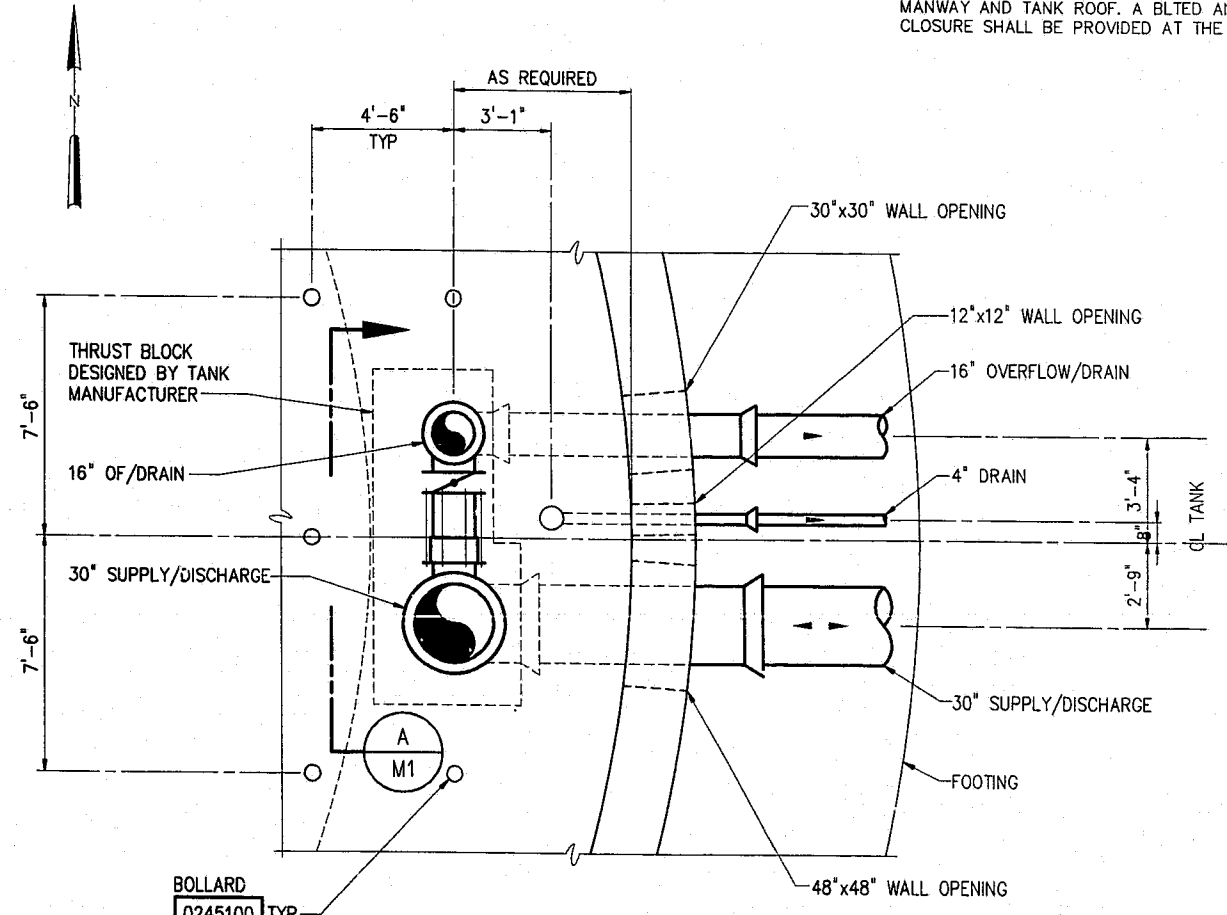


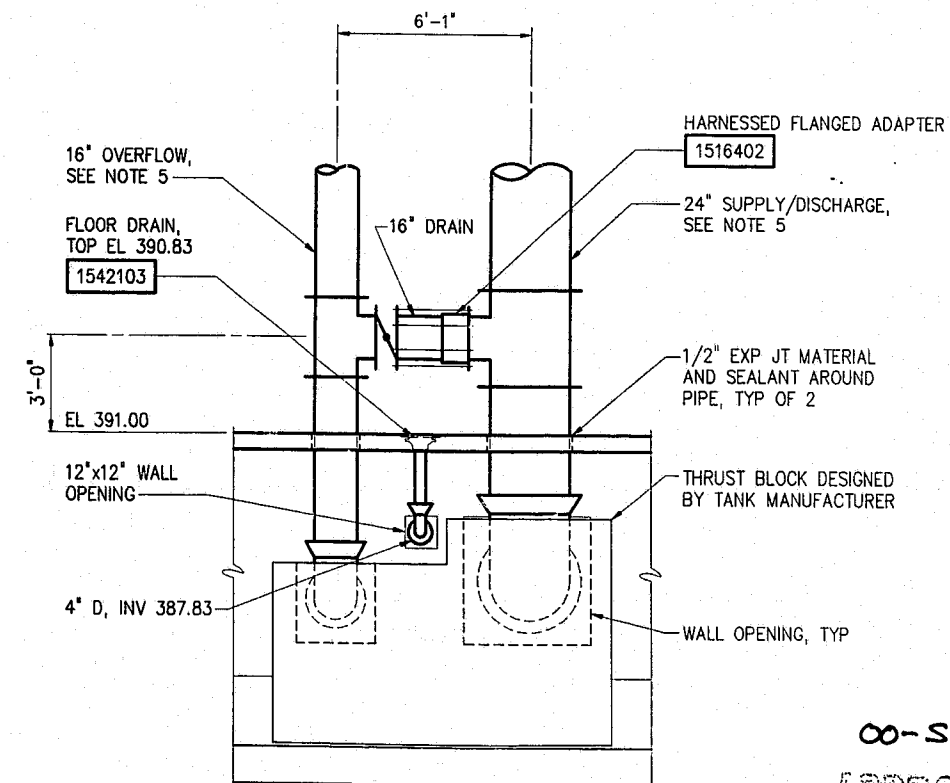
FLUTED COLUMN EXTERIOR
NTS



TANK AND PEDESTAL SECTION
NOT TO SCALE



PARTIAL PLAN
1/4"=1'-0"



SECTION A-M1
1/4"=1'-0"

- NOTES:
- 1 ALL APPURTENANCES SPECIFIED ARE NOT SHOWN. SOME ITEMS ARE SHOWN ROTATED FOR CLARITY.
 - 2 PAINTER'S ACCESS HATCH SHALL BE LOCATED IN LINE WITH THE ACCESS LADDER.
 - 3 ACTUAL TANK DIMENSIONS MAY VARY SLIGHTLY DEPENDING ON THE MANUFACTURER OF THE TANK PROVIDED.
 - 4 SEE DRAWING E2 FOR ELECTRICAL EQUIPMENT LOCATIONS.
 - 5 TO ALLOW FOR THE ANTICIPATED SETTLEMENT OF THE TANK FOUNDATION, THE CONTRACTOR SHALL CONSTRUCT/ERECT THE ENTIRE TANK TO ITS FULL HEIGHT PRIOR TO INSTALLING ANY PIPING CONNECTED TO THE TANK.
 - 6 A 6" STEEL CHASE SHALL BE PROVIDED BETWEEN THE MANWAY AND TANK ROOF. A BLT'D AND FLANGED CLOSURE SHALL BE PROVIDED AT THE ROOF LEVEL.

TANK COLOR TO BE HIDDEN LAKE BLUE AS MANUFACTURED BY TNEPEC, OR EQUAL

24" RISER PIPE (OVERFLOW PIPE NOT SHOWN)

TOP OF FINISHED FLOOR EL 391.00

TOP OF FOUNDATION EL 391.00

TOP OF FIN GRADE EL 390.50±

24" SUPPLY/DISCHARGE WATER MAIN SEE NOTE 5

ACCESS TUBE HATCH

VENT

BOLTED COVER

4' MIN DIA ACCESS TUBE

ROOF ACCESS LADDER WITH SAFETY RAIL (SHOWN ROTATED FOR CLARITY)

16" DIA CHASE

PRESSURE MANHOLE

MANWAY

PAINTER'S RING (INTERIOR AND EXTERIOR)

PAINTER'S HATCH/LOUVER WITH INSECT SCREEN

UPPER PLATFORM WITH HANDRAILS

ACCESS LADDER WITH INTERMEDIATE PLATFORMS

CONDENSATE CEILING PROVIDE DRAIN TO FINISHED GRADE WITH CONC SPLASH BLOCK

16"x12" W OVERHEAD ROLL-UP DOOR (PASSAGE DOOR NOT SHOWN)

VEHICLE RAMP

TANK FOUNDATION DESIGNED BY TANK MANUFACTURER

THRUST BLOCK DESIGNED BY TANK MANUFACTURER

THRUST BLOCK DESIGNED BY TANK MANUFACTURER

THRUST BLOCK DESIGNED BY TANK MANUFACTURER

THRUST BLOCK DESIGNED BY TANK MANUFACTURER

THRUST BLOCK DESIGNED BY TANK MANUFACTURER

THRUST BLOCK DESIGNED BY TANK MANUFACTURER

THRUST BLOCK DESIGNED BY TANK MANUFACTURER

THRUST BLOCK DESIGNED BY TANK MANUFACTURER

THRUST BLOCK DESIGNED BY TANK MANUFACTURER

THRUST BLOCK DESIGNED BY TANK MANUFACTURER

THRUST BLOCK DESIGNED BY TANK MANUFACTURER

THRUST BLOCK DESIGNED BY TANK MANUFACTURER

THRUST BLOCK DESIGNED BY TANK MANUFACTURER

THRUST BLOCK DESIGNED BY TANK MANUFACTURER

THRUST BLOCK DESIGNED BY TANK MANUFACTURER

THRUST BLOCK DESIGNED BY TANK MANUFACTURER

THRUST BLOCK DESIGNED BY TANK MANUFACTURER

THRUST BLOCK DESIGNED BY TANK MANUFACTURER

THRUST BLOCK DESIGNED BY TANK MANUFACTURER

THRUST BLOCK DESIGNED BY TANK MANUFACTURER

THRUST BLOCK DESIGNED BY TANK MANUFACTURER

THRUST BLOCK DESIGNED BY TANK MANUFACTURER

THRUST BLOCK DESIGNED BY TANK MANUFACTURER

THRUST BLOCK DESIGNED BY TANK MANUFACTURER

THRUST BLOCK DESIGNED BY TANK MANUFACTURER

THRUST BLOCK DESIGNED BY TANK MANUFACTURER

THRUST BLOCK DESIGNED BY TANK MANUFACTURER

THRUST BLOCK DESIGNED BY TANK MANUFACTURER

THRUST BLOCK DESIGNED BY TANK MANUFACTURER

THRUST BLOCK DESIGNED BY TANK MANUFACTURER

THRUST BLOCK DESIGNED BY TANK MANUFACTURER

THRUST BLOCK DESIGNED BY TANK MANUFACTURER

THRUST BLOCK DESIGNED BY TANK MANUFACTURER

THRUST BLOCK DESIGNED BY TANK MANUFACTURER

THRUST BLOCK DESIGNED BY TANK MANUFACTURER

THRUST BLOCK DESIGNED BY TANK MANUFACTURER

THRUST BLOCK DESIGNED BY TANK MANUFACTURER

THRUST BLOCK DESIGNED BY TANK MANUFACTURER

THRUST BLOCK DESIGNED BY TANK MANUFACTURER

THRUST BLOCK DESIGNED BY TANK MANUFACTURER

THRUST BLOCK DESIGNED BY TANK MANUFACTURER

THRUST BLOCK DESIGNED BY TANK MANUFACTURER

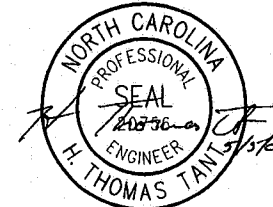
THRUST BLOCK DESIGNED BY TANK MANUFACTURER

THRUST BLOCK DESIGNED BY TANK MANUFACTURER

THRUST BLOCK DESIGNED BY TANK MANUFACTURER

THRUST BLOCK DESIGNED BY TANK MANUFACTURER

DESIGNED	KFC
DRAWN	JDN
CHECKED	HTT
PROJ ENGR	HTT
APPROVED	<i>[Signature]</i>
NO.	
2	CONSTRUCTION 5/00 HTT
1	REGULATORY APPROVAL 4/00 HTT
	ISSUED FOR DATE BY APPROVED



Hazen and Sawyer
Environmental Engineers & Scientists
4011 WestChase Blvd, Raleigh, North Carolina 27607

TOWN OF CARY, NC
ENGINEERING DIVISION
2 MG CARPENTER ELEVATED
WATER STORAGE TANK

MECHANICAL
PLAN AND SECTIONS

00-SP-047
APPROVED
JG 8/3/00
8/2/00

THE SCALE BAR SHOWN BELOW MEASURES ONE INCH LONG ON THE ORIGINAL DRAWING.	DATE	APRIL 2000
	H & S JOB NUMBER	2825
	CONTRACT NUMBER	1
	DRAWING NUMBER	M1
	SHEET	6 OF 20