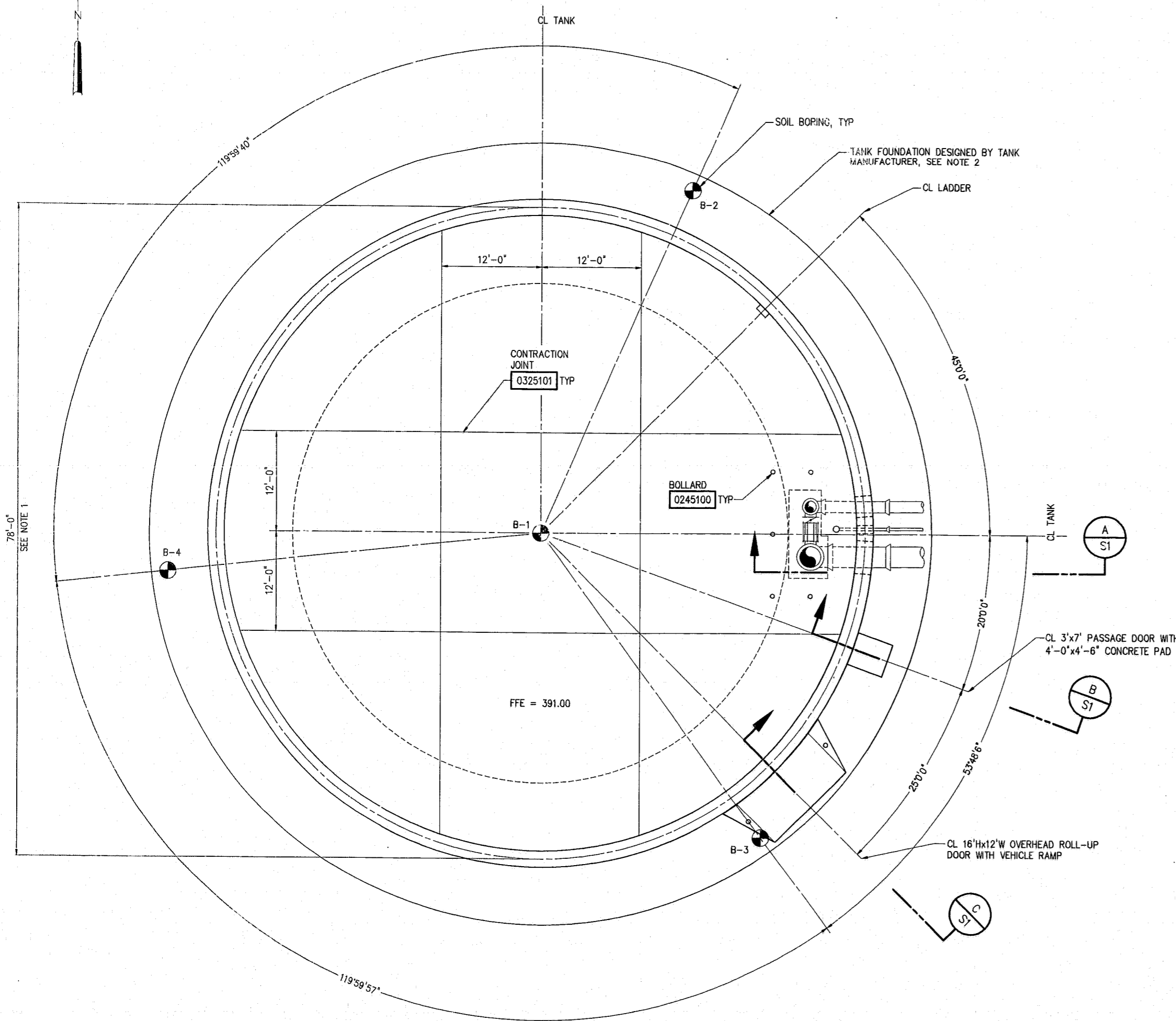
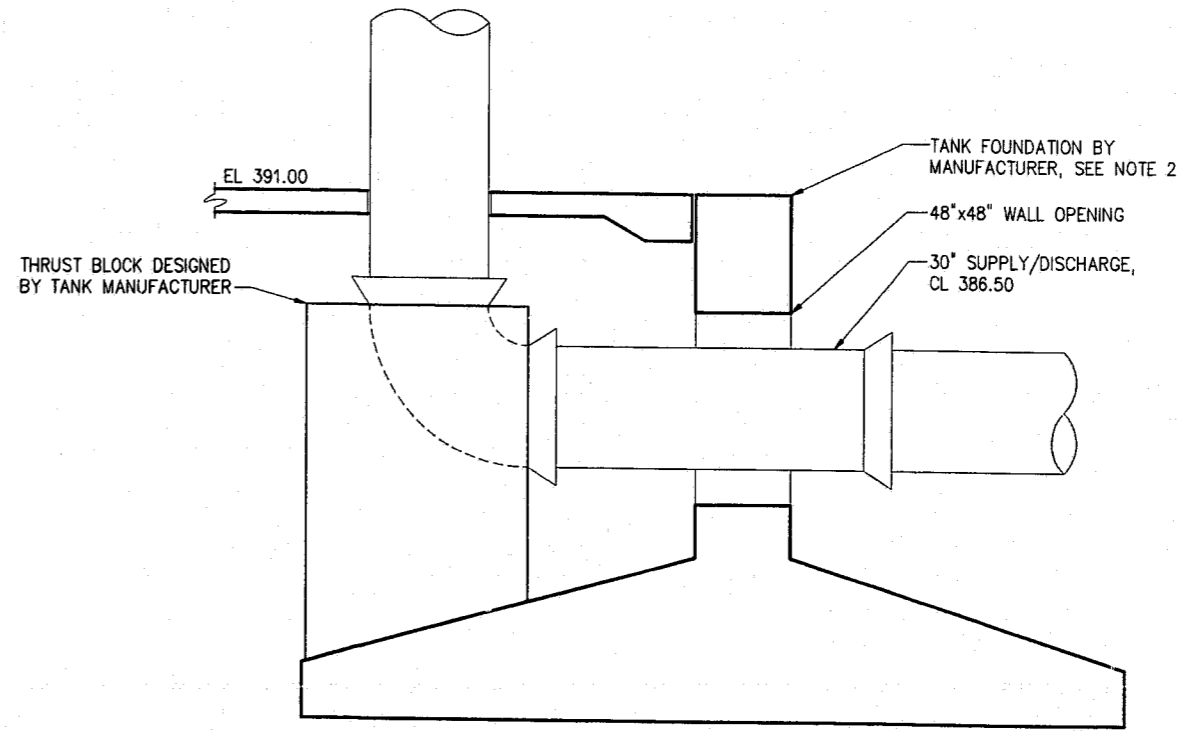


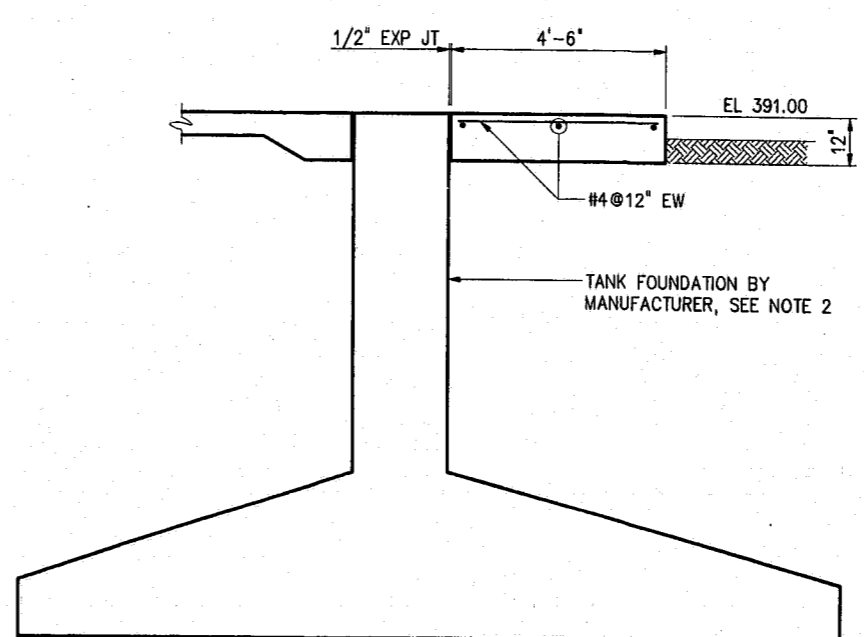
- NOTES:
1. ACTUAL TANK DIMENSIONS MAY VARY SLIGHTLY DEPENDING ON THE MANUFACTURER OF THE TANK PROVIDED.
 2. DEPTH OF TANK FOUNDATION SHALL BE PER MANUFACTURER'S DESIGN, BUT IN NO CASE SHALL THE BOTTOM OF THE FOUNDATION BE HIGHER THAN ELEVATION 386.00. IN THE LOCATION OF THE SUPPLY/DISCHARGE PIPE, THE FOOTING OF THE TANK FOUNDATION SHALL BE BELOW THE BOTTOM OF THE PIPE.



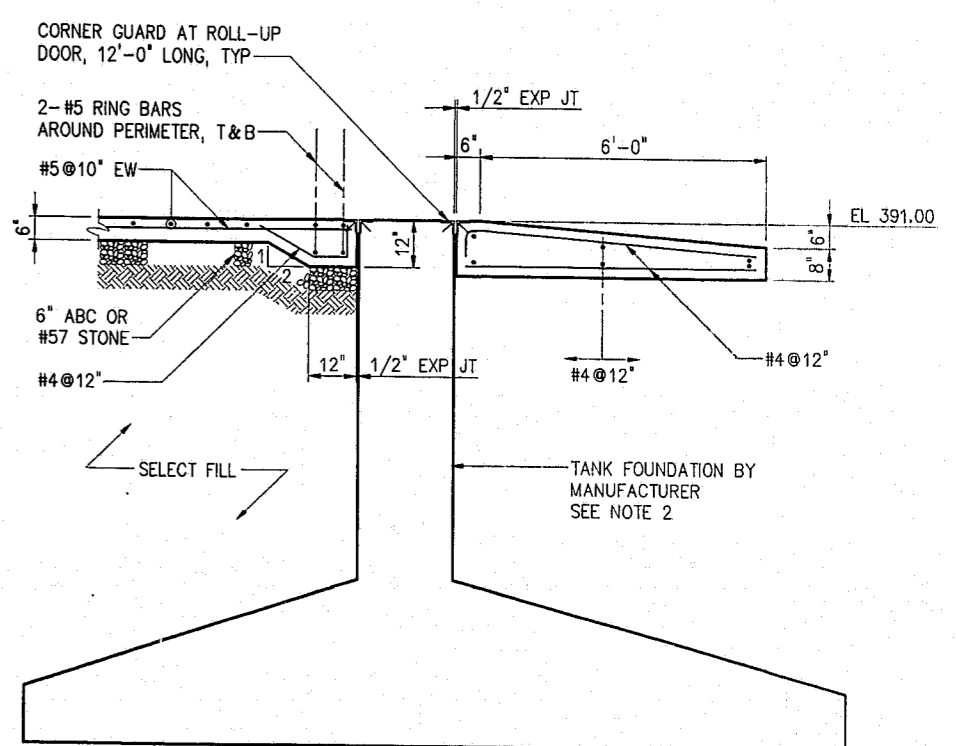
PLAN
1/8"=1'-0"



SECTION A-A
3/8"=1'-0"



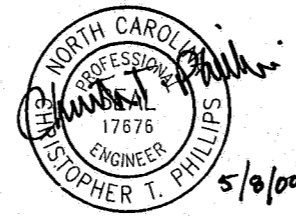
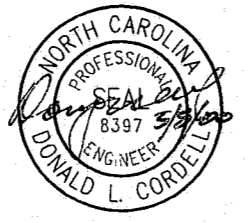
PASSAGE DOOR CONC PAD
SECTION B-B
3/8"=1'-0"



VEHICLE RAMP
SECTION C-C
3/8"=1'-0"

00-SF-047
APPROVED
JG-8/3/00
8/7/00

DESIGNED	CTP
DRAWN	WDR
CHECKED	CTP
PROJ. ENGR.	HTT
REGULATORY APPROVAL	4/00 HTT
ISSUED FOR	DATE BY APPROVED
NO.	



HAZEN AND SAWYER
Environmental Engineers & Scientists
4011 WestChase Blvd, Raleigh, North Carolina 27607

TOWN OF CARY, NC
ENGINEERING DIVISION
2 MG CARPENTER ELEVATED
WATER STORAGE TANK

STRUCTURAL
PLANS, SECTIONS AND DETAILS

THE SCALE BAR SHOWN BELOW MEASURES ONE INCH LONG ON THE ORIGINAL DRAWING.	DATE	APRIL 2000
	H & S JOB NUMBER	2825
	CONTRACT NUMBER	1
	DRAWING NUMBER	S1
SHEET 8 OF 20		